

brixton series

cube planter

cube twenty

19"L x 19"W x 19.75"H

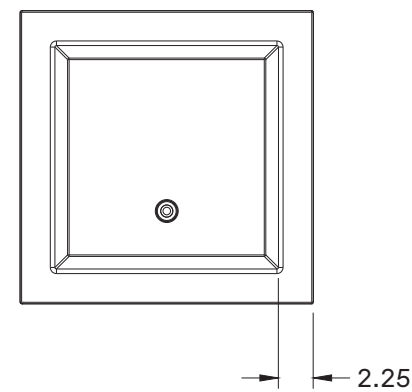
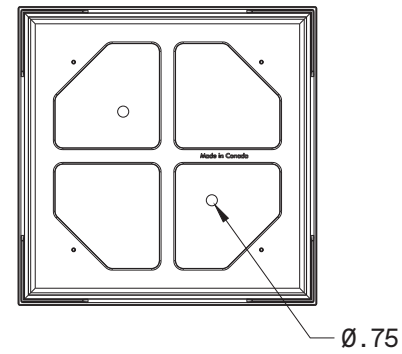
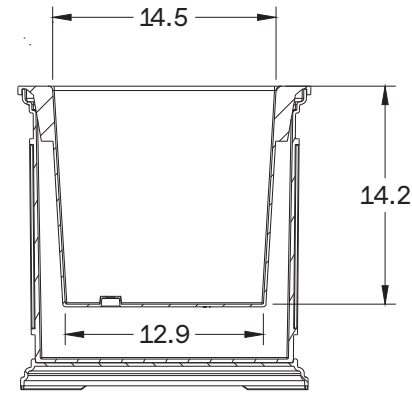
Weight: 24 lbs

Capacity: 11.5 gal | 43.8L

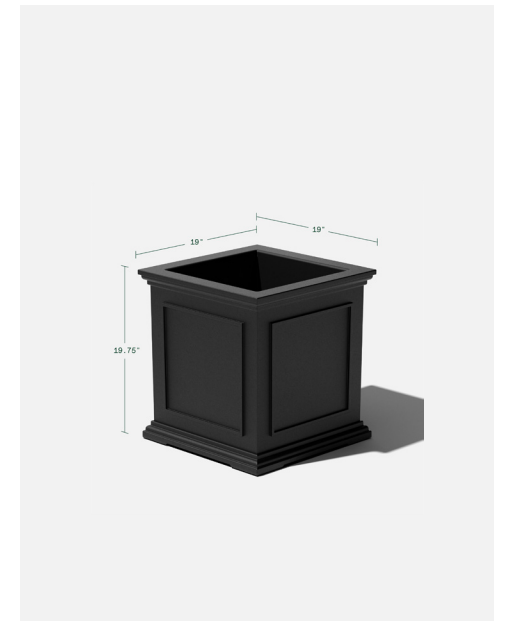
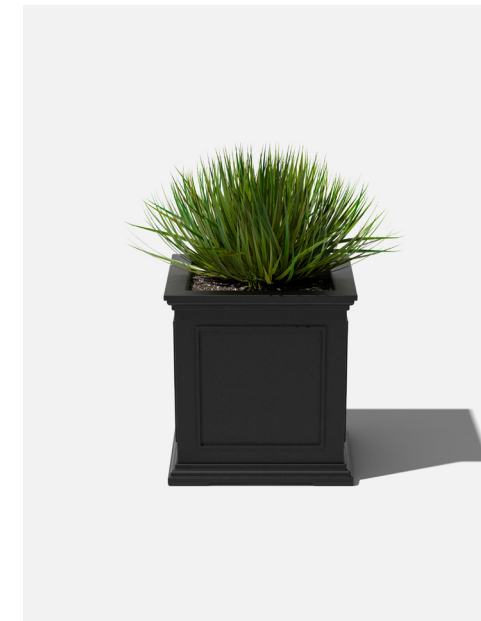
Hardware Included



Phillips Rounded Head
Thread-Forming Screw
Number 10 Size, 1/2" Long



Interior Dimensions



Exterior Dimensions

black



white



gray



materials

durable polypropylene construction

made in canada

features

all-weather resistant

drainage holes

crack proof

5 year limited warranty

fade resistant

scratch resistant