




PARTS

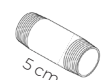
Item B  **X4**

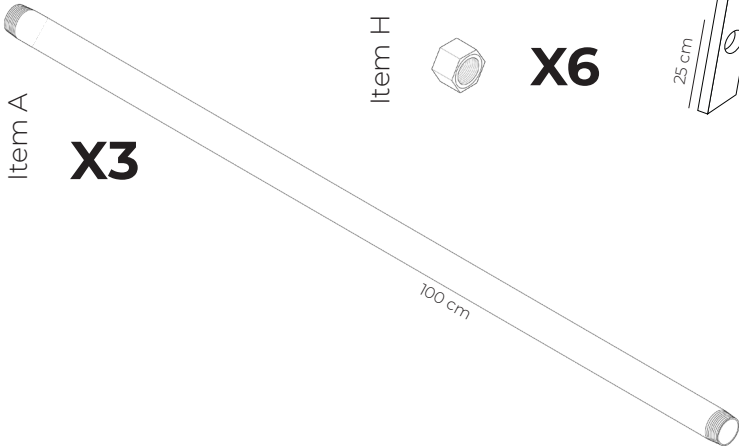
Item C  **X4**


Item D  **X2**
15 cm

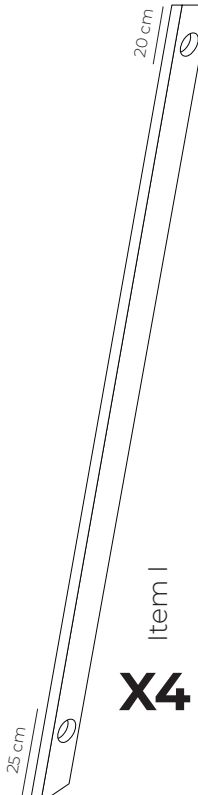
Item E  **X2**

Item F  **X2**

Item G  **X2**
5 cm

Item A  **X3**
100 cm

Item H  **X6**

Item I  **X4**
25 cm
20 cm

OBS. Please be aware that the pipes might be dirty. Please apply the gloves attached.

The Rackbuddy rack can be assembled manually by hand, we do although recommend you use proper tools in order to achive best possible stability and result.

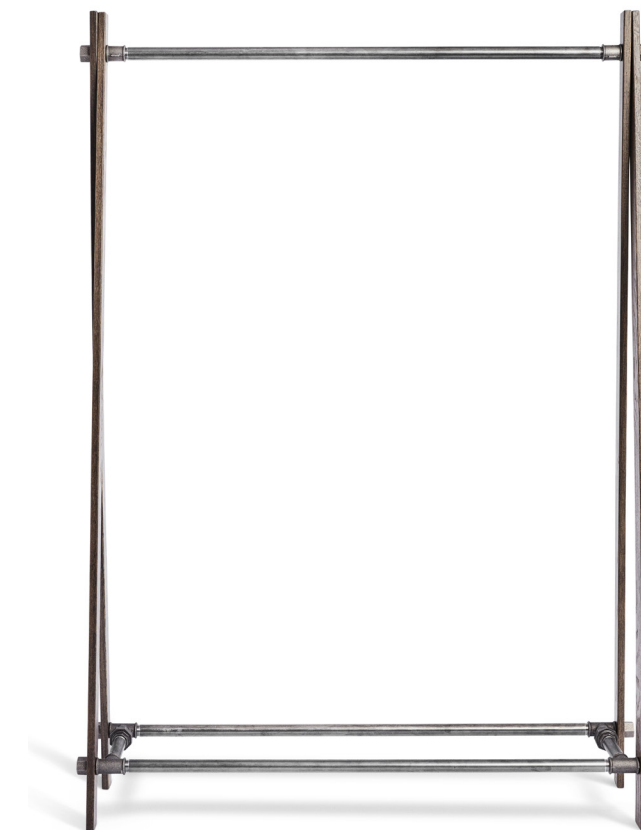
Once Rackbuddy rack has been assembled, remember to wipe it clean before use.



**Rack
Buddy**
rackbuddy.com

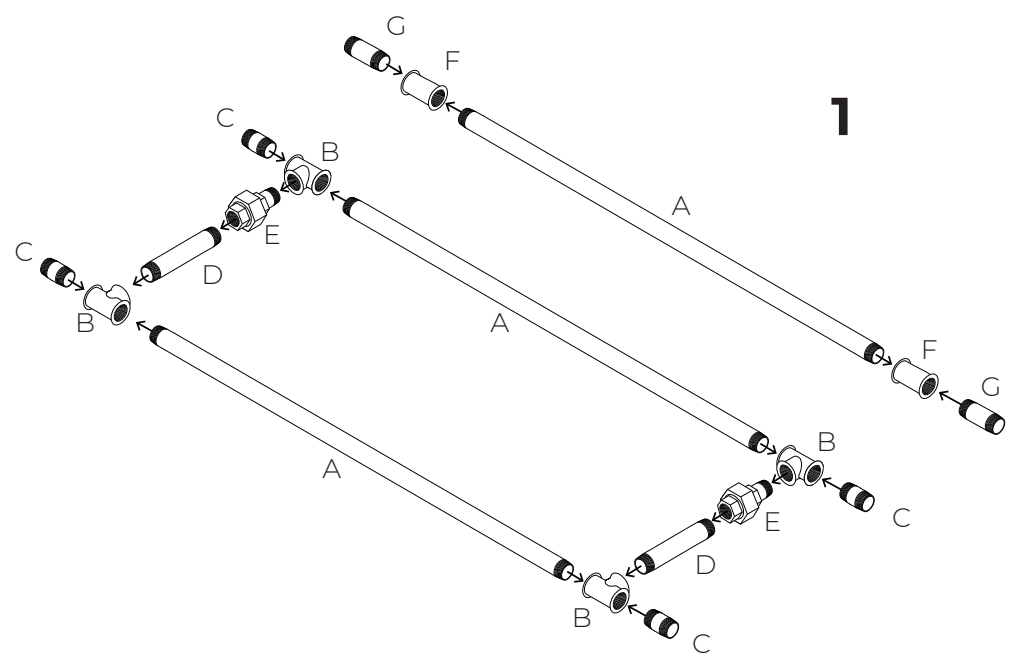


NORDIC

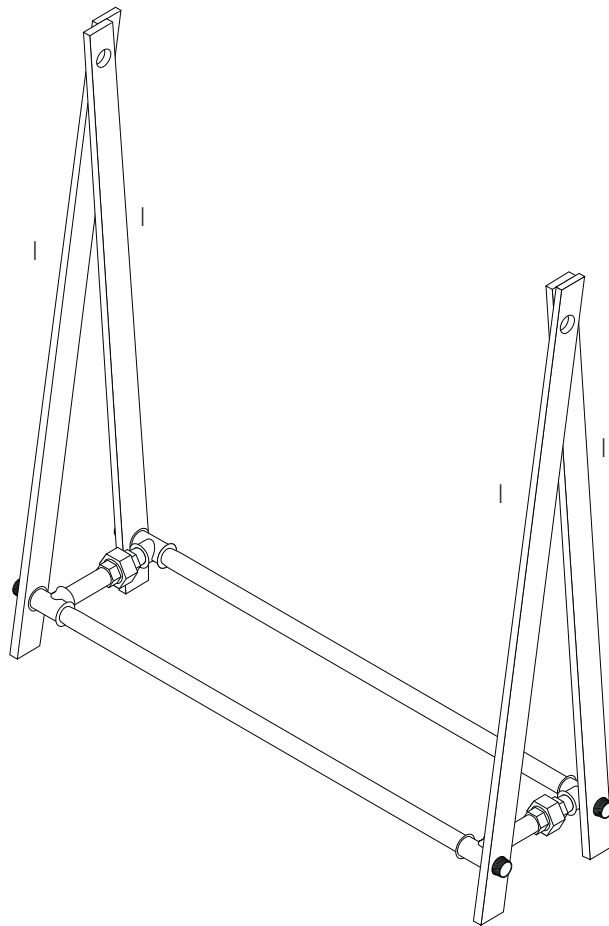


Please follow assembly instructions to make sure your rackbuddy experience will serve you the way you deserve.

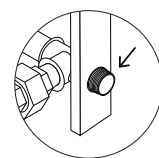
INSTRUCTIONS



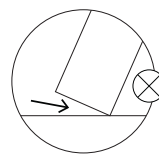
1



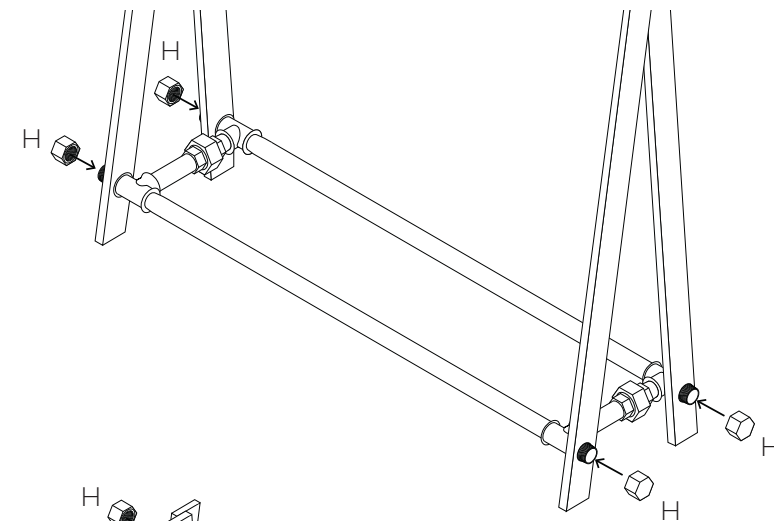
2



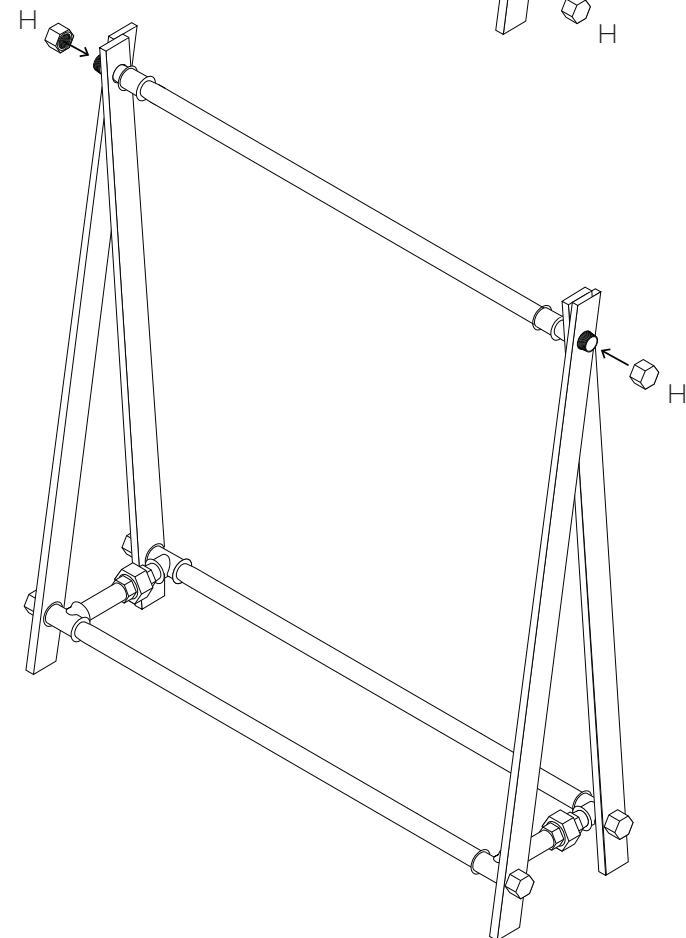
Unwind the pipe til there's enough room for the end piece to be put back on.



The lower end of the planks should be alligned with the floor.



3



4