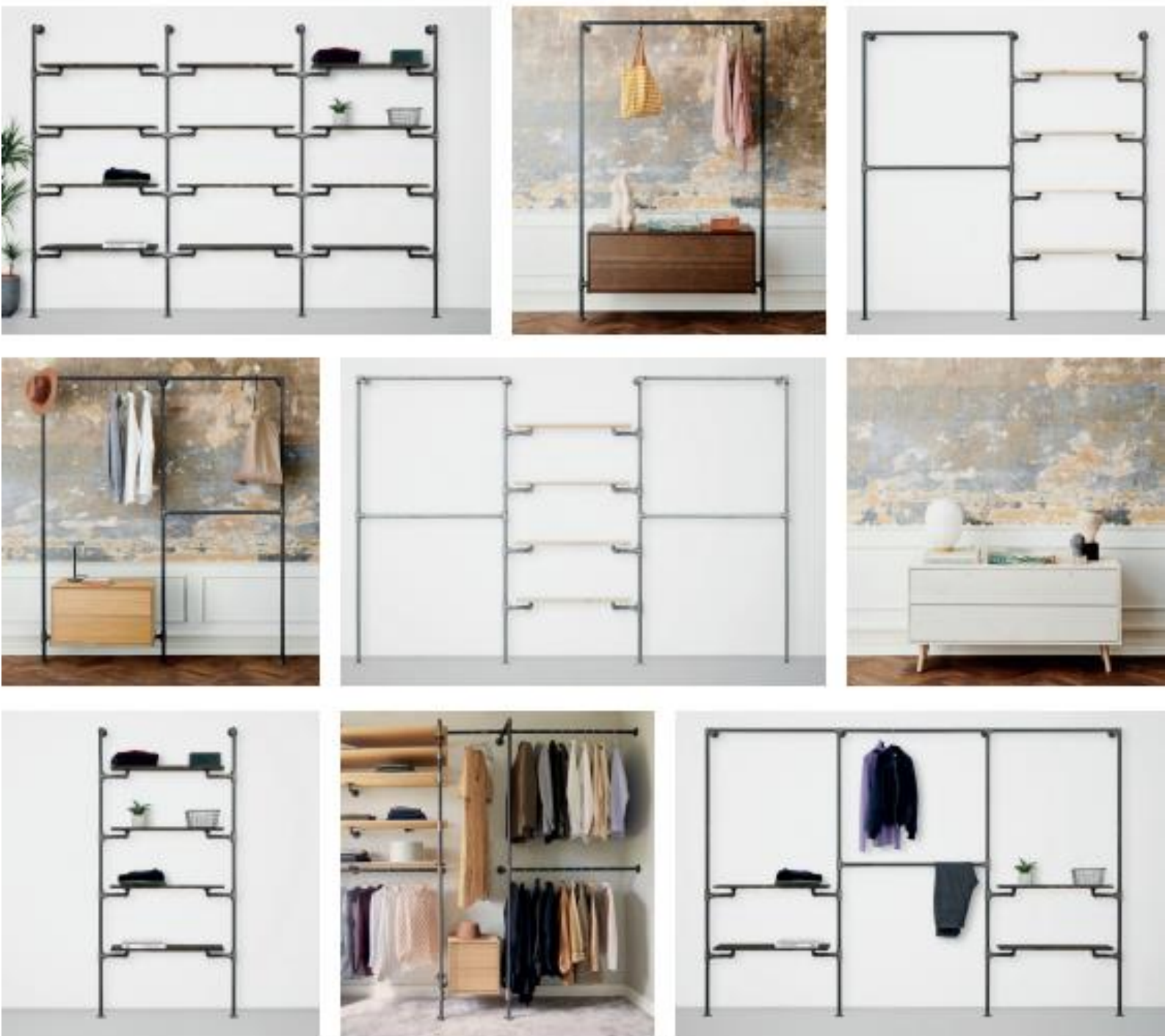


THE WALK IN



Examples of combinations

Please follow the assembly instructions to make sure your RackBuddy experience will serve you the way you deserve.

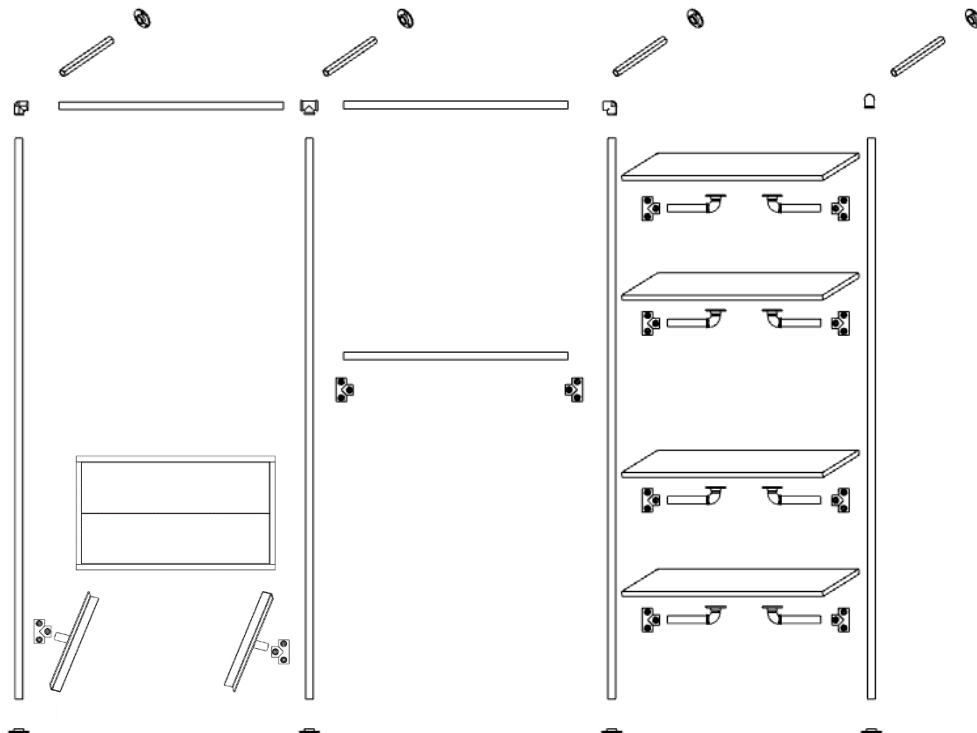
**Rack
Buddy**

INSTRUCTIONS

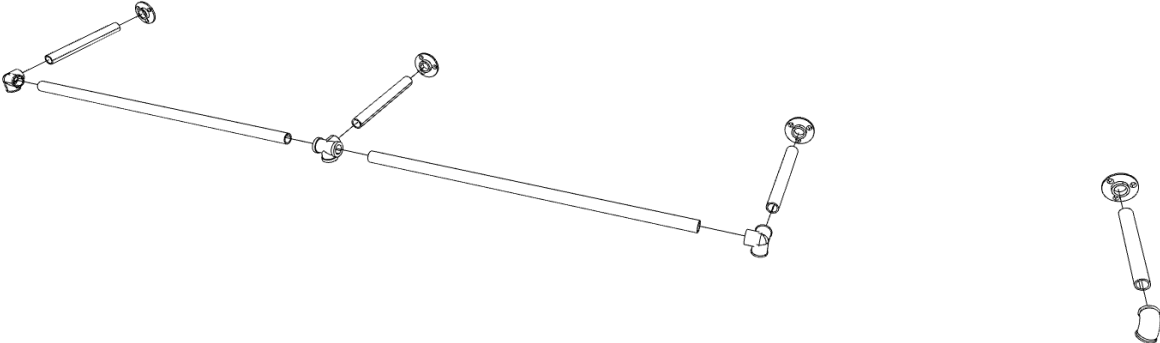
1 Open picture of your walk-in as a reference



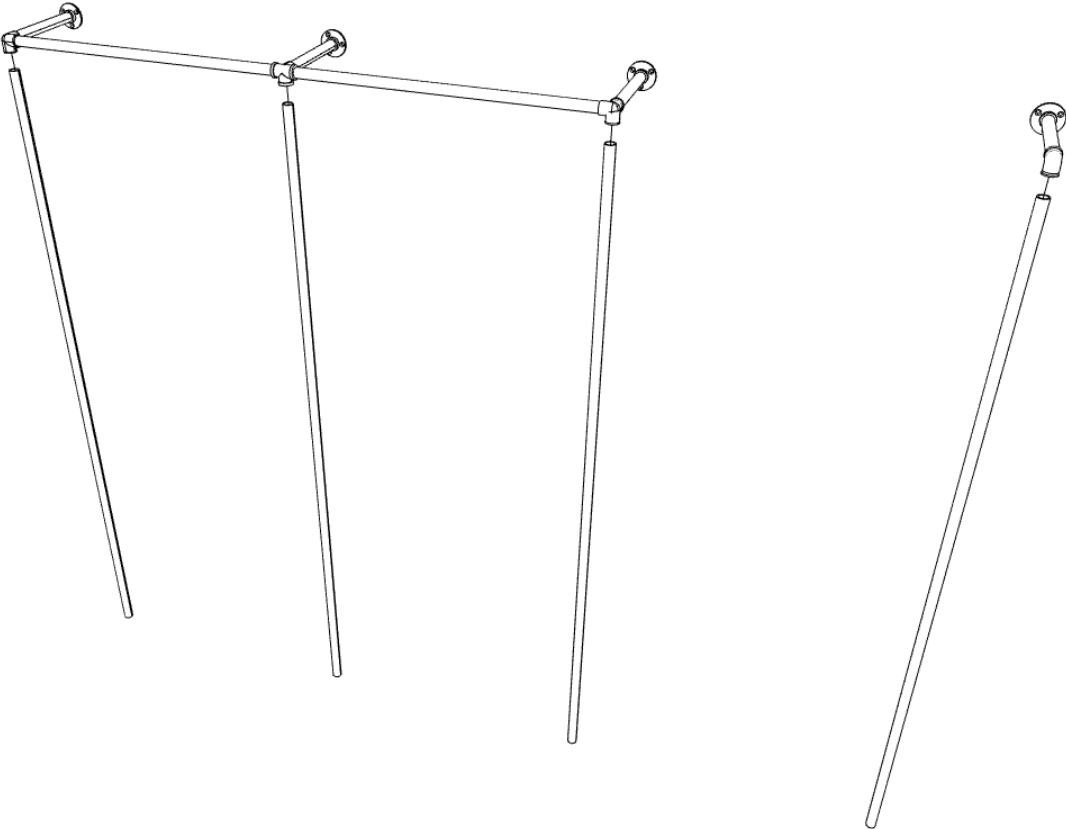
2 Using the reference lay all parts down on the floor



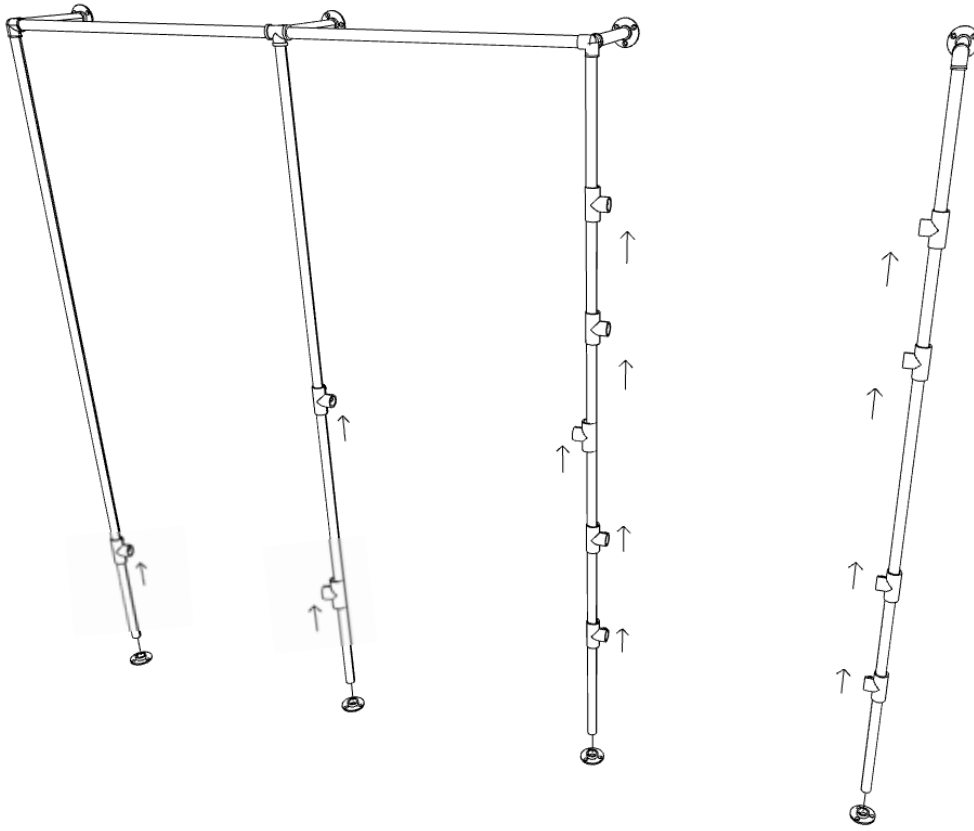
3 Start to assemble top row



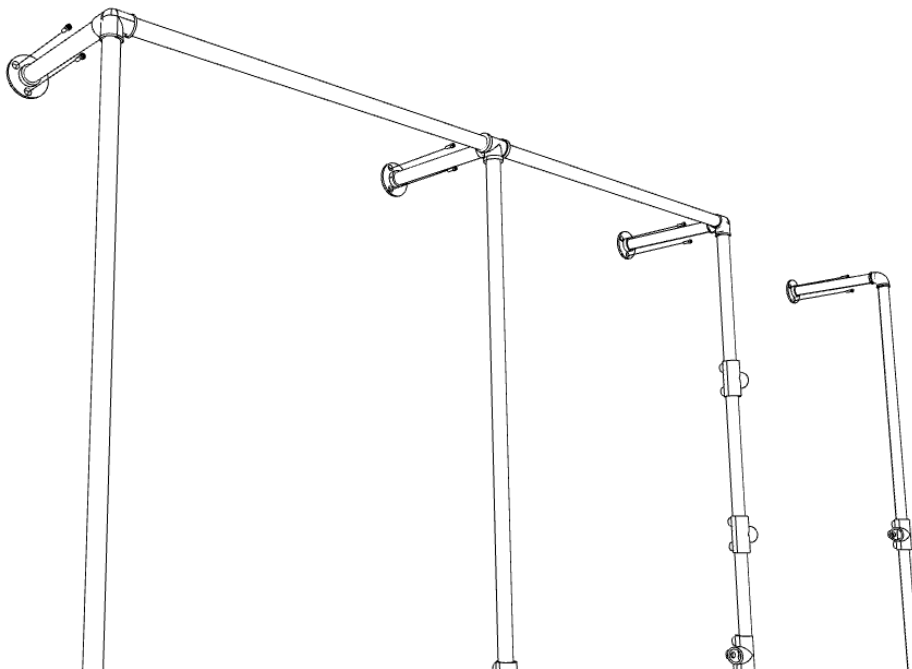
4 Add vertical pipes



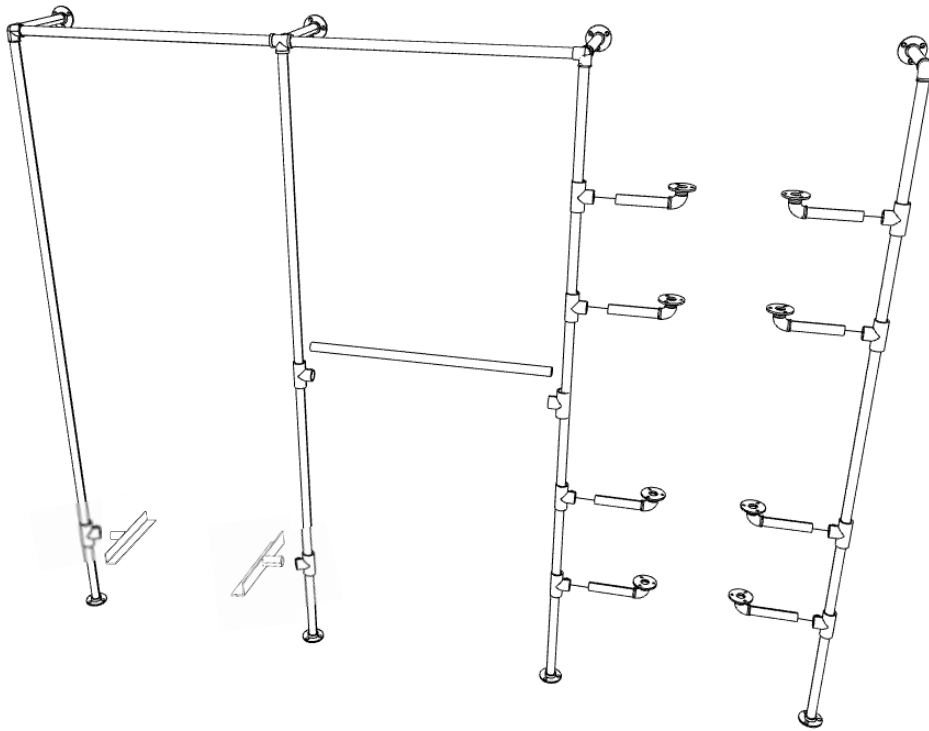
5 Slide on tees and close of with flange



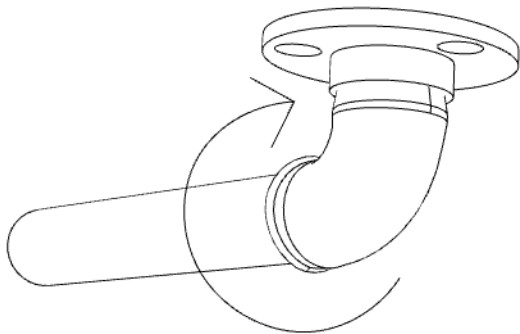
6 Mount into wall



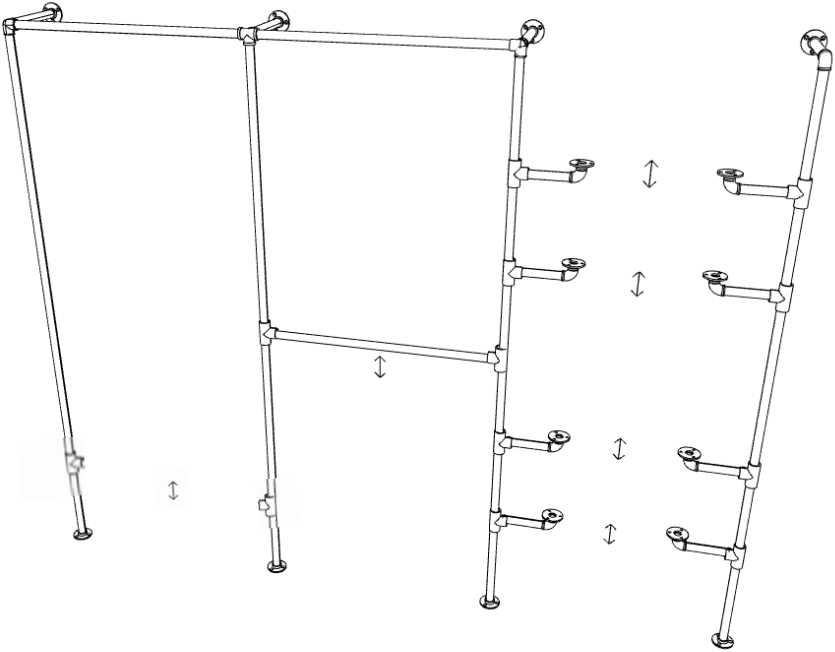
7 Add pipes, shelf supports or supports for dresser



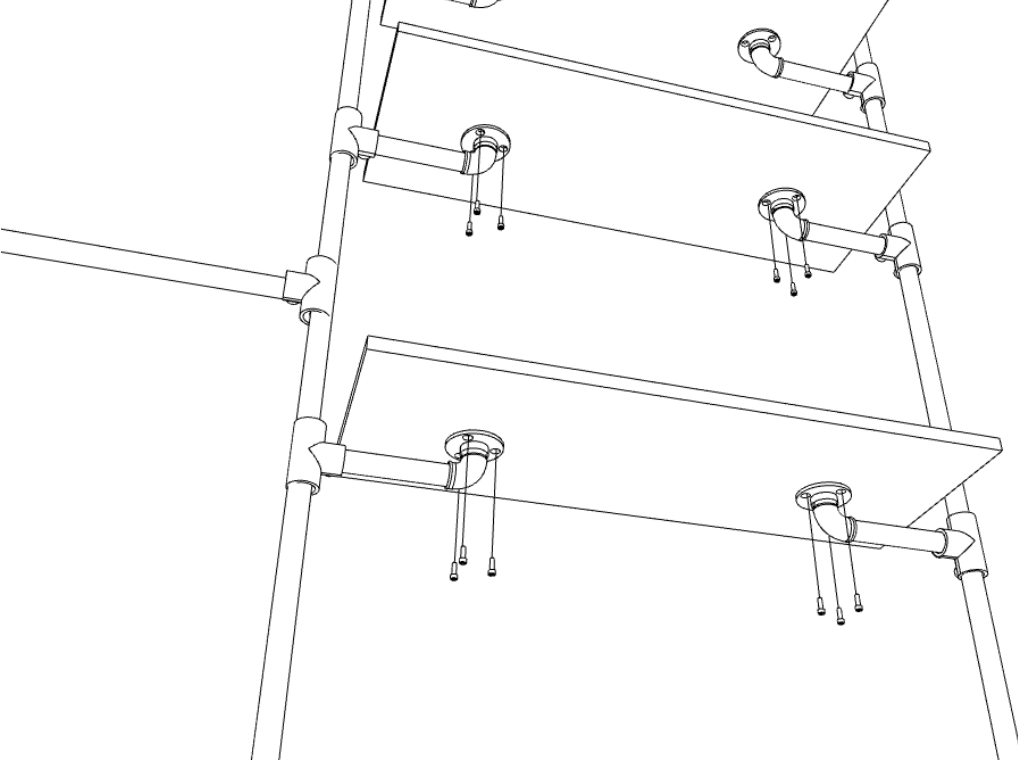
Make sure that corner on shelf support is screwed on tightly



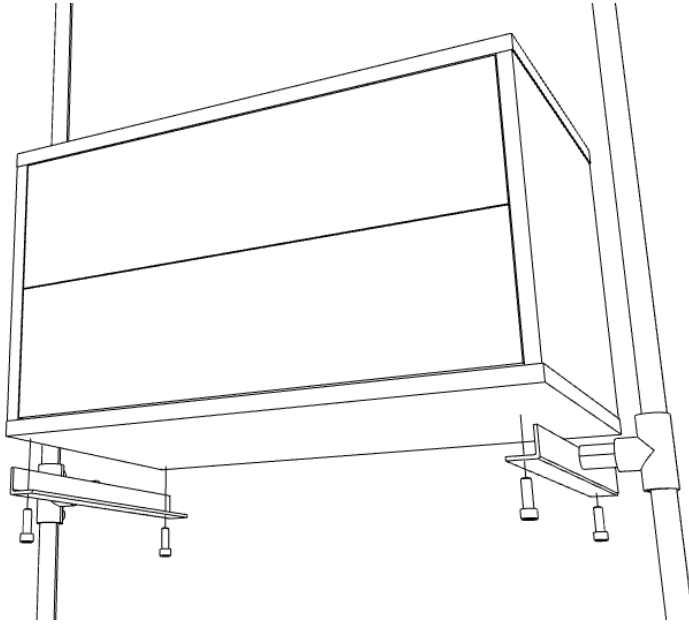
8 Adjust height



9 Mount shelves



10 Build dresser according to guide below and add to rack



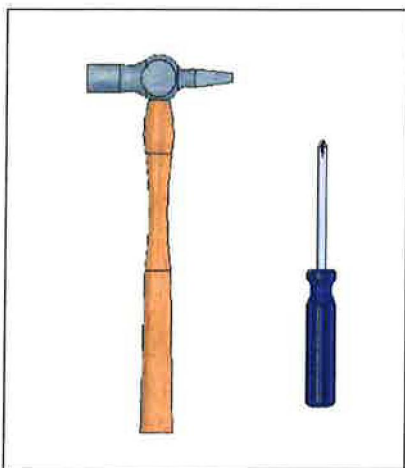
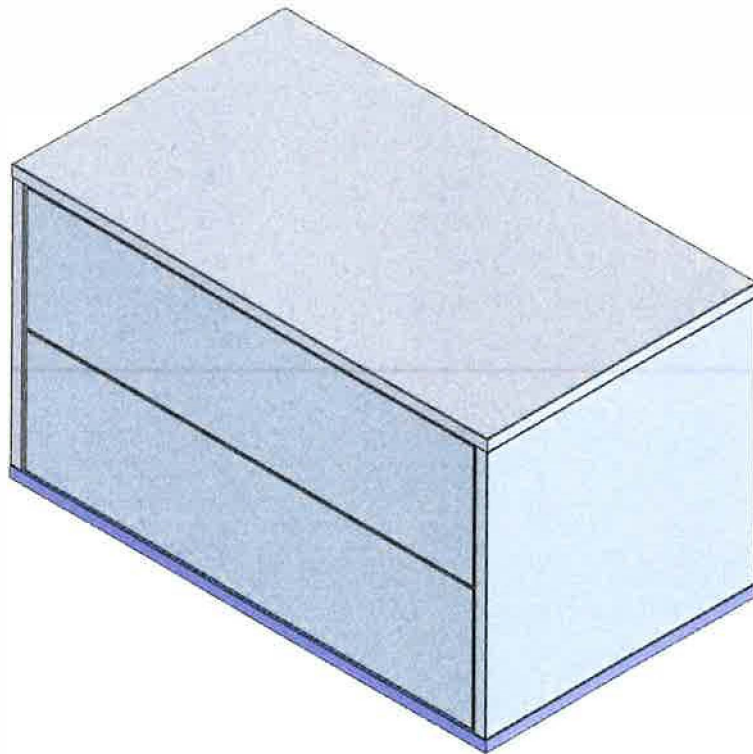
11 Add your items and enjoy!



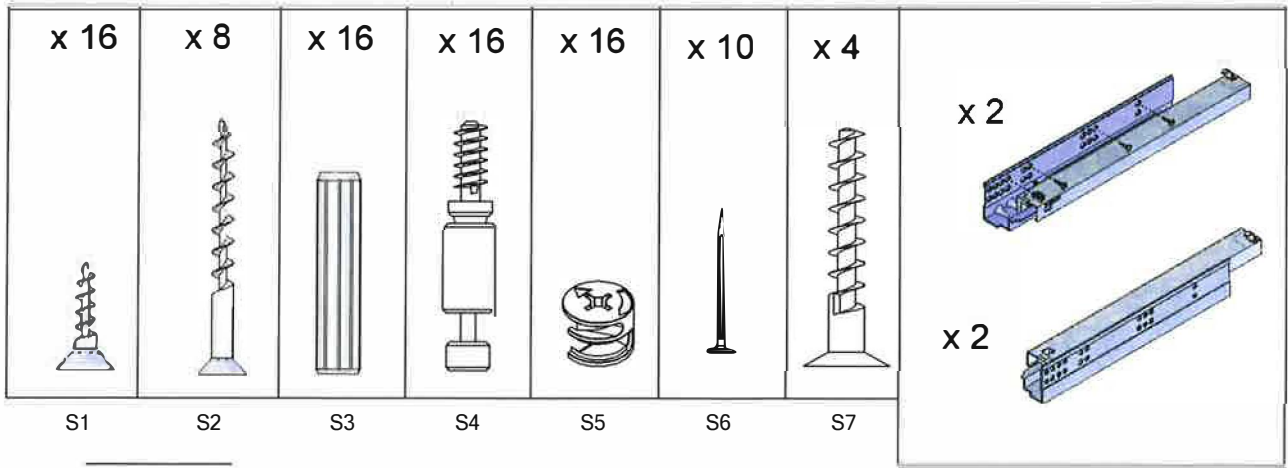
RackBuddy Kuber



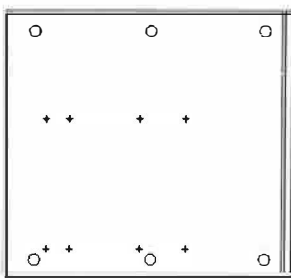
Assembly guide 400 / 700 / 1100



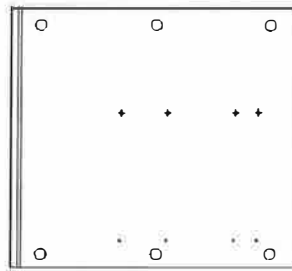
Content of the package - Kube 400 / 700 / 1100



Side V



Side H



Top



x 2 Drawer front side



Bottom



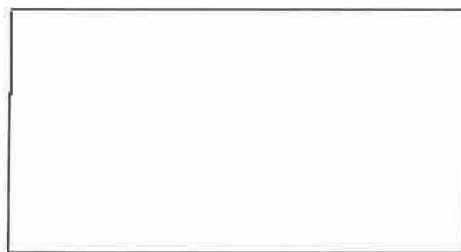
x 2 Drawer back side



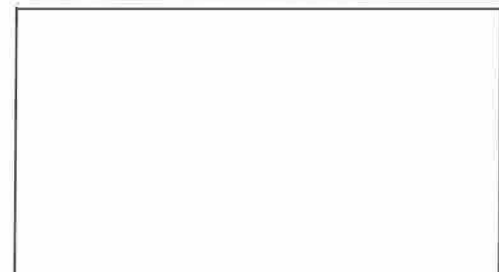
x 2 Drawer side H



x 2 Drawer bottom



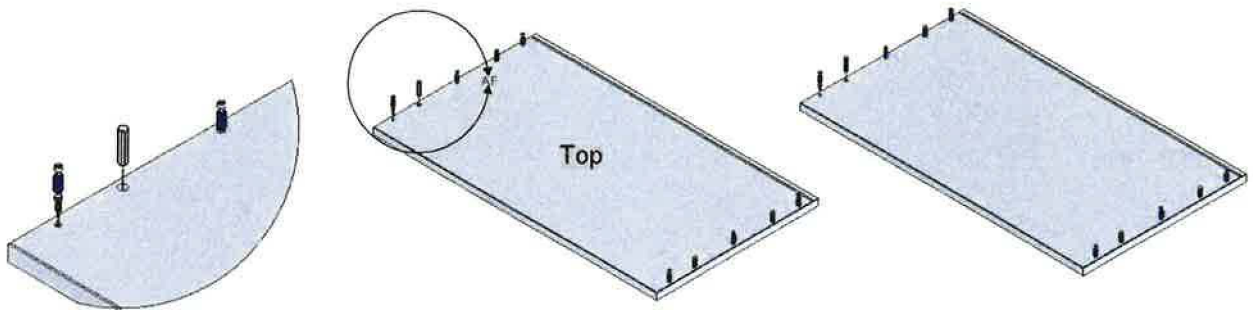
Rear cover



x 2 Drawer side V

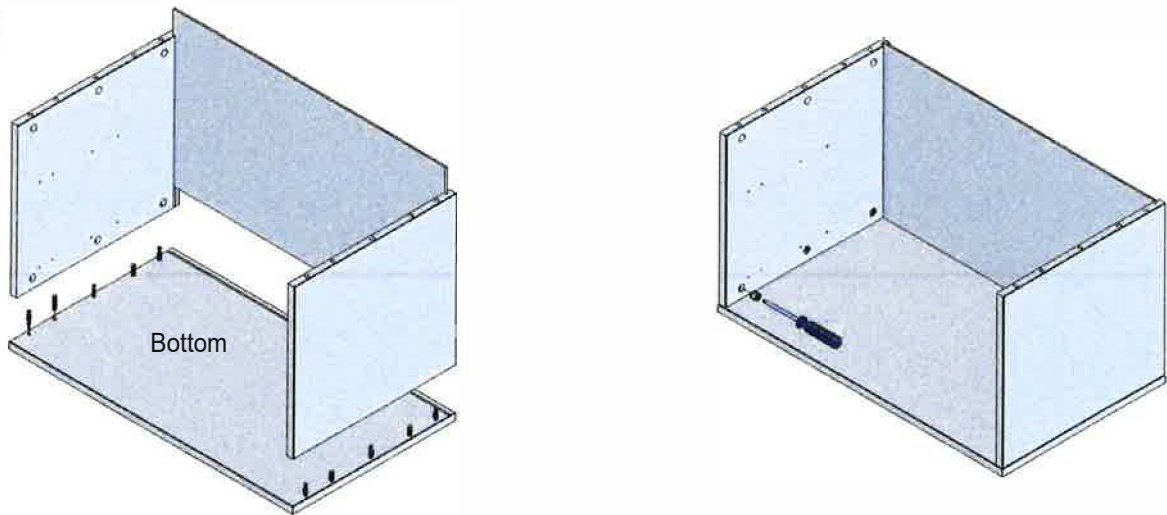


1

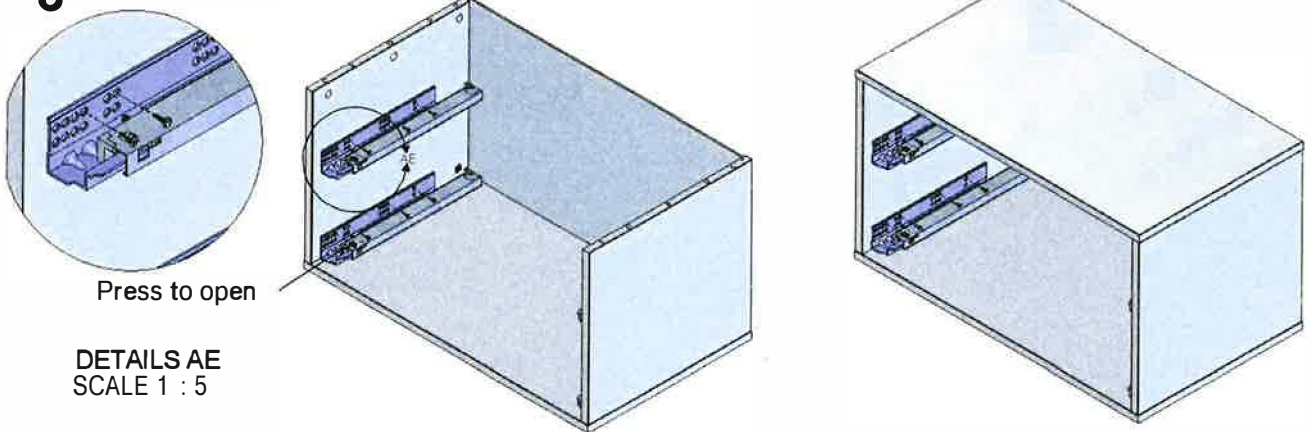


DETAILS AF
SCALE 1 : 5

2



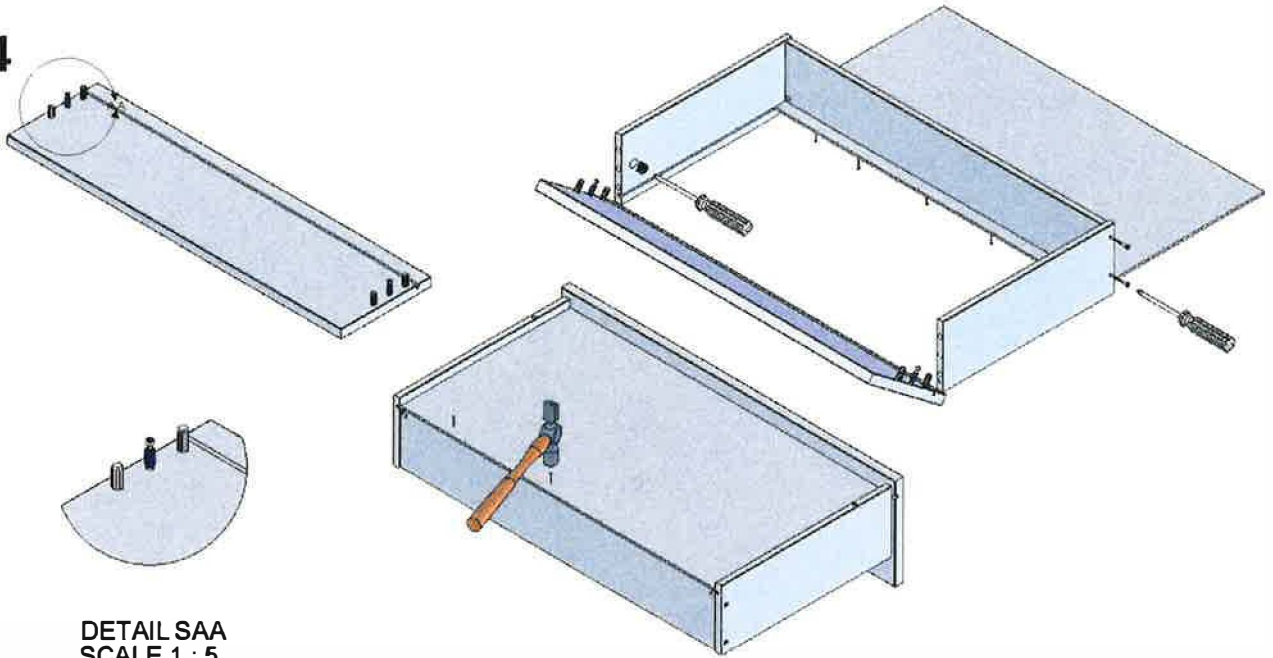
3



Press to open

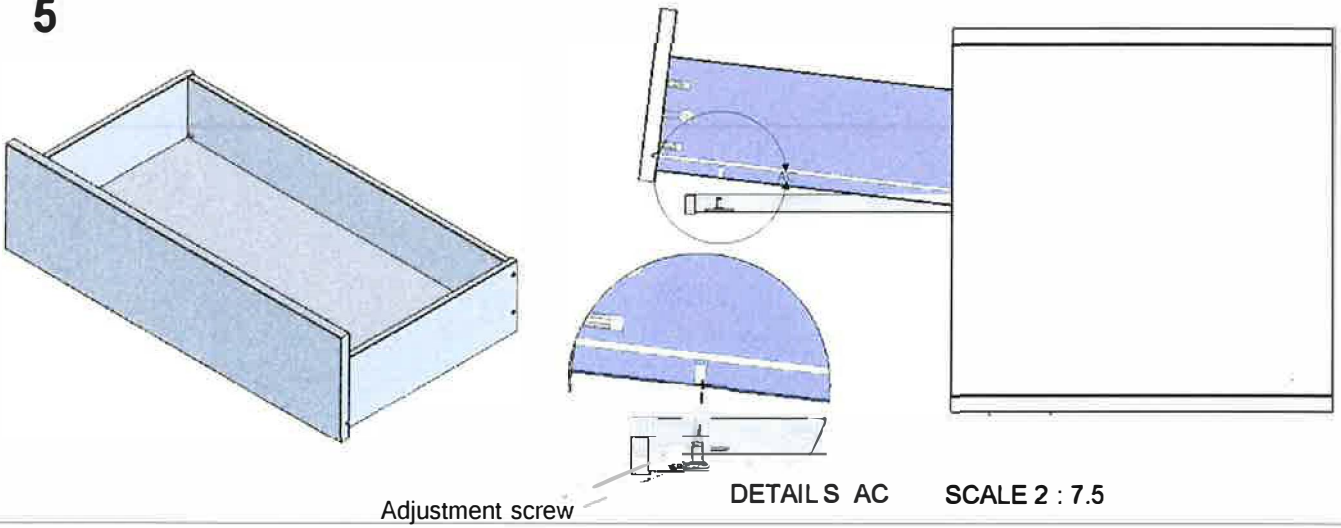
DETAILS AE
SCALE 1 : 5

4



DETAIL SAA
SCALE 1 : 5

5



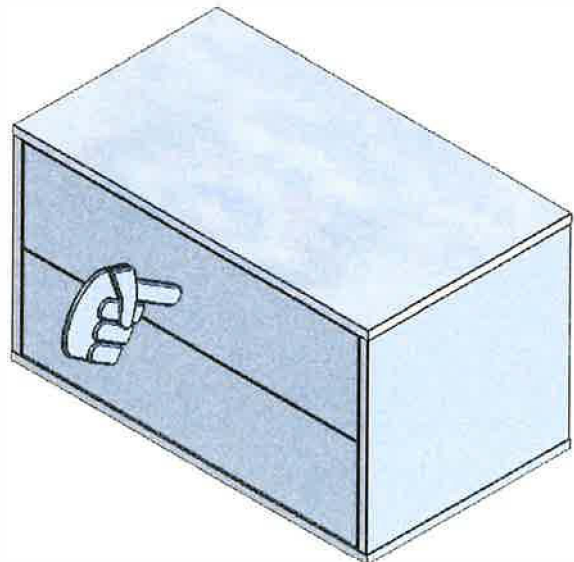
Adjustment screw

DETAILS AC

SCALE 2 : 7.5




6

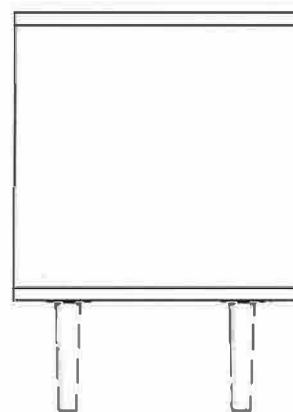
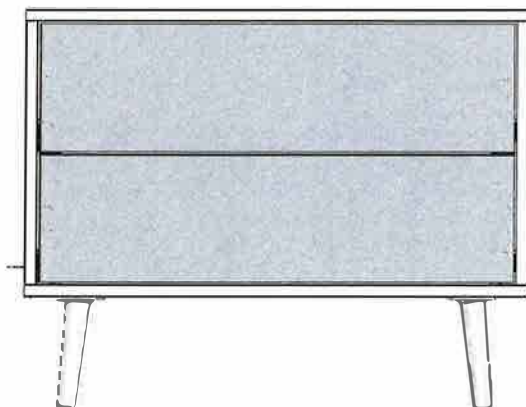
Push center to open correct



Kube w legs - Kube 400 / 700 / 1100



<p>x 4 Leg</p> 	<p>x 4 Leg console</p> 	<p>x 16 Screw</p> 
--	--	--



Kube w fittings 400 / 700 / 1100

Wpisz nazwę części lub numer katalogowy

