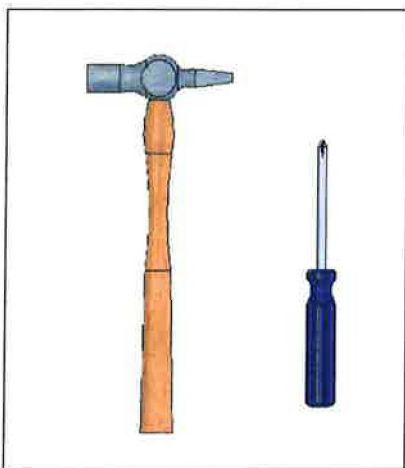
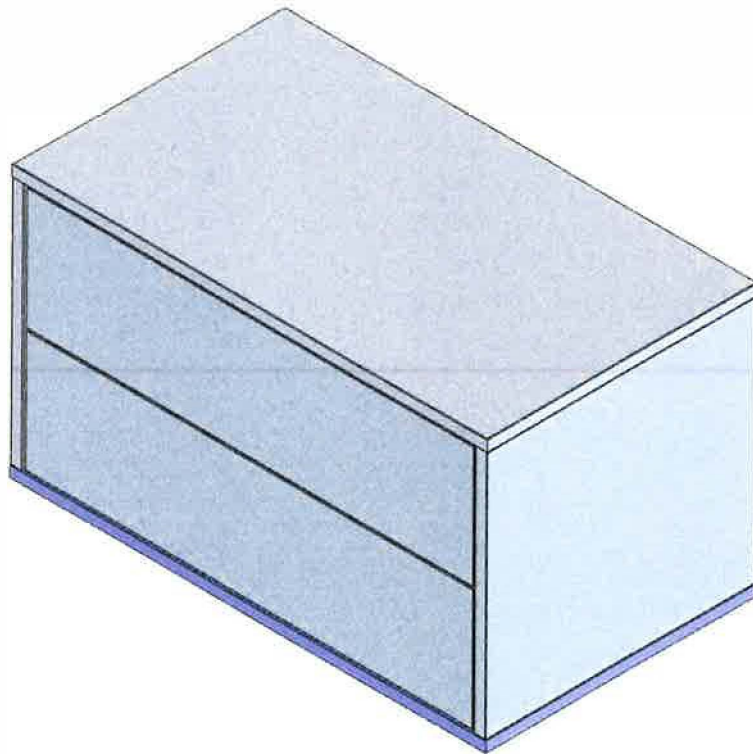


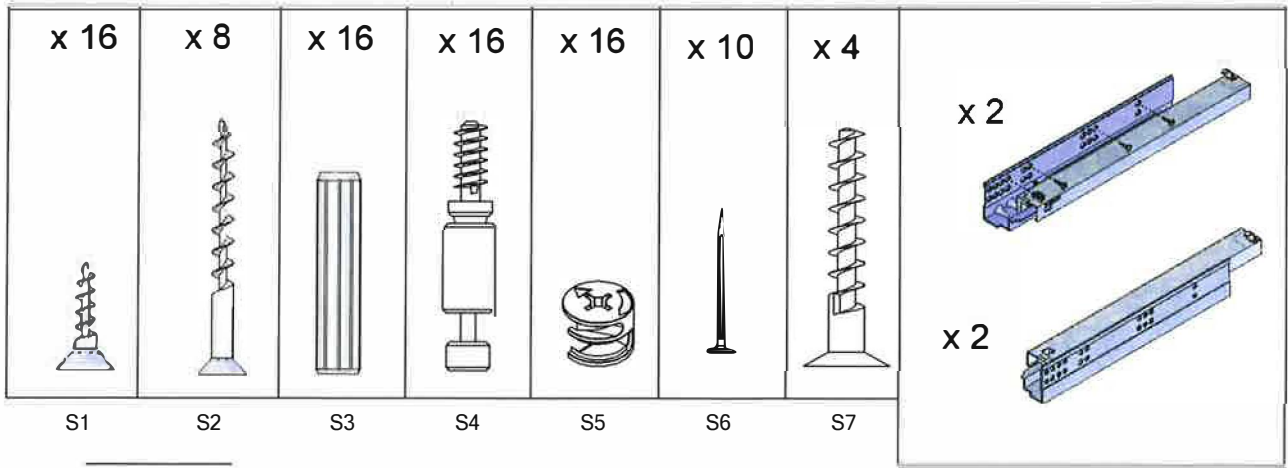
# RackBuddy Kuber



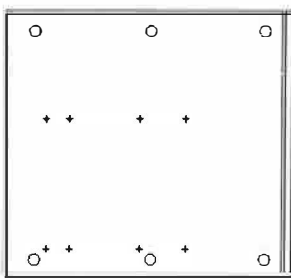
Assembly guide 400 / 700 / 1100



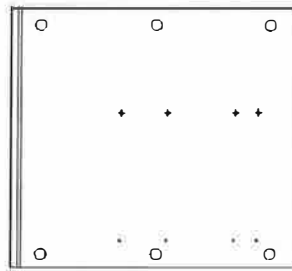
# Content of the package - Kube 400 / 700 / 1100



Side V



Side H



Top



x 2 Drawer front side



Bottom



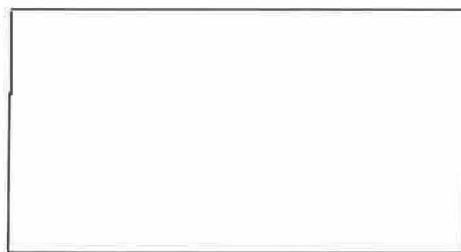
x 2 Drawer back side



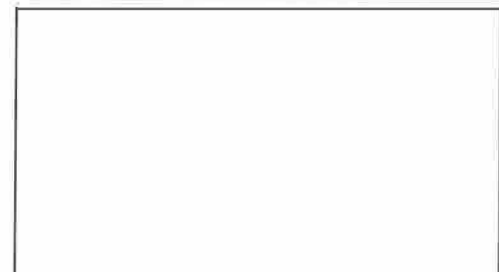
x 2 Drawer side H



x 2 Drawer bottom



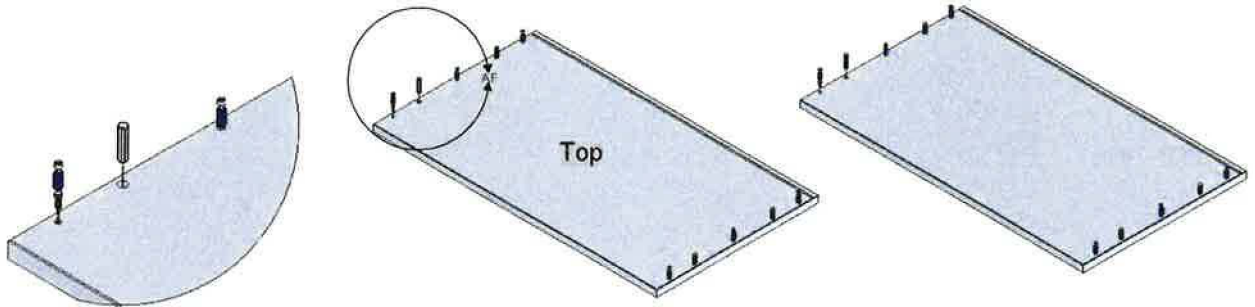
Rear cover



x 2 Drawer side V

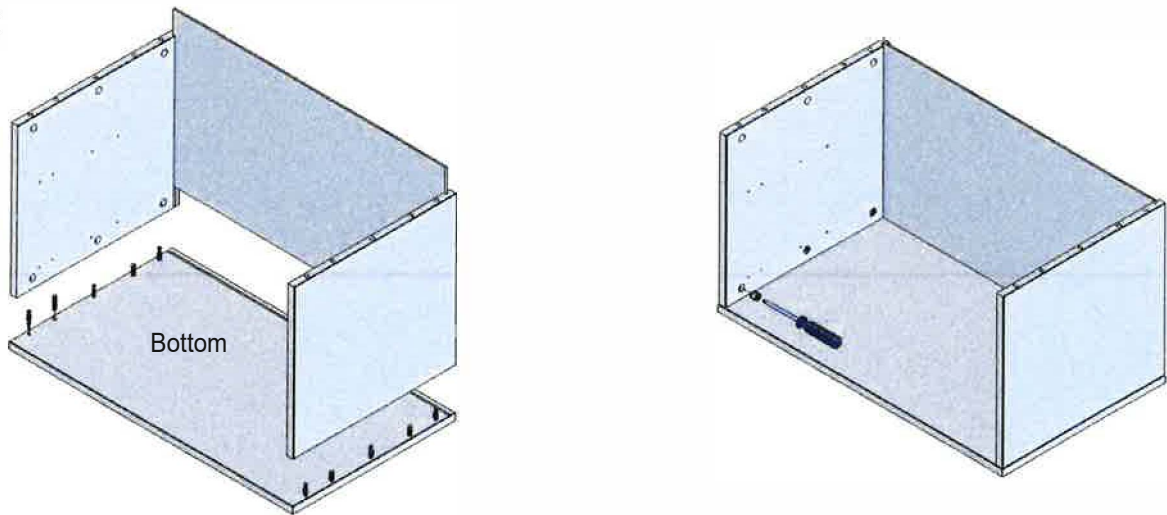


1

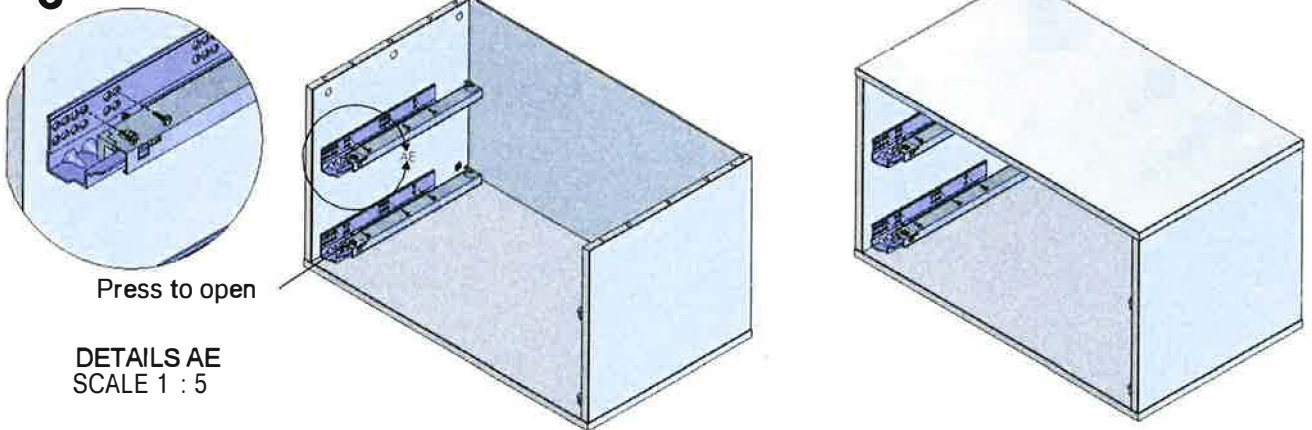


DETAILS AF  
SCALE 1 : 5

2

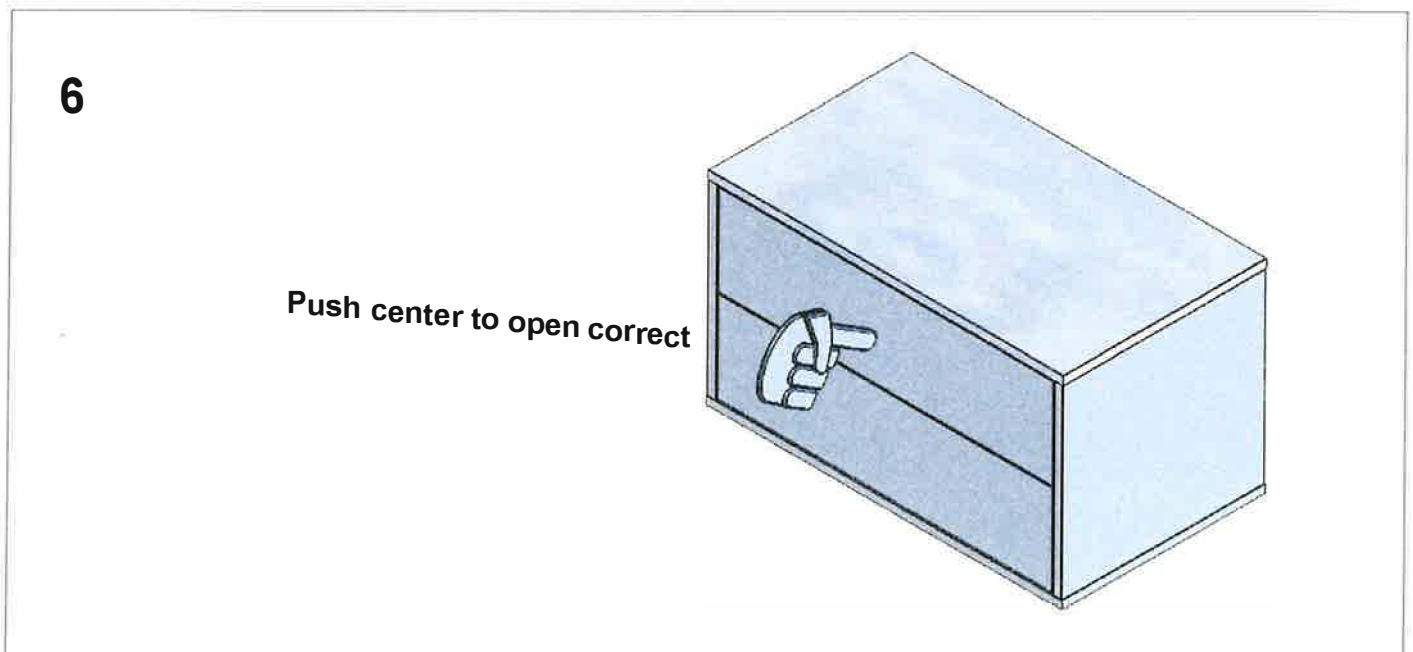
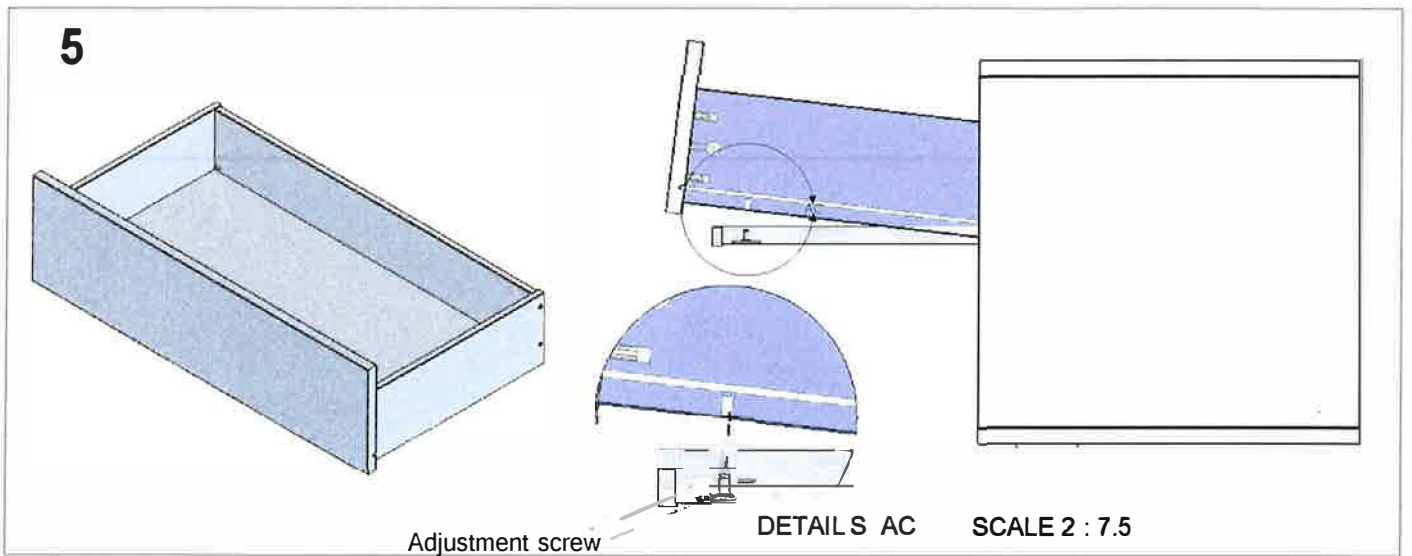
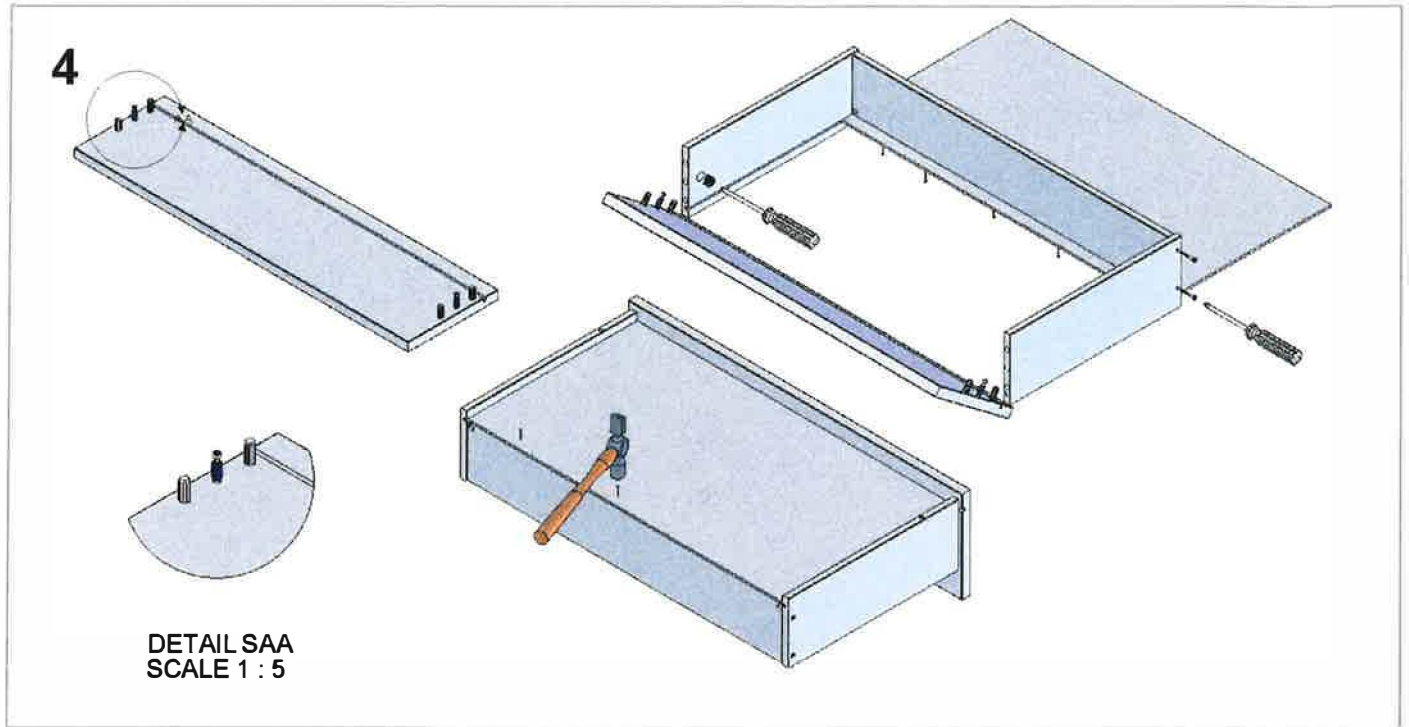


3






Press to open

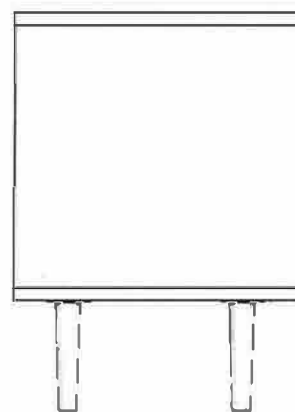
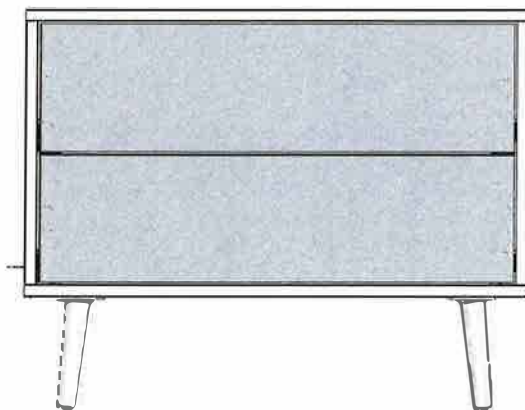
DETAILS AE  
SCALE 1 : 5



# Kube w legs - Kube 400 / 700 / 1100



<p>x 4 Leg</p> 	<p>x 4 Leg console</p> 	<p>x 16 Screw</p> 
------------------------------------------------------------------------------------------------------	--------------------------------------------------------------------------------------------------------------	----------------------------------------------------------------------------------------------------------



# Kube w fittings 400 / 700 / 1100

Wpisz

1000

1000

1000

