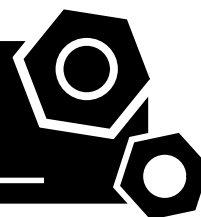


Gas generator set

Sound-proof type

GR16S-LPG

SPECIFICATIONS



1 Standards & Conditions

Design Standards

The designs and the productions are in conformity with:

- Conformance European (CE)
- China Compulsory Certification (CCC)
- ISO8528-5:2005
- GB/T2820.5-2009

Environmental Operating Conditions

- Installation place: Indoors (well ventilated).
- Ambient temperature: -25°C to 50°C. The coolant heater is needed when the temperature is below 5°C
- Humidity: Less than 80%.
- Altitude: Below one thousand (1000) meters above sea level.

Fuel Requirement

- Fuel type: LP Gas.
- Supply gas pressure: 5kPa to 30kPa.
- LHV: More than 84.2MJ/Nm³ or 20110kcal/Nm³(vapor).

Factory Inspection

- Inspection items.
- Protection devices working test.
- Starting ability in normal temperature.
- 50% rated power load moment capability.
- Voltage deviation and speed variation: 0%, 25%, 50%, 75%, 100%, 110% Load.

Painting Process

- Painting process specifications and colors are based on the manufacturer's standard.
- The customer could also choose the color which the manufacturer offers.

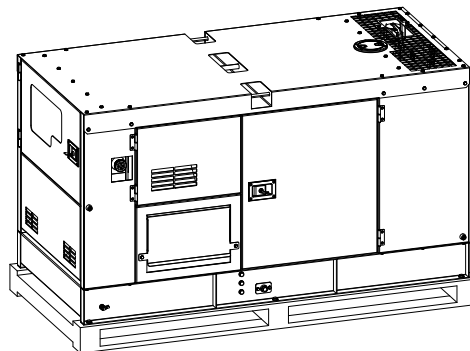
2 General Features

- POWERLINK engine GR2.5E01L
- Close coupled to a Mecc alte alternator ECP28-M/4
- Microprocessor control module PLC-920
- Main circuit breaker: 32A
- Excitation system: Self excited
- A.V.R model: DSR
- Emergency stop switch

- Time counter
- 1x12V/72AH Sealed for life maintenance free battery
- Gas train
- Air-fuel ratio control system
- Speed control system
- Powder coated canopy
- Lockable battery isolator switch
- Oil filter
- 50°C radiator
- Steel base frame with lifting lugs
- Vibration isolators between the engine/alternator and base frame
- Dry type air filter
- Operator's Manual / Specifications

3 Equipment Specification

General technical data

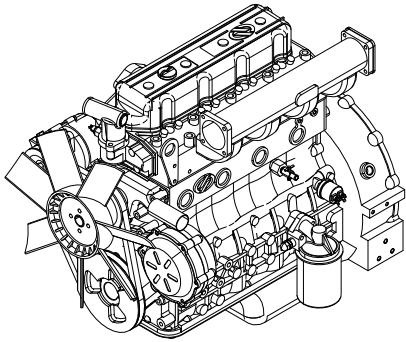


1000244012-AP1-A6

Model.....GR16S-LPG
 Structure type R
 Dry weight.....753kg
 Noise level @7m50dBA
 Dimensions L×W×H..... 1800x865x1067mm
 Prime Power..... 20kVA/16kW

Voltage	380V	400V	415V	
Ampere	30.4A	28.9A	27.8A	
LP Gas Consumption				
Load	25%	50%	75%	100%
m ³ /h	0.96	1.6	2.4	3.04
kg/h	1.8	3.0	4.5	5.7

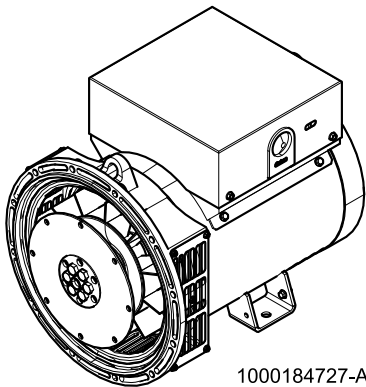
Gas engine



1000219717-AP1-A1

Engine Manufacturer/Brand	POWERLINK
Engine Model	GR2.5E01L
Dry Weigh (approx.)	156Kg
Number of Cylinders	4
Bore	90mm
Stroke	100mm
Displacement	2.545L
Compression Ratio	10.5
Burn type	stoichiometric
Excess air factor	1
Intake System	Natural aspiration
Cooling System	Water cooled
Fan	Pusher
Battery Voltage	12V
Type of Fuel	LPG
Type of Oil	CH4/15W-40
Type of Coolant	Glycol mixture
Prime Power	21kW

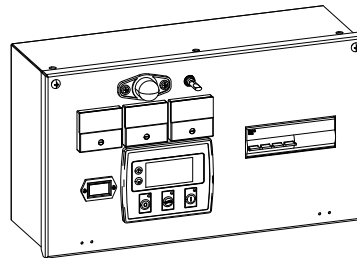
Alternator



1000184727-AP1-A2

Alternator Manufacturer/Brand	Mecc alte
Alternator Model	ECP28-M/4
Exciter	Brushless
Cooling Fan	Cast alloy aluminum
Windings	100% copper
Insulation Class	H
Winding Pitch	2/3
Terminals	12
Drip Proof	IP23
Altitude	≤1000m
Overspeed	2250rpm
Air Flow	5.3m ³ /min(50Hz), 5.8m ³ /min(60Hz)
Voltage Regulation	±1.0%
Total harmonic TGH / THCat no load < 1.5 % - on load < 5%	
Telephone Interference	THF<2%;TIF<45

PLC-920 Control System



1000246075-AP1-A1

PLC-920 is an advanced control module based on micro-processor designed to control the engine via a key switch and push buttons on the front panel. The module is used to start and stop the engine and indicate fault conditions, automatically shutting down the engine and giving a true first up fault condition of an engine failure.

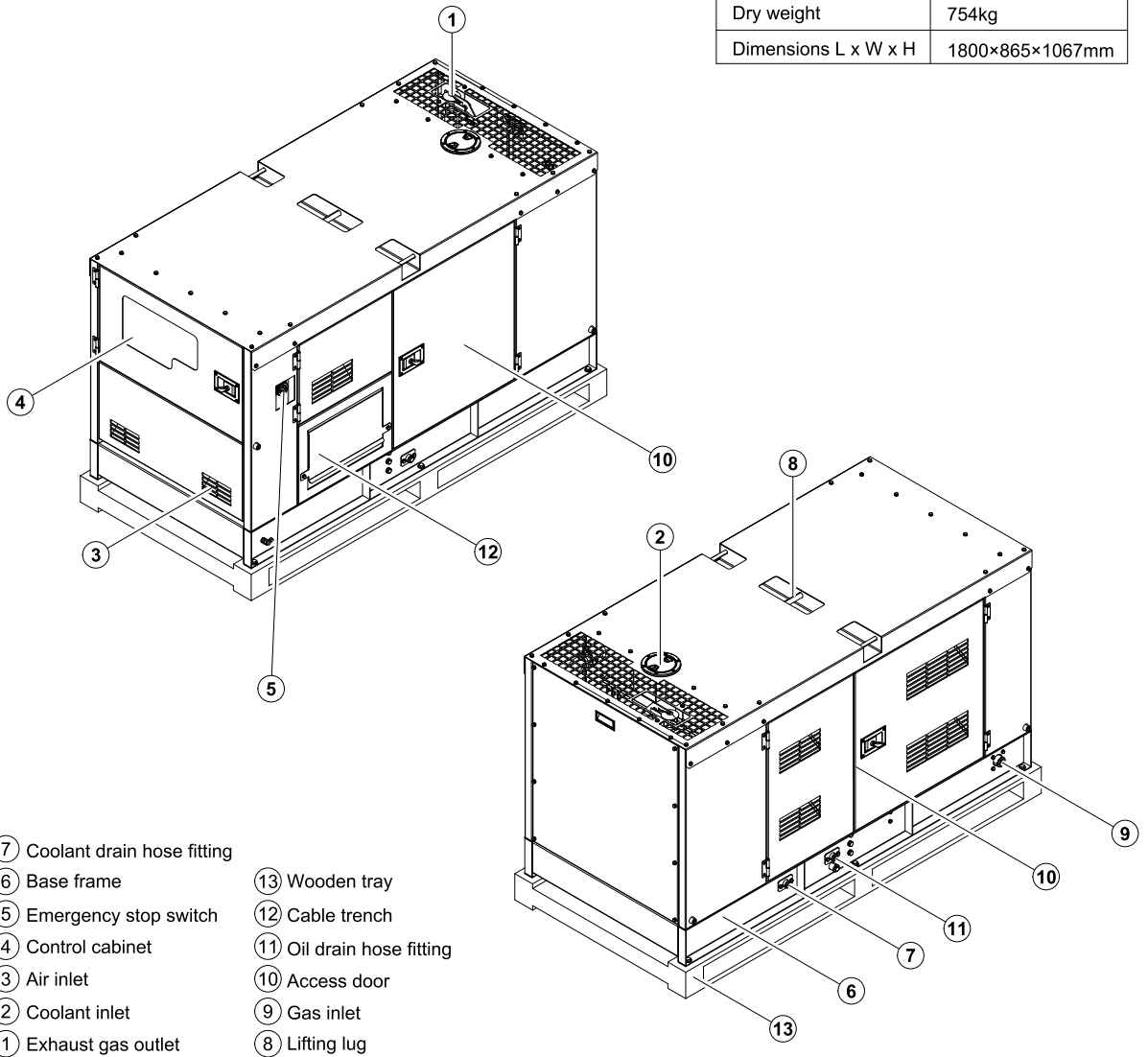
Standard Control Function

- Manual Engine Control Module
- Low Oil Pressure
- High Engine Temperature
- Auxiliary Shutdown
- Overspeed Protection
- Protection hold-off timer
- Charge Failure warning

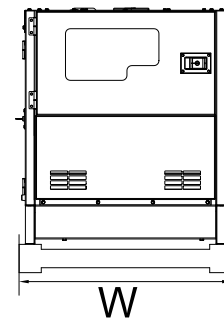
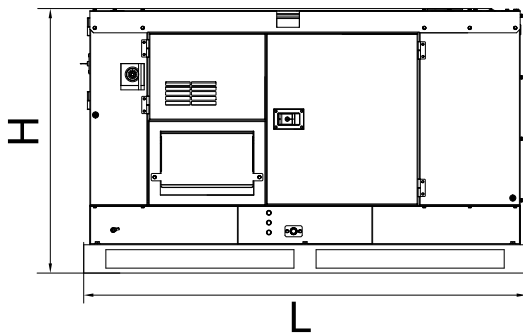
4 Overall Dimensions

1000244012-DR1-A6

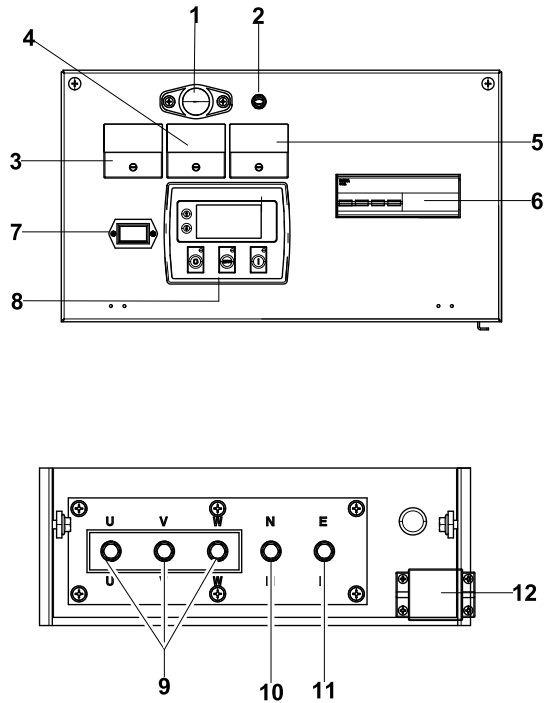
Dry weight	754kg
Dimensions L x W x H	1800×865×1067mm



- ⑦ Coolant drain hose fitting
- ⑥ Base frame
- ⑤ Emergency stop switch
- ④ Control cabinet
- ③ Air inlet
- ② Coolant inlet
- ① Exhaust gas outlet
- ⑬ Wooden tray
- ⑫ Cable trench
- ⑪ Oil drain hose fitting
- ⑩ Access door
- ⑨ Gas inlet
- ⑧ Lifting lug

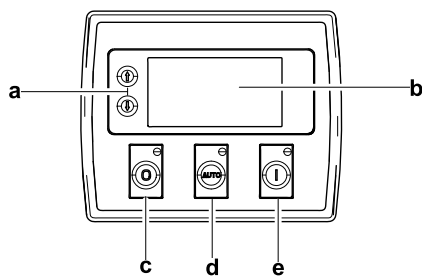


5 Control System



Control & field wiring cabinet

Ref.	Description
1	Control cabinet lamp
2	Control cabinet lamp switch
3	Voltage meter
4	Current meter
5	Frequency meter
6	Main circuit breaker
7	Time counter
8	Control module
9	Live wire terminal
10	Neutral wire terminal
11	Ground wire terminal
12	Remote control/Mains input



Control module

Ref.	Description
a	Navigation button; Accept (Configuration mode only)
b	Main status display
c	Stop/reset button; Next page (Configuration mode only)
d	Auto start button; Decrease value/next item (Configuration mode only)
e	Start button; Increase value/next item (Configuration mode only)

10000258530-A1-E

12.2014

<http://www.powerlinkworld.com>

*Specification may change without prior notice. For more info.,
contact Power Link or your local distributors please.*