

SPECIFICATION

POWERLINK
Power Systems

Power Link the World

MODEL QSV60PS **QSV SERIES** **(FOR 50Hz DIESEL GENSET)**

Revision: A2 (12/21)

To inquire the latest revision of
document, visit our website at:
www.powerlinkworld.com



QSV series QSV60PS

50 Hz @ 1500rpm, 3-phase/5-wiring



1 Standards & Conditions

Design Standards

The designs and the productions are in conformity with:

- Conformance Européenne (CE)
- ISO8528-5:2005
- GB/T2820.5-2009

Environmental Operating Conditions

- Installation place: Outdoors or indoors (well ventilated).
- Ambient temperature: -25°C to 50°C. The coolant heater is needed when the temperature is below 5°C
- Humidity: Less than 80%.
- Altitude: Below one thousand (1000) meters.

Factory Inspection

- Inspection items.
- Protection devices working test.
- Starting ability in normal temperature.
- 50% rated power load moment capability.
- Voltage deviation and speed variation: 0%, 25%, 50%, 75%, 100%, 110% Load.

Painting Process

- Painting process specifications and colors are based on the manufacturer's standard.
- The customer could also choose the color which the manufacturer offers.

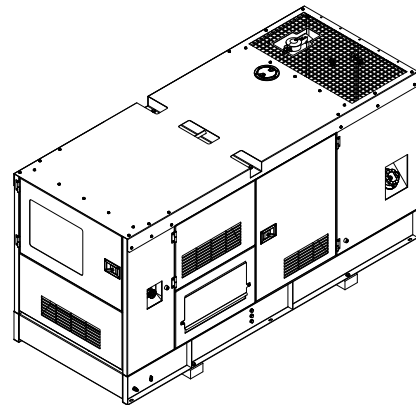
2 General Features

- Perkins engine 1103A-33TG2
- Close coupled to a Stamford alternator S1L2-Y1
- Microprocessor control module PLC-920
- NADER main circuit breaker: 3-Phase 100A
- Rotate speed governor: Mechanical governor
- Excitation System: Self excited , SHUNT
- A.V.R.Model: SX440
- Key switch
- Emergency stop switch
- ATS (automatic transfer switch) receptacle
- 1x12V sealed for life maintenance free battery

- Lockable battery isolator switch
- Powder coated canopy
- 50°C radiator
- Oil pump on the engine
- Steel base frame with forklifts
- Vibration isolators between the engine/alternator and base frame
- Dry type air filter
- Base fuel tank for 8 hours running
- Drain points for fuel tank
- Operation Manual / Specifications

3 Equipment Specification

General technical data

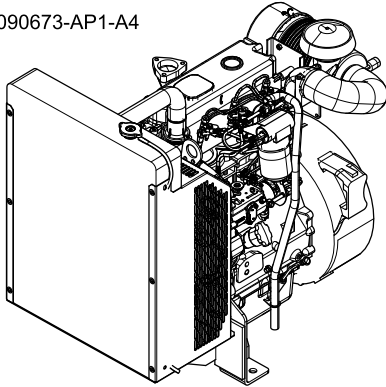


Model.....	QSV60PS
Structure type	R
Tank capacity.....	120L
Dry weight.....	1140kg
Noise level @7m	60dB(A)
Dimensions L×W×H.....	2350×946×1233.5mm
Standby Power	62.5kVA/50kW
Prime Power	60kVA/48kW

Voltage	380V	400V	415V	440V	
Ampere	91.2A	86.6A	83.5A	78.7A	
Genset Fuel Consumption					
Frequency/Load	25%	50%	75%	100%	110%
50Hz (L/h)	N/A	7.2	10.4	13.9	15.4

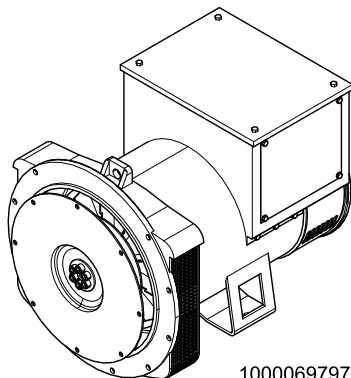
Diesel Engine

1000090673-AP1-A4



Engine Manufacturer/Brand	Perkins
Engine Model	1103A-33TG2
Dimensions L×W×H.....	1049×634×951mm
Dry Weigh (approx.)	420kg
Number of Cylinders.....	3
Bore.....	105mm
Stroke	127mm
Displacement.....	3.3L
Compression Ratio	17.25
Type of injection.....	Direct injection
Intake System.....	Turbocharged
Intake Resistance	≤8kPa
Cooling System	Water cooled
Fan	Pusher
Battery Voltage	12V
Type of Fuel.....	RF75-T-96 / DIN EN590 / BS2869 class A2
Type of Oil	API-CG4/ CH4
Oil Capacity	8.31L
Type of Coolant	Glycol mixture
Coolant Capacity	10.2L
Back Pressure	≤10kPa
Standby Power	60.5kW
Prime Power	55kW
Fuel Consumption(100%load).....	13.9L/h

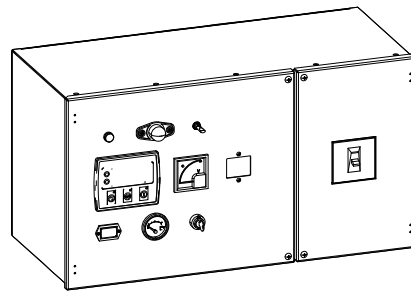
Alternator



1000069797-AP1-A5

Alternator Manufacturer/Brand	Stamford
Alternator Model	S1L2-Y1
Exciter.....	Brushless
Cooling Fan	Cast alloy aluminum
Windings.....	100% copper
Insulation Class	H
Winding Pitch.....	2/3
Terminals	12
Drip Proof	IP23
Altitude.....	≤1000m
Overspeed	2250rpm
Air Flow.....	0.15m ³ /s
Voltage Regulation	±0.5%
Total harmonic TGH / THC	< 4%
Telephone Interference.....	THF<2%;TIF<50

PLC-920 Control System

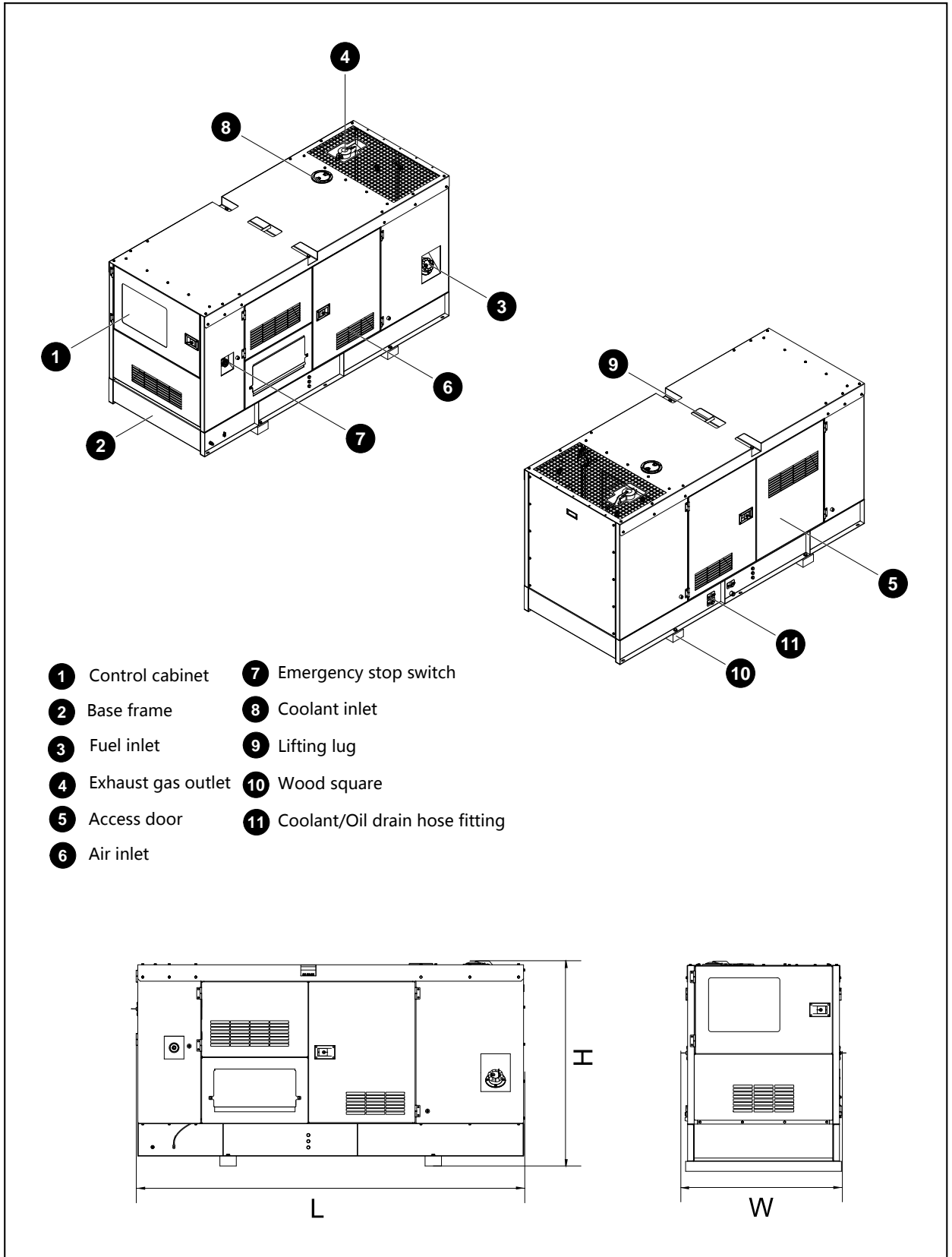


PLC-920 is an advanced control module based on microprocessor designed to control the engine via push buttons on the front panel. The module is used to start and stop the engine and indicate fault conditions, automatically shutting down the engine and giving a true first up fault condition of an engine failure.

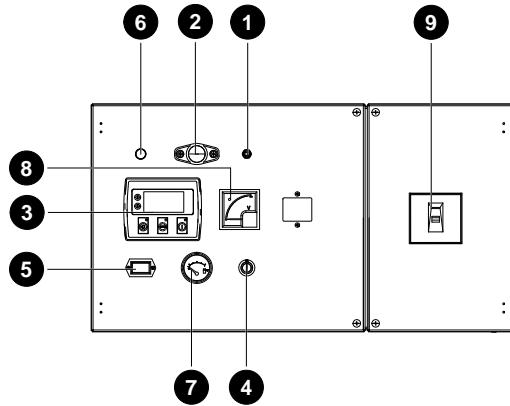
Standard Control Function

- Manual Engine Control Module
- Low Oil Pressure
- High Engine Temperature
- Auxiliary Shutdown
- Overspeed Protection
- Protection hold-off timer
- Charge Failure warning

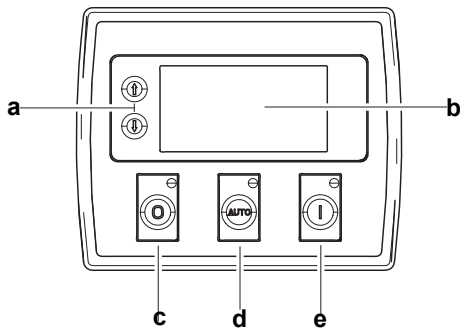
4 Overall Dimensions



5 Control System



序号	描述
1	Control cabinet lamp switch
2	Control cabinet lamp
3	Control module
4	Key switch
5	Time counter
6	Charge indicator
7	Fuel level meter
8	Voltage meter
9	Main circuit breaker



Control module

Ref.	Description
a	Navigation button£» Accept (Configuration mode only)
b	Main status display
c	Stop/reset button£» Next page (Configuration mode only)
d	Auto start button£» Decrease value/next item (Configuration mode only)
e	Start button£» Increase value/next item (Configuration mode only)

SPECIFICATION

QSV SERIES DIESEL GENSET

QSV60PS

Revision: A2 (12/21)

To inquire the latest revision of
document, visit our website at:
www.powerlinkworld.com

