

FIRECHIEF REELMAX FIXED MANUAL FIRE HOSE REELS

FIRECHIEF[®]
making the world a safer place

MODEL:

RMFM19-B REEL
RMFM25-B MAX



- Quality construction using powder coated steel and brass
- Supplied 'hose-on' and ready to install
- Supplied with 30m of LPBC approved EN694 fire hose available in 19mm or 25mm options
- Supplied with jet/spray nozzle hose guide and gate valve
- Certified by LPCB to EN671-1
- 2 year guarantee

RMFM19-B
102-1075



right action
Fire and Safety Centre

Available From:
Fire and Safety Centre
15 Atkinsons Way, Foxhills Industrial Estate
Scunthorpe, North Lincolnshire, DN15 8QJ
Tel: 01724 281044 **Web:** www.fireandsafetycentre.co.uk
Email: sales@fireandsafetycentre.co.uk

FIRECHIEF REELMAX FIXED MANUAL FIRE HOSE REELS

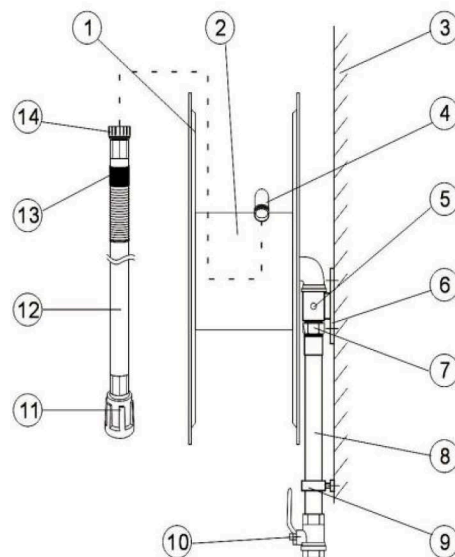
FIRECHIEF®
making the world a safer place

Features

- Hose reel with powder coated and anti-ultraviolet side discs
- Corrosion resistant full brass waterway
- Leak proof hose fitting used to connect fire hose to water outlet
- High pressure resistance; maximum working pressure, 12 bar
- Robust leak free design providing over 3000 rotations of the hose reel with no leakage
- High pressure spray. The nozzle can be adjusted to jet/spray
- This type of hose reel can be used in a fire hose reel cabinet
- Supplied with LPBC approved EN694 fire hose, ideal for applications where long intervals can occur between use

MODEL:

RMFM19-B REEL
RMFM25-B MAX



Parts

- | | |
|--------------------------|------------------------------|
| 1. Hose Reel Disc | 9. Pipe Bracket |
| 2. Hose Drum | 10. Gate Valve |
| 3. Wall Mounting Surface | 11. Nozzle |
| 4. Water Inlet | 12. Fire Hose |
| 5. Locking Screw | 13. Spring Wire Hose Support |
| 6. Fixed Bracket | 14. Connector |
| 7. Inlet Joint | |
| 8. Inlet Pipe | |

Usage

1. Open the valve (10), pull hose towards fire, open nozzle (11) to spray/jet and aim at base of fire.
2. After use, close the valve (10), drain water from hose, rewind the hose and close nozzle (11).



Code	Model	Description	Hose Nominal Bore (mm)	Hose Maximum Length (m)	Nozzle Type	LPCB Ref. No.
102-1075	RMFM19-B	Manual, fixed, wall mounted	19	30	Rotary operated jet/spray	1093e/05
102-1076	RMFM25-B	Manual, fixed, wall mounted	25	30	Rotary operated jet/spray	1093e/06

right action
Fire and Safety Centre

Available From:

Fire and Safety Centre
15 Atkinsons Way, Foxhills Industrial Estate
Scunthorpe, North Lincolnshire, DN15 8QJ
Tel: 01724 281044 Web: www.fireandsafetycentre.co.uk
Email: sales@fireandsafetycentre.co.uk