

# FIRECHIEF REELMAX SWINGING AUTOMATIC FIRE HOSE REELS

**FIRECHIEF**<sup>®</sup>  
making the world a safer place

MODEL:

**RMSA19-B REEL  
RMSA25-B MAX**



RMSA19-B  
102-1077

- Quality construction using powder coated steel and brass
- Supplied 'hose-on' and ready to install
- Supplied with 30m of LPBC approved EN694 fire hose available in 19mm or 25mm options
- Supplied with jet/spray nozzle
- Certified by LPCB to EN671-1
- 2 year guarantee
- Supplied with flexible water inlet pipe



**right action**  
Fire and Safety Centre

**Available From:**  
Fire and Safety Centre  
15 Atkinsons Way, Foxhills Industrial Estate  
Scunthorpe, North Lincolnshire, DN15 8QJ  
**Tel:** 01724 281044 **Web:** [www.fireandsafetycentre.co.uk](http://www.fireandsafetycentre.co.uk)  
**Email:** [sales@fireandsafetycentre.co.uk](mailto:sales@fireandsafetycentre.co.uk)

# FIRECHIEF REELMAX SWINGING AUTOMATIC FIRE HOSE REELS

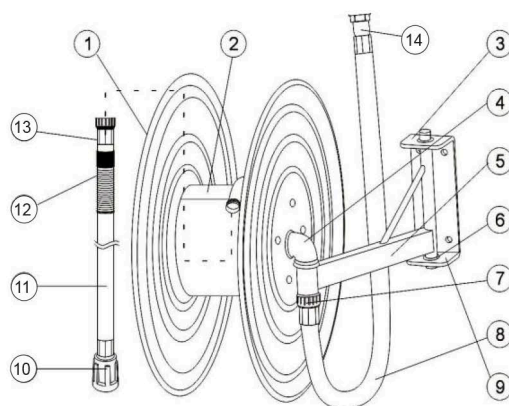
**FIRECHIEF®**  
making the world a safer place

## Features

- Hose reel with powder coated and anti-ultraviolet side discs
- Corrosion resistant full brass waterway
- Leak proof hose fitting used to connect fire hose to water outlet
- High pressure resistance; maximum working pressure, 12 bar
- Robust leak free design providing over 3000 rotations of the hose reel with no leakage
- High pressure spray. The nozzle can be adjusted to jet/spray
- This type of hose reel can be used in a fire hose reel cabinet
- Supplied with LPBC approved EN694 fire hose, ideal for applications where long intervals can occur between use

## MODEL:

**RMSA19-B REEL  
RMSA25-B MAX**



## Parts

1. Hose Reel Disc	8. Inlet Pipe
2. Roller	9. Swinging Arm Pivot
3. Bracket	10. Nozzle
4. Automatic Water Inlet	11. Fire Hose
5. Swinging Arm	12. Spring Jacket
6. Locking Screw	13. Outlet Joint
7. Inlet Joint	14. Connector

## Usage

1. According to the indication on hose reel, spin the reel (1) 2-3 rotations towards ON. The automatic waterway will open. Then pull the hose towards fire, open nozzle (10) to spray/jet and aim at base of fire.
2. After use, rewind the hose to the OFF position on the hose reel.



Code	Model	Description	Hose Nominal Bore (mm)	Hose Maximum Length (m)	Nozzle Type	LPCB Ref. No.
102-1077	RMSA19-B	Automatic swinging arm, cabinet or wall mounted	19	30	Rotary operated jet/spray	1093e/03
102-1078	RMSA25-B	Automatic swinging arm, cabinet or wall mounted	25	30	Rotary operated jet/spray	1093e/04

**right action**  
Fire and Safety Centre

**Available From:**  
Fire and Safety Centre  
15 Atkinsons Way, Foxhills Industrial Estate  
Scunthorpe, North Lincolnshire, DN15 8QJ  
**Tel:** 01724 281044 **Web:** [www.fireandsafetycentre.co.uk](http://www.fireandsafetycentre.co.uk)  
**Email:** [sales@fireandsafetycentre.co.uk](mailto:sales@fireandsafetycentre.co.uk)