

Maxi-major™ 200

Operation Manual



**Fire and Safety
Centre**

Available From:

Fire and Safety Centre
15 Atkinsons Way, Foxhills Industrial Estate
Scunthorpe, North Lincolnshire, DN15 8QJ
Tel: 01724 281044 **Web:** www.fireandsafetycentre.co.uk
Email: sales@fireandsafetycentre.co.uk

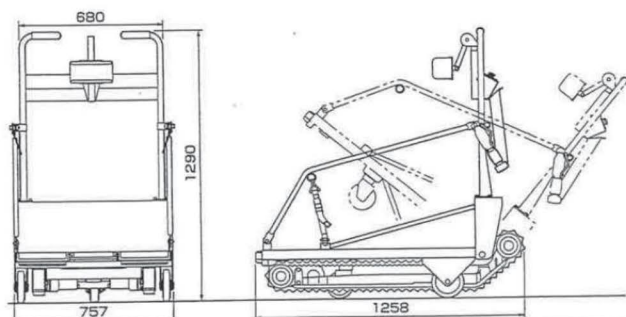
Maxi-major™ consists of the following assemblies:

• Floor	• Slope
• Handle	• Battery Pack
• Drive Unit	• Headrest
• Floor Tilt Unit	Standard accessories
• Wheels	• Charger (24V) 1 pc
• Handrails	• Parts List 1 copy

SPECIFICATIONS

Model	Maxi-major
Max. Length	1258 mm
Max. Width	757 mm
Max. Height	1290 mm
Floor height	235 mm
Max. floor tilt	40°
Weight	115kg
Max. load	200kg
Stair ascent speed	21 steps/ min (6.4 m/ min) for load: 200kg
Stair descent speed	31 steps/ min (9.5 m/ min) for load: 200kg
Max. stair angle	35°
Motor Type	Permanent-magnet DC motor
Rated Output	210 W/ 30 min (2 motors)
Connection	2 motors connected in series
Battery	Maintenance free type sealed lead battery
Battery capacity	24V 24Ah/ 20Hr (12V 24Ah/ 20Hr 2 batteries connected in series)
Wheels	Front: 125mm, 1 caster wheel Rear: 150mm, 2 wheels Wheelbase: 445mm (min.), 505mm (max.) Tread: 688mm
Rubber crawlers width	51mm, 2 pcs
Ground contacting length	900mm
Tread	524mm
Main brake	Spring loaded electromagnetic brake x 2 pcs.
Running time/ charge	Ascend: 840 steps (40 min.) for load: 200kg Descend: 1240 steps (40 min.) for load: 200kg
Number of operators	1 - 2
Charger	Input: AC 115/ 230 V Output: DC 24 V, 4A

External dimensions



**Fire and Safety
Centre**

Available From:

Fire and Safety Centre
15 Atkinsons Way, Foxhills Industrial Estate
Scunthorpe, North Lincolnshire, DN15 8QJ
Tel: 01724 281044 **Web:** www.fireandsafetycentre.co.uk
Email: sales@fireandsafetycentre.co.uk

ESSENTIALS OF SAFE OPERATION

Maxi-major™ cannot be used on spiral staircases, curved staircases, staircase angles exceeding 35 degrees, stairs with larger pitch or stairs with rough edges.

1. Always check the stairclimber before using it

- The operator must check stairclimber before using it. The initial inspection is necessary for safe operation.



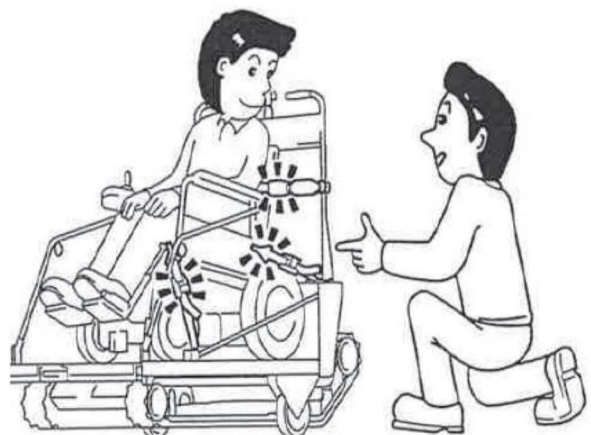
2. Handling of Battery

- Battery is a sealed type. It is unnecessary to refill it with water. Never dismantle battery.
- Never position battery near a flame or short-circuit battery.
- If battery is cracked and its electrolytic solution comes in contact with skin or clothes, immediately rinse the contaminated area with plenty of water. If electrolytic solution splashes into the eye, rinse the eye with plenty of clean water and consult an ophthalmologist.



3. Safe Operation with proper knowledge

- The Operator needs sufficient training. Be sure the training is undertaken before the operator attempts to run this machine for the first time.
- Proper clothes, suitable to machine control, must be worn.
- The machine can only be run after wheelchair is safely secured by forks, seat belt and other necessary items.
- No operator overworked, sick, taking medicine, intoxicated, or otherwise inhibited may operate stairclimber



**Fire and Safety
Centre**

Available From:

Fire and Safety Centre

15 Atkinsons Way, Foxhills Industrial Estate

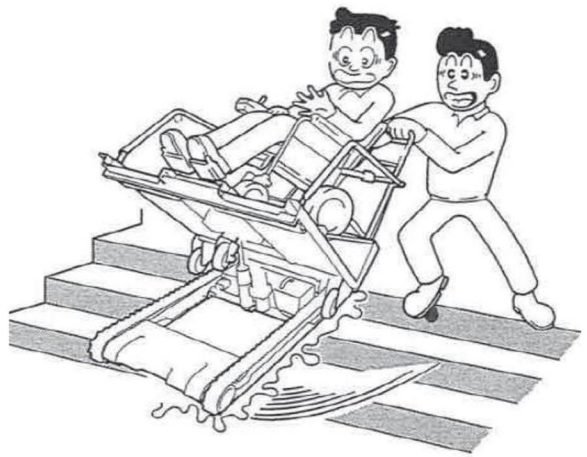
Scunthorpe, North Lincolnshire, DN15 8QJ

Tel: 01724 281044 **Web:** www.fireandsafetycentre.co.uk

Email: sales@fireandsafetycentre.co.uk

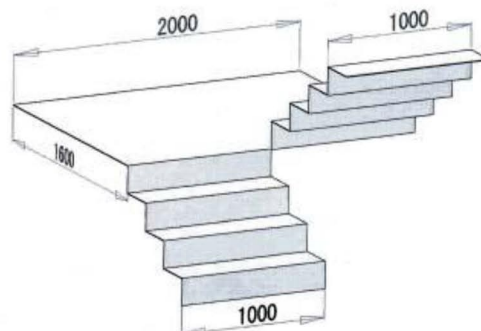
4. Operation on a staircase

- Never run the machine on a staircase exceeding 35 degrees angle, on a curved staircase, an oily staircase, an icy staircase, a wet or slippery staircase or any other inappropriate staircase.
- Obliquely ascending or descending the stairs will result in danger of serious accident. The operator must avoid oblique operation on stairs. Always approach the staircase squarely.
- Whenever running the machine upward, the operator must always pay attention to the area behind him/ herself. Do not run stairclimber if the stairs are crowded.
- Whenever running the machine downward, the operator must always pay attention to the front of the machine. Do not run stairclimber if the staircase is crowded.
- Never let go of the machine unless circumstances make this unavoidable.



5. Machine Stoppage

- If the machine gives trouble, malfunctions or is damaged, immediately stop operating the machine. Running it with a trouble/ fault can result in a serious accident.



Minimum width of stairs:



**Fire and Safety
Centre**

Available From:

Fire and Safety Centre

15 Atkinsons Way, Foxhills Industrial Estate

Scunthorpe, North Lincolnshire, DN15 8QJ

Tel: 01724 281044 **Web:** www.fireandsafetycentre.co.uk

Email: sales@fireandsafetycentre.co.uk