

Compact™ 150

Operation Manual



**Fire and Safety
Centre**

Available From:

Fire and Safety Centre

15 Atkinsons Way, Foxhills Industrial Estate

Scunthorpe, North Lincolnshire, DN15 8QJ

Tel: 01724 281044 **Web:** www.fireandsafetycentre.co.uk

Email: sales@fireandsafetycentre.co.uk

Stairclimber consists of the following assemblies:

• Drive Unit
• Wheelchair Mount Unit
• Headrest

Standard accessories	• Charger (12V)	1 pc.
	• Parts List	1 copy

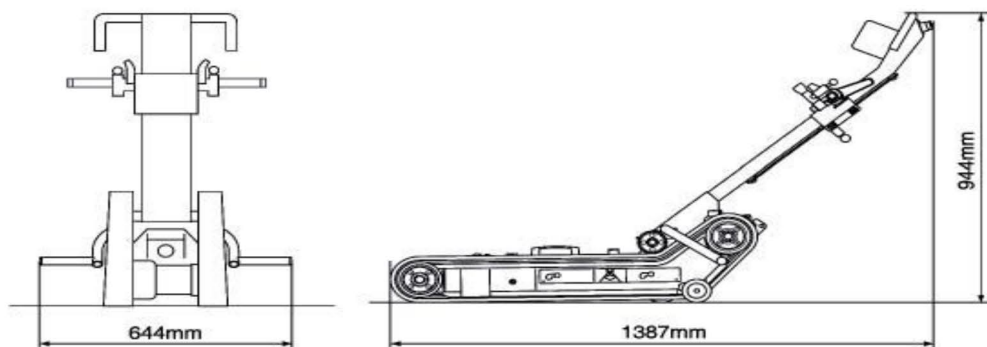
SPECIFICATIONS

Model	SA-S
Passenger	1
Operator	1
Max. capacity	150kg incl. wheelchair
Rubber Crawlers	2 Rubber Crawlers (Width: 51mm, Ground contacting length: 681mm, Tread: 241mm)
Motor	Type: permanent-magnet DC motor Rated power: 210 W / 30 min.
Brake	Spring loaded electromagnetic brake
Stair ascent speed	6.1 m / min.
Stair descent speed	10.7 m / min.
Maximum stair angle	35°
Running time (min) / charge	Ascending: 600 steps/30 min. Descending: 840 steps/30 min.
Battery	Maintenance free type sealed lead battery 12V - 20Ah
Charger	Input: 100V/240V, 50/60Hz, 1.0 A max. Power output: 12VDC, 3A
Weight	59 kg

Compact complies with the following regulations:

ISO 7176-9	Climatic tests for wheelchairs
ISO 7176-14	Power and control systems for electrically powered wheelchairs
ISO 7176-15	Requirements for information disclosure, documentation and labeling
ISO 7176-21	Additional general requirements for EN 60601
ISO 7176-23	Requirements and test methods for attendant-operated stair-climbing devices

External Dimensions:



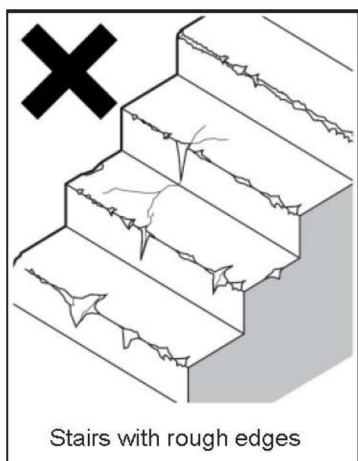
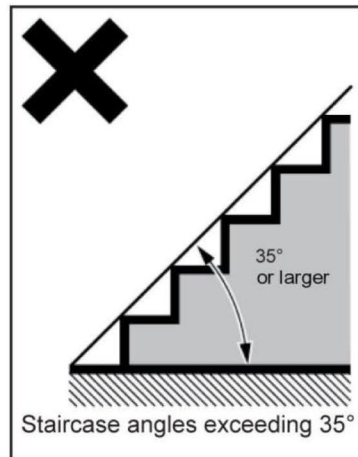
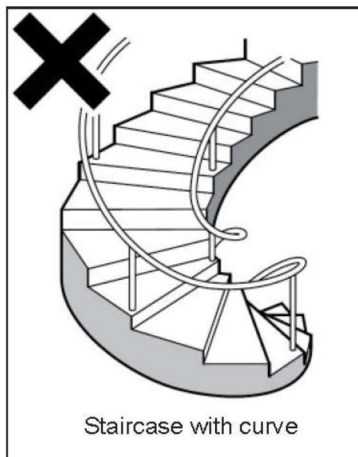
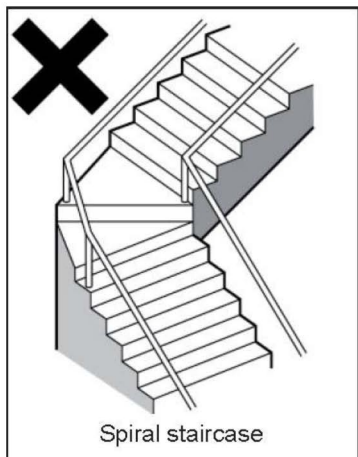
**Fire and Safety
Centre**

Available From:

Fire and Safety Centre
 15 Atkinsons Way, Foxhills Industrial Estate
 Scunthorpe, North Lincolnshire, DN15 8QJ
Tel: 01724 281044 **Web:** www.fireandsafetycentre.co.uk
Email: sales@fireandsafetycentre.co.uk

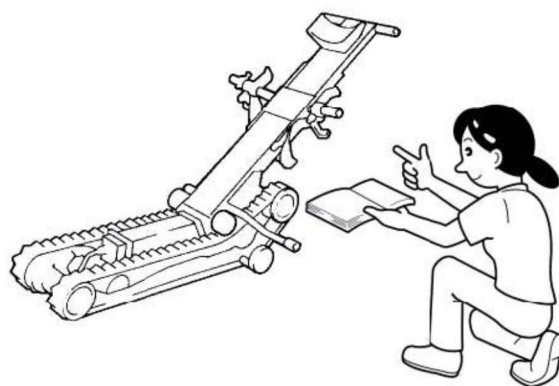
ESSENTIALS OF SAFE OPERATION

Compact™ cannot be used on spiral staircases, curved staircases, staircase angles exceeding 35 degrees, stairs with larger pitch or stairs with rough edges.



1. Always check the stairclimber before using it

- The operator must check stairclimber before using it. The initial inspection is necessary for safe operation.



**Fire and Safety
Centre**

Available From:

Fire and Safety Centre
15 Atkinsons Way, Foxhills Industrial Estate
Scunthorpe, North Lincolnshire, DN15 8QJ
Tel: 01724 281044 **Web:** www.fireandsafetycentre.co.uk
Email: sales@fireandsafetycentre.co.uk

2. Handling of Battery

- Battery is a sealed type. It is unnecessary to refill it with water. Never dismantle battery.
- Never position battery near a flame or short-circuit battery.
- If battery is cracked and its electrolytic solution comes in contact with skin or clothes, immediately rinse the contaminated area with plenty of water. If electrolytic solution splashes into the eye, rinse the eye with plenty of clean water and consult an ophthalmologist.
- Use special Battery Charger for charging battery.



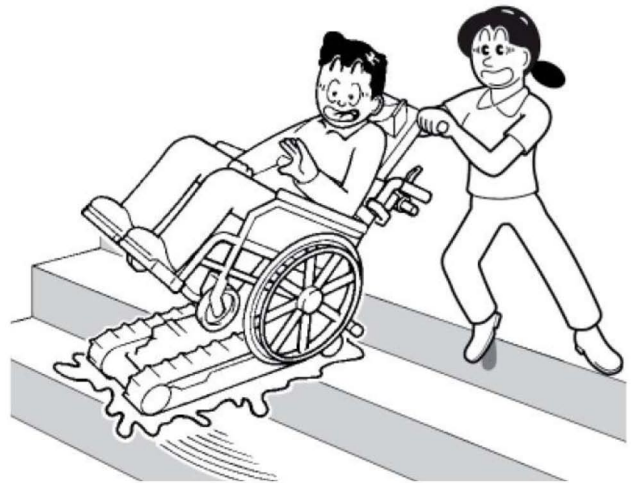
3. Safe Operation with proper knowledge

- The Operator needs sufficient training. Be sure the training is undertaken before the operator attempts to run this machine for the first time.
- Proper clothes, suitable to machine control, must be worn.
- Before seating or unseating the passenger on/from stairclimber, be sure to extend Kick Stand to secure stairclimber.
- After the passenger is seated on stairclimber, firmly secure the passenger with Belt.
- Wear normal shoes or sport-type shoes. Never operate the machine while wearing open toe or heel shoes such as slippers, sandals or equivalents.
- No operator overworked, sick, taking medicine, intoxicated, or otherwise inhibited may operate stairclimber



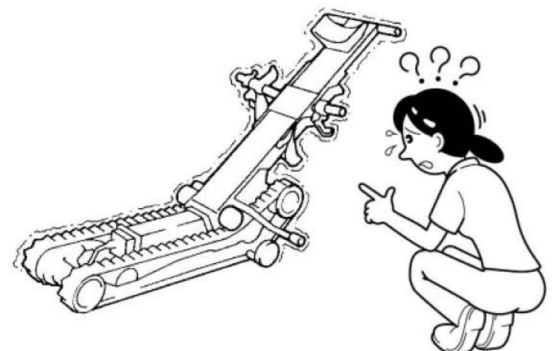
4. Operation on a staircase

- Never run the machine on a staircase exceeding 35 degrees angle, on a curved staircase, an oily staircase, an icy staircase, a wet or slippery staircase or any other inappropriate staircase.
- Obliquely ascending or descending the stairs will result in danger of serious accident. The operator must avoid oblique Operation on stairs. Always approach the staircase squarely.
- Whenever running the machine upward, the operator must always pay attention to the area behind him/herself. Do not run stairclimber if the stairs are crowded.
- Whenever running the machine downward, the operator must always pay attention to the front of the machine. Do not run stairclimber if the staircase is crowded.
- Never let go of the machine unless circumstances make this unavoidable.



5. Machine Stoppage

- If the machine gives trouble, malfunctions or is damaged, immediately stop operating the machine. Running it with a trouble/ fault can result in a serious accident.



**Fire and Safety
Centre**

Available From:

Fire and Safety Centre

15 Atkinsons Way, Foxhills Industrial Estate

Scunthorpe, North Lincolnshire, DN15 8QJ

Tel: 01724 281044 **Web:** www.fireandsafetycentre.co.uk

Email: sales@fireandsafetycentre.co.uk