

UN rating: UN 1H2/X300/S//GB/7434**

*** Replace with the last two digits of the year of manufacture*

	Colour	H x W x D (mm)	Weight (kg)	Max. load (kg)	Capacity (l)
SJ-700-001	●	1100 x 830 x 830	30	295	360

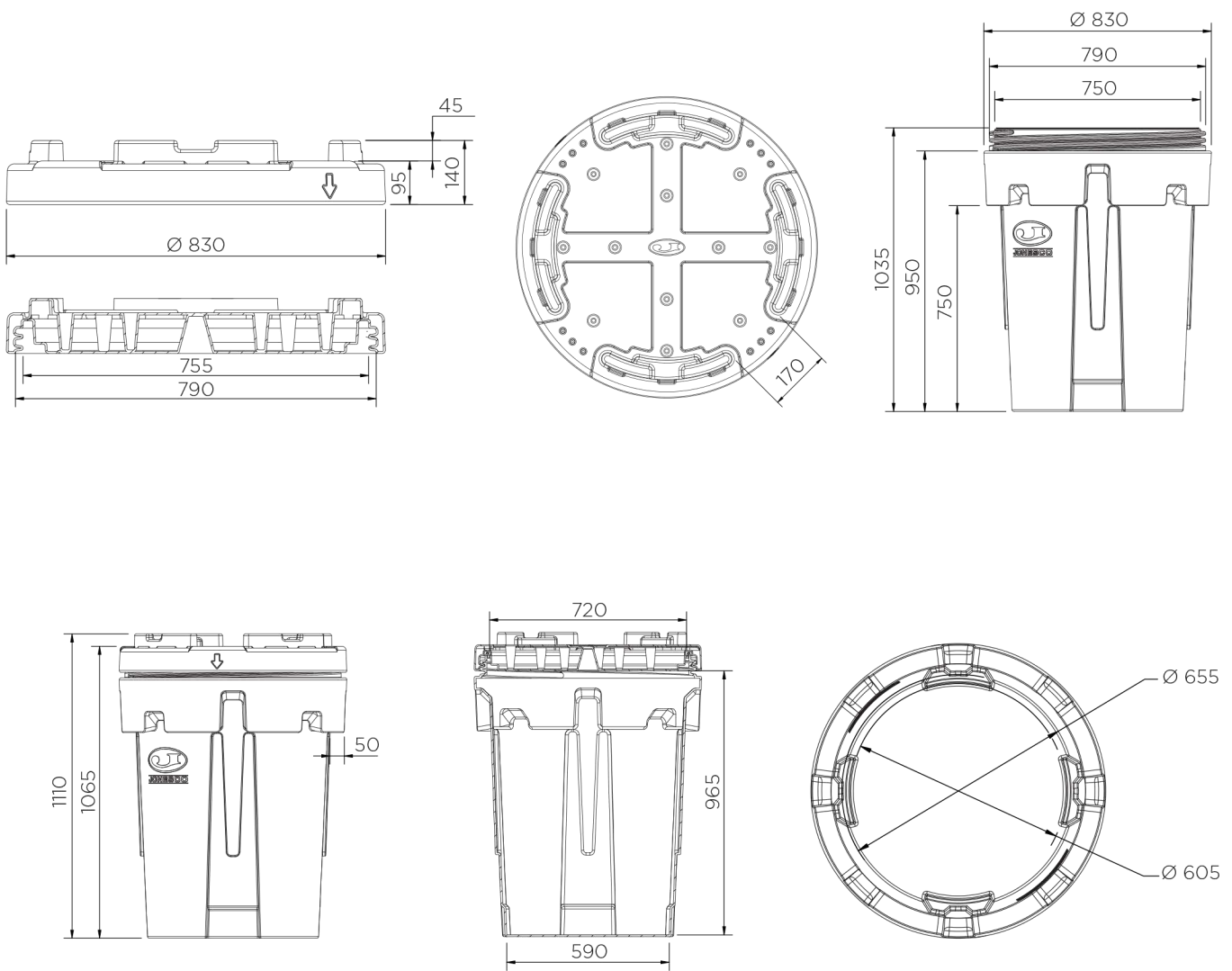
jonesco-plastics.com



**Fire and Safety
Centre**

Available From:

Fire and Safety Centre
15 Atkinsons Way, Foxhills Industrial Estate
Scunthorpe, North Lincolnshire, DN15 8QJ
Tel: 01724 281044 **Web:** www.fireandsafetycentre.co.uk
Email: sales@fireandsafetycentre.co.uk

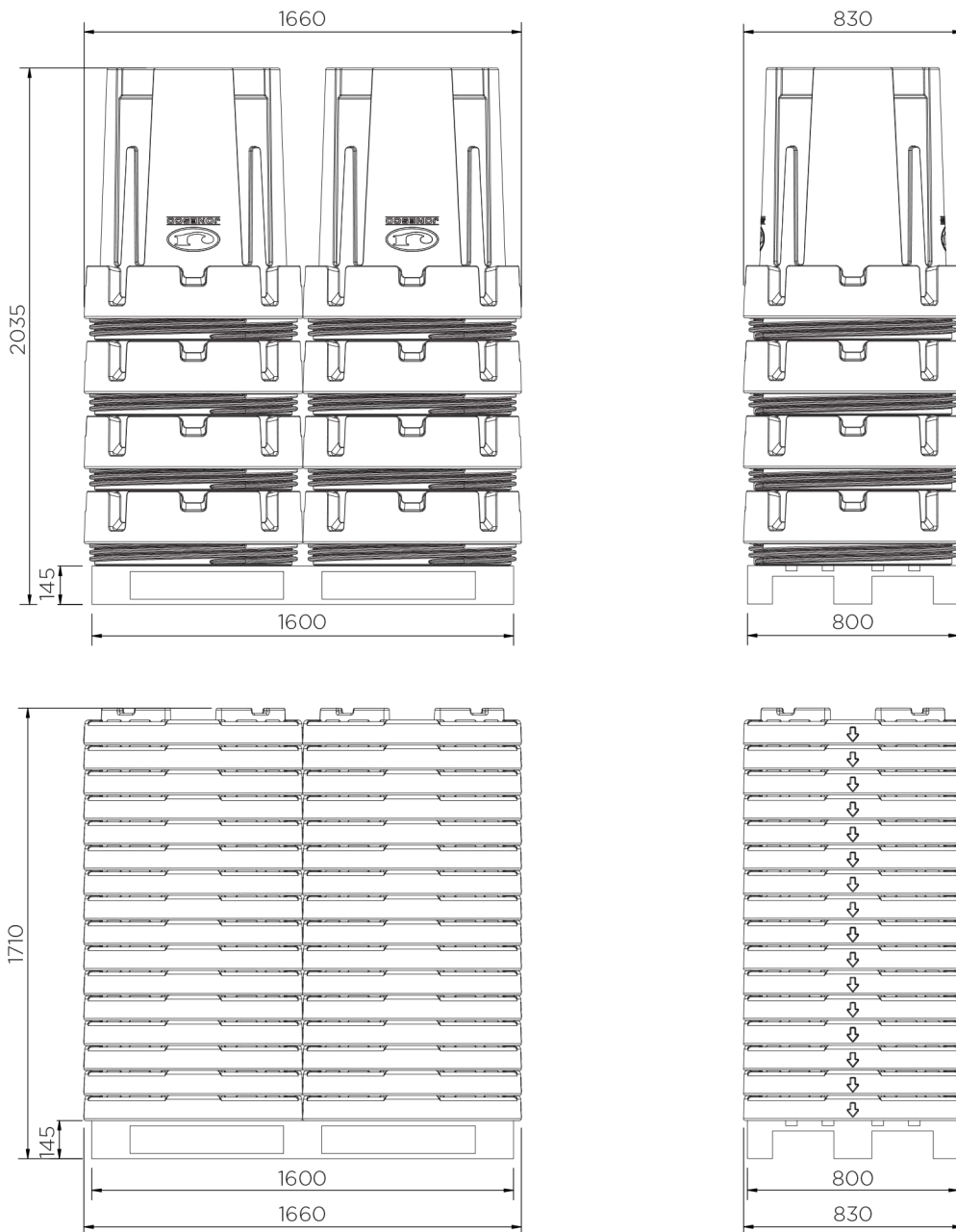


jonesco-plastics.com



**Fire and Safety
Centre**

Available From:
Fire and Safety Centre
15 Atkinsons Way, Foxhills Industrial Estate
Scunthorpe, North Lincolnshire, DN15 8QJ
Tel: 01724 281044 **Web:** www.fireandsafetycentre.co.uk
Email: sales@fireandsafetycentre.co.uk

**SJ-700-001**

Pieces per pallet - Base

8

Pieces per pallet - Lid

32

The information is to our best knowledge true and accurate but all recommendations or suggestions are made without guarantee.

jonesco-plastics.com



**Fire and Safety
Centre**

Available From:

Fire and Safety Centre

15 Atkinsons Way, Foxhills Industrial Estate

Scunthorpe, North Lincolnshire, DN15 8QJ

Tel: 01724 281044 **Web:** www.fireandsafetycentre.co.uk**Email:** sales@fireandsafetycentre.co.uk

SJ-700-001 has been designed to meet UN Dangerous Goods packaging regulations for a plastic drum with a removable head to contain solids to packaging group I. It is the shipper's responsibility to ship this packaging in accordance with applicable transport regulations and in accordance with these instructions. For further information, refer to the SJ-700-001 Technical Data Sheet and Information Summary. Please contact your distributor for any queries related to the proper use of this product.

UN 1H2/X300/S/**/GB/7434

*** To be replaced by the last two digits of the year of manufacture*

It is certified that samples of this packaging design have been tested by an accredited laboratory in accordance with the provisions of the United Nations Recommendations on the Transport of Dangerous Goods, Chapter 6.1 (and the equivalent provisions in RID/ADR, the IMDG Code and the ICAO Technical Instructions) and successfully met the criteria described in paragraphs 6.1.5.3 to 6.1.5.6. This packaging has also successfully undergone vibration testing as per USA Department of Transport Hazardous Materials Regulations (HMR) Title 49 CFR 178.608 and an air leakproofness test at 20kPa as per UN 6.1.5.4.3.

Packaging Limitations

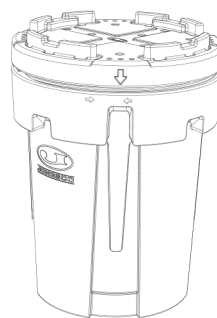
1. This product is approved as a single trip packaging. Do not reuse.
2. Lid closure for transportation can only be performed once.
3. Gross package weight of this product and contents must not exceed 300 kg. **NOTE:** the tare weight of this product including lid is 29.75 kg.
4. Do not fill container above the bottom of the thread.
5. Do not place materials into this product which are incompatible. Contact your distributor for a chemical compatibility guide. User responsible for chemical compatibility.
6. No free liquids are to be transported. These drums have been certified in accordance with UN Transport of Dangerous Goods to contain solids.

CAUTION: DO NOT EXCEED LIMITATIONS.

Closure Instructions

1. Place contents into drum. Ensure the seal and rim of the base are free from debris or damage. Spray lubricant (washing up liquid) around the seal within the lid.
2. Place the lid on the base and twist the lid in a clockwise motion until the lid is "hand tightened". Continue tightening the lid using a long 2" x 4" board or metal box section (40 x 40 x 3 mm). The board, rebar or handle can be placed between the castellations on the lid to allow sufficient torque to tighten so the arrow on the lid is between the arrows on the base.
3. Occasionally tolerance within the product can be affected by temperature and operating conditions. If you are unable to tighten the lid so that the arrow on the lid is within the arrows on the base, please tighten the lid as much as possible and allow the product to sit for at least 1 hour and then tighten the lid further. This allows for the seal to relax and can be repeated until alignment of the arrows has been achieved.

CAUTION: DO NOT USE IF THE CLOSURE INSTRUCTIONS CAN NOT BE PROPERLY PERFORMED.



jonesco-plastics.com



**Fire and Safety
Centre**

Available From:

Fire and Safety Centre
15 Atkinsons Way, Foxhills Industrial Estate
Scunthorpe, North Lincolnshire, DN15 8QJ
Tel: 01724 281044 **Web:** www.fireandsafetycentre.co.uk
Email: sales@fireandsafetycentre.co.uk