

High Security Premises Information Box™ (HSS PIB®C)

Specification Sheet



The High Security Premises Information Box™ (HSS PIB® C) is designed to provide fast access for the Fire & Rescue Service to building plans and information. For operational use, the HSS PIB® C was developed with firefighters to an exacting specification and is a recognised focal point in the event of an incident.

The HSS PIB® C is designed for all types of buildings, including High Rise Residential Buildings and is in line with the FIA (Fire Industry Association) & NFCC (The National Fire Chief's Council) Code of Practice as referenced in Approved Document B June 2022 amendments and Fire Safety (England) 2022 Regulation 4, following the recommendations of the Grenfell Inquiry.



**Fire and Safety
Centre**

Available From:

Fire and Safety Centre

15 Atkinsons Way, Foxhills Industrial Estate
Scunthorpe, North Lincolnshire, DN15 8QJ

Tel: 01724 281044 **Web:** www.fireandsafetycentre.co.uk

Email: sales@fireandsafetycentre.co.uk

Inside all Premises Information Boxes must be an Emergency Response Pack (ERP) which includes important building plans and information in A3 format to be used by the Fire and Rescue Service as referenced in Approved Document B June 2022 amendments and Fire Safety (England) 2022 Regulation 6.

Gerda Security Products are leaders in the provision of premises plans and information in the operational format required for firefighter use. We offer an efficient professional ERP Service which is FIA / NFCC Code of Practice compliant.



For further details please contact: enquiries@gerdasecurity.co.uk

Specification

- The Premises Information Box is constructed from steel
- The hinges are positioned internally to mitigate vandalism
- Powder coated to RAL 3002 (Carmine Red)
- Guaranteed against corrosion
- Offers weather proofing
- The door handle is attached to the right side of the door and is positioned centrally
- The unique shape of the Gerda 3d dimensional key® is trademarked.
- The key is protected against unauthorised copying and forms part of a registered key system.
- The unique key system is designed so PIBs, EACIE Enclosures and other restricted access systems may be opened by the Fire and Rescue Service (FRS) while building owners / managers have their own secure access for each of their systems
- The location of the key and it's turning direction is indicated by a metal escutcheon to the right hand side of the HSS PIB®, with a protective cover
- Metal signage is affixed with 4 security rivets; designed for longevity and fast identification for firefighters. FIA/NFCC Code of Practice compliant



Performance

- The HSS PIB®C is designed and, manufactured under the quality management system ISO 9001:2015
- The lock is designed to be operated by the Fire & Rescue Service One Key® System, meaning that you have your own keys for your PIBs, whilst the Fire and Rescue Service access through their GSP One Key® System
- The High Security PIB®C is successfully tested to STS205 BR2 (level II) – 'Requirements for burglary resistance of security cabinets & security enclosures
- The lock cylinder, certified to EN1303:2015, achieves best grades in all categories and is approved by Secured by Design, which is a police preferred specification



**Fire and Safety
Centre**

Available From:

Fire and Safety Centre

15 Atkinsons Way, Foxhills Industrial Estate
Scunthorpe, North Lincolnshire, DN15 8QJ

Tel: 01724 281044 **Web:** www.fireandsafetycentre.co.uk

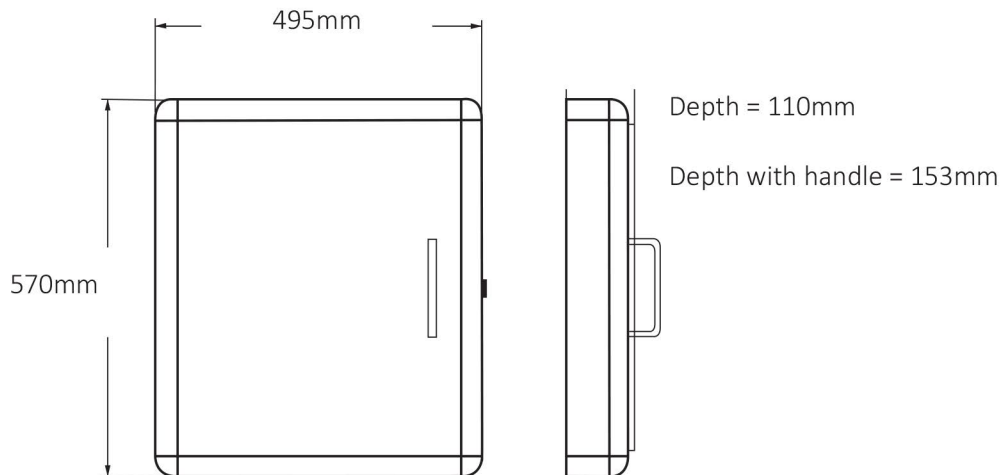
Email: sales@fireandsafetycentre.co.uk

Security

- Patented integral cylinder with 4 billion key combinations. Part of a British Standards Kitemarked system to BS3621; BS8621; BS10621 (KM 524077; KM 524079; KM 524081)
- Features of the lock include an anti-glue facility and anti-drill cylinder that uses the Hard Soft System, being formed of several composites of metal.
- The engineering of the box is such that the cylinder cannot be extracted
- The lock is positioned on the right side of the box in order to avoid the attention of vandals and to restrict manoeuvring room in the event of an attack
- The key hole is protected with a lock cover to prevent debris entering the lock

Dimensions

- The external size of the Premises Information Box is 570mm high x 495mm wide x 110mm deep



Internal Design

- Internally there is a Velcro strap for holding the A3 plastic splash-proof sleeves containing the plans and information in place, whilst allowing easy access
- The lock is contained in a secure partition

Installation

Tested to STS 205 BR2, it is important that the product is installed in the geographical area covered by the specific Fire & Rescue Service. At no point should a Premises Information Box be installed at a different location to its designated site. It cannot be relocated without prior consultation with Gerda Security Products Ltd.

The Premises Information Box (HSS PIB® C) is supplied with two metal clips to prevent the door from closing and locking shut. Please ensure these are kept in place until the installation is complete. Once the door is shut, access is only possible with the use of a registered key.

- It is recommended that the High Security Premises Information Box is attached to a wall which is at least 120mm thick. The substrate must be solid – either brick, blockwork or similar and appropriate fixings (100mm x 10mm minimum) must be used
- In line with the Approved Code of Practice recommendations, the bottom edge of the PIB enclosure should be located at least 1.4m above floor level to facilitate access by FRS crews wearing protective equipment.
- Where required due to risk of unauthorised access and vandalism it is permissible for the bottom edge of the PIB to be located at no more than 2.5m above floor level to facilitate FRS crew access by a short ladder.
- Please note that the Premises Information Box (HSS PIB®C) weighs nominally 25 kg.
- This means that at any stage of handling – manual handling guidelines must be adhered to (see HSE website for manual handling).
- It is recommended that a risk assessment is carried out prior to installation.
- Before drilling it must be ensured that the fixing points do not come into contact with any pipes or cables. If the box is located to open weather conditions, a silicone sealant can be applied to the back face of the back box wall around the fixings holes (between box and wall) this would help with weather tightness.
- Installation instructions and template are supplied with the HSS PIB®C



**Fire and Safety
Centre**

Available From:

Fire and Safety Centre

15 Atkinsons Way, Foxhills Industrial Estate

Scunthorpe, North Lincolnshire, DN15 8QJ

Tel: 01724 281044 **Web:** www.fireandsafetycentre.co.uk

Email: sales@fireandsafetycentre.co.uk