

Xpert™

Operation Manual



**Fire and Safety
Centre**

Available From:

Fire and Safety Centre

15 Atkinsons Way, Foxhills Industrial Estate

Scunthorpe, North Lincolnshire, DN15 8QJ

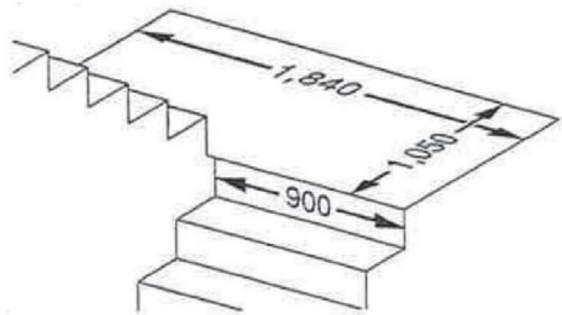
Tel: 01724 281044 **Web:** www.fireandsafetycentre.co.uk

Email: sales@fireandsafetycentre.co.uk

CAUTION FOR STAIRCASE

Ensure landing area is wide enough to turn Xpert before operating.

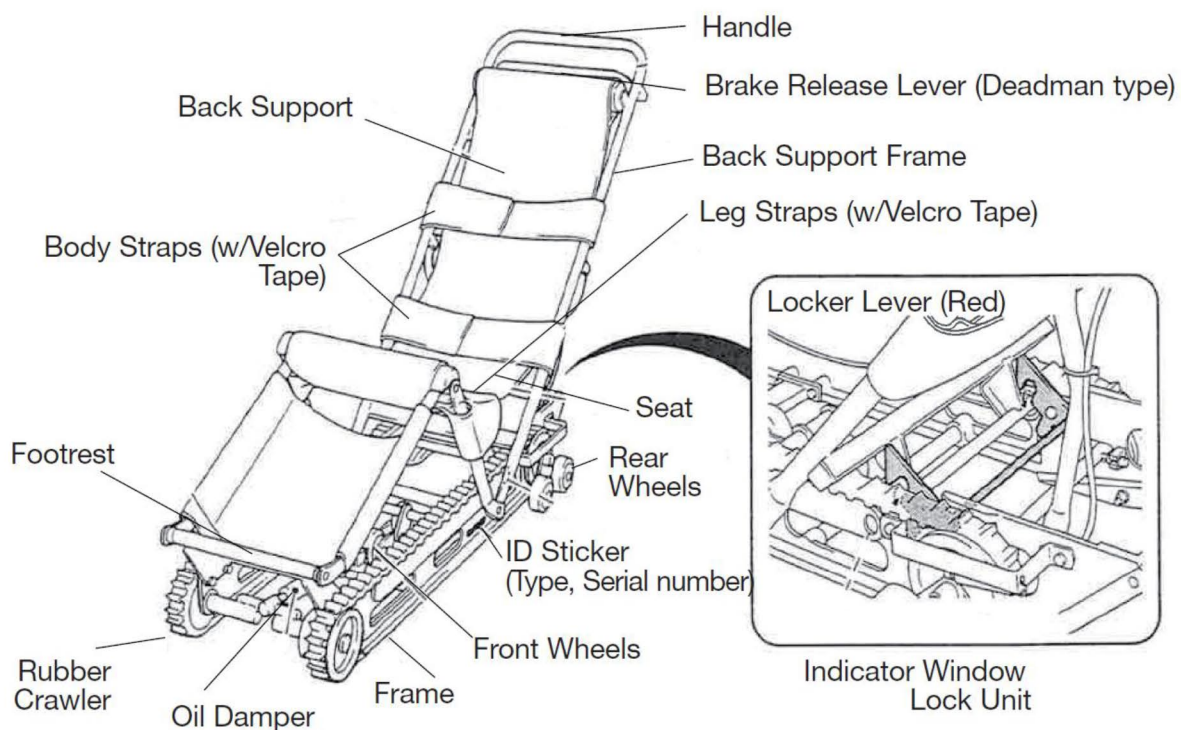
Minimum Dimensions for landing (mm) on right.



SPECIFICATIONS

Model	Xpert
Passenger	1 (Max. 135 kg)
Weight	20 kg
Speed Control	Oil Damper
Brake applied on the stairs	Deadman type manual brake
Max. length (mm)	1310 (operating) 1100 (folded)
Max. width (mm)	426 (operating) 426 (folded)
Max. height (mm)	810 (operating) 270 (folded)
Stair descent speed (m/ sec.)	1.1 (for passenger of 65kg and stair angle of 40°)

NAME OF EACH UNIT



**Fire and Safety
Centre**

Available From:

Fire and Safety Centre

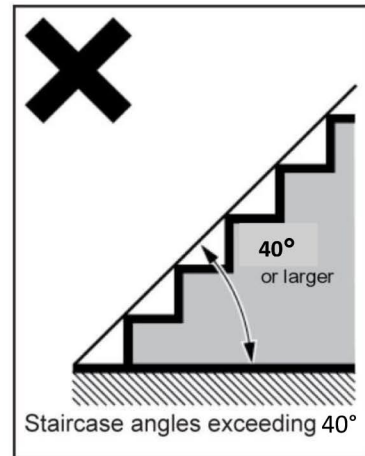
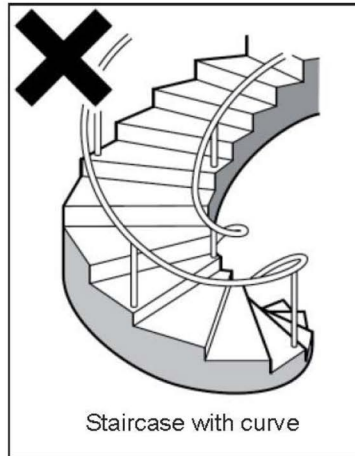
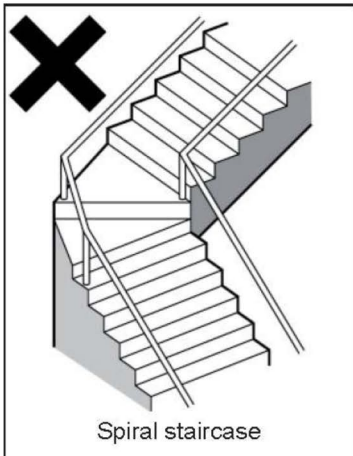
15 Atkinsons Way, Foxhills Industrial Estate

Scunthorpe, North Lincolnshire, DN15 8QJ

Tel: 01724 281044 **Web:** www.fireandsafetycentre.co.uk

Email: sales@fireandsafetycentre.co.uk

Xpert™ cannot be used on spiral staircases, curved staircases or staircase angles exceeding 40 degrees.



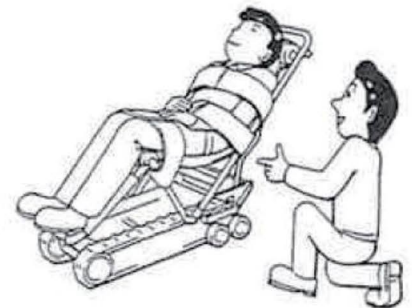
1. Always check Xpert before using it

- The operator must check Xpert before using it. The initial inspection is necessary for safe operation.



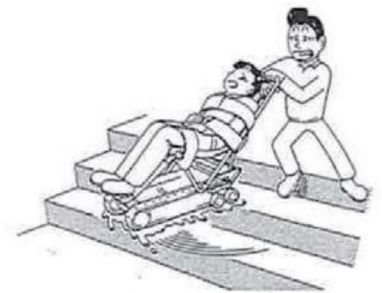
2. Safe Operation with proper knowledge

- The Operator needs sufficient training. Be sure that training is undertaken before the operator attempts to run this machine for the first time.



3. Operation on a staircase

- Never run the machine on a staircase exceeding 40 degrees angle, on a curved staircase, an oily staircase, an icy staircase, a wet or slippery staircase or any other inappropriate staircase.
- Obliquely ascending or descending the stairs will result in danger of serious accident. The operator must avoid oblique operation on stairs. Always approach the staircase squarely.
- Whenever running the machine downward, the operator must always pay attention to the front of the machine.



4. Machine Stoppage

- If the machine gives trouble, malfunctions or is damaged, immediately stop operating the machine. Running it with a trouble/ fault can result in a serious accident.



**Fire and Safety
Centre**

Available From:

Fire and Safety Centre
15 Atkinsons Way, Foxhills Industrial Estate
Scunthorpe, North Lincolnshire, DN15 8QJ
Tel: 01724 281044 **Web:** www.fireandsafetycentre.co.uk
Email: sales@fireandsafetycentre.co.uk