



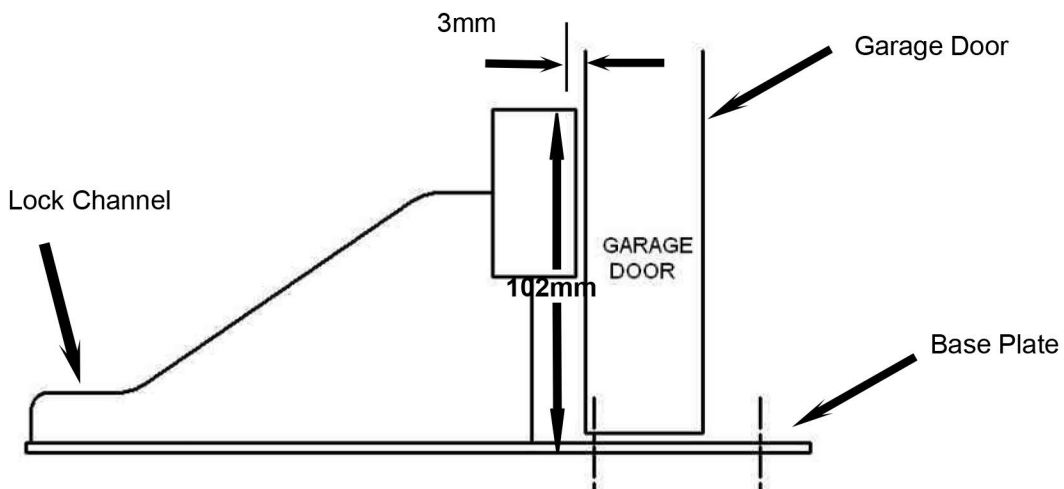
- Added protection for use on up and over garage doors.
- Simple to fit just 4 screws.
- Highly visible red powder coated finish.
- Complete with 70mm stainless steel disc padlock.
- Does not require holes to be drilled in garage door.

**Please Note:** To install the lock you require suitable fixings which are available from builders merchants or DIY stores.

**Warning:** For maximum security, you are advised to site the lock on a concrete base.  
**NOT ON LOOSE GROUND.**

## Fitting

1. Remove the padlock from the lock assembly.
2. With the base plate and lock channel positioned in place, push the assembly under the garage door in a central position.
3. Allow a gap of approximately 3 mm between the garage door face and garage door.
4. Remove the lock channel from the base plate without disturbing the position.
5. Open the garage door to check that the door clears the base plate.
6. Mark the position of the holes.
7. Drill and fix the base plate using appropriate fasteners.



Should you wish to obtain additional keys, a local locksmith may be able to copy one of the original keys.

We have taken every care in the design and manufacture of this security device and we believe that it is an effective deterrent. However we cannot guarantee that it will resist the efforts of the most determined thief, and as such we do not accept any liability for loss or damage caused by theft, vandalism or other illegal activity against property to which this device is fitted.