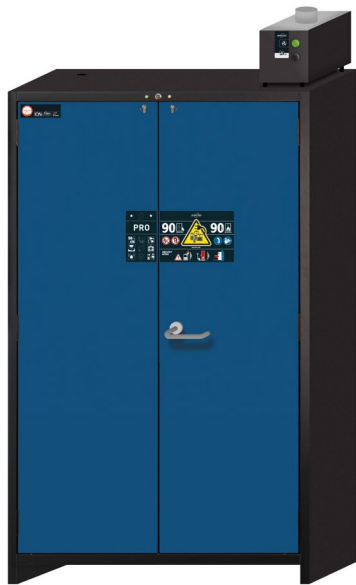


ID-Nr. 41269-047
Model IO90.195.120.PC.WDC



safety storage cabinet for lithium-ion batteries ION-PRO-90
Model IO90.195.120.PC.WDC, body colour anthracite grey
(RAL 7016), with wing doors in gentian blue (RAL 5010)

Function / construction:

- **Robust construction and longevity:** robust, high-quality, scratch-resistant outer body with powder-coated textured surface
- **Convenient cabinet entry:** open both doors at the same time with just one hand.
- Integrated potential-free alarm contact for strongly recommended alarm forwarding. Optionally available with relay module and module for remote signalling.
- **No unauthorised use:** doors lockable with cylinder locking (integration in an existing locking system possible) and locking state indicator (red/green). Permanent locking of the doors by automatic 2-point locking.
- **Integrated transport base:** In the event of an emergency, immediate evacuation and transport of the cabinet to a safe place outdoors.
- **Easy alignment:** adjusting aids to compensate for uneven floor
- Smoke detector and temperature sensor for fire detection and forwarding the alarm to the building management system.
- Extraction unit to prevent heat build-up during battery charging.
- Pressure relief in the head section
- **All-around protection:** 90 minute fire protection from outside to inside (type 90 / type tested in accordance with EN 14470-1) and for more than 90 minutes fire resistance for fires from inside to outside
- LED display with visual and audible alarm for a quick indication of emergencies without opening the cabinet doors.
- **Fire suppression system:** Triggers in the event of a fire inside the cabinet automatically.

Dimensions	
Width (external)	1193.00 mm
Depth (external)	615.00 mm
Height (external)	2224.00 mm
Width (internal)	1050.00 mm
Depth (internal)	522.00 mm
Height (internal)	1647.00 mm

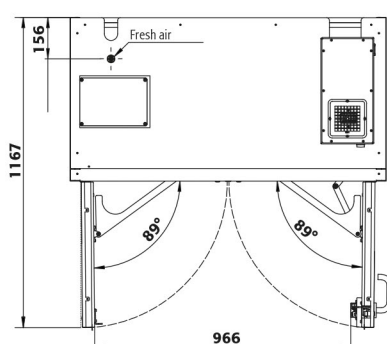
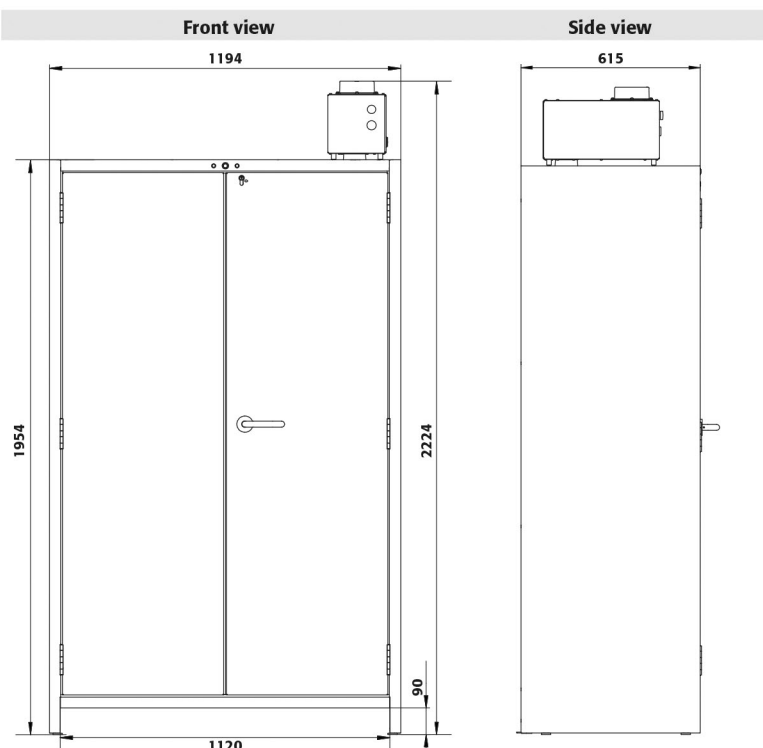
Weight / Load	
Weight without interior equipment	424 kg
Distributed load	531.00 kg/m ²
Maximum load	600 kg

Ventilation	
Frequency	50/60 Hz
Nominal voltage	230/400 V
Power consumption in operation	47,5 W

Outlet strips (Charging power)	
Fuse (1-phase)	16 A
Power max. (1-phase)	3,68 kW
Fuse (3-phase)	3 x 16 A
Power max. (3-phase)	11,04 kW

Colouring / Surface finish	
Body colour code	RAL 7016
Body colour	anthracite grey
Body surface finish	textured
Door / Drawer colour code	RAL 5010
Door / Drawer colour	gentian blue
Door / Drawer surface finish	textured

General Information	
Number of doors	2
Door opening angle	89,50°
Depth with open doors	1167 mm
Entry width transport base	1120 mm
Entry height transport base	90 mm
Customs tariff number	94032080



Fire and Safety Centre

Available From:
Fire and Safety Centre
 15 Atkinsons Way, Foxhills Industrial Estate
 Scunthorpe, North Lincolnshire, DN15 8QJ
Tel: 01724 281044 **Web:** www.fireandsafetycentre.co.uk
Email: sales@fireandsafetycentre.co.uk