



INSTRUCTION MANUAL

SLOW JUICER

Distributed by:
Empava Appliances Inc.
15253 Don Julian Rd, City of Industry, CA 91745 USA
www.empava.com

NOTICE

- Please retain these instructions for future reference.
- Do not allow children to operate this appliance. Keep appliance out of reach of children.
- Place appliance on a stable and level surface.
- This item is intended for indoor, household use only.
- Using an extension cord is not recommended as it may overheat and cause a risk of fire.
- Ensure that your voltage is consistent with specifications.
- Do not plug appliance into the same circuit as other appliances.
- Routinely check if the appliance or power cable is damaged.
- This appliance is not intended for use by persons (including children) with reduced physical, sensory or mental capabilities, or lack of experience and knowledge, unless they have been given supervision or instruction concerning use of the appliance by a person responsible for their safety.
- If any parts are missing, broken, damaged, or worn, stop using this product until repairs are made and/or factory replacement parts are installed.
- Do not use this item in a way inconsistent with the manufacturer's instructions as this could void the product warranty.

WARNING

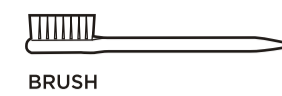
- Keep appliance away from direct sunlight and other sources of heat (stove, heater, etc.).
- Do not run power cord over sharp edges/corners or a hot surface.
- Do not put the appliance in water or any other liquid.
- Do not spill water on the electrical components or connectors.
- Do not operate appliance with wet hands.
- Do not unplug the appliance by pulling on the power cord. Always grasp the plug firmly and pull straight out from the outlet.
- Do not insert your hand or other objects into the appliance during operation.
- Do not move this appliance or touch any of its components while it is in motion.
- Always wait until parts come to a complete stop before removing accessories.
- Do not use if the plug or any components are damaged.
- Do not use any accessory or fitting other than original accessories and fittings.
- Do not use this appliance with an external switching device or timer.

SPECIFICATIONS

Voltage	110 Volts, 60 Hz
Power	150 watts

Pg. 2

ACCESSORIES

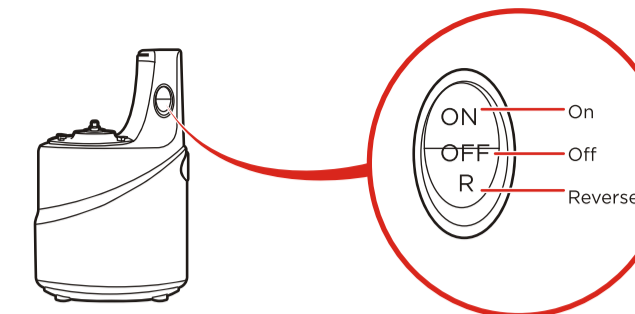


PARTS

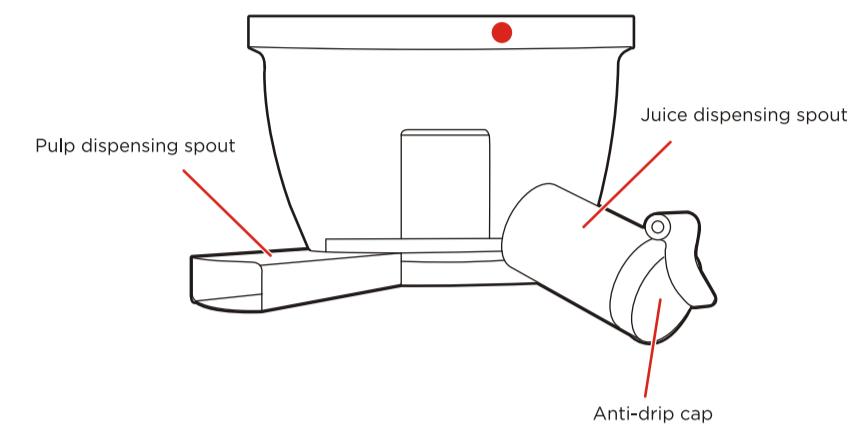


Pg. 3

POWER SWITCH



SEPARATOR



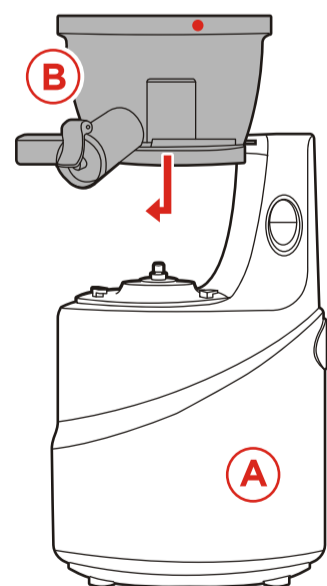
BEFORE FIRST USE

1. Remove all packaging and accessories.
2. Wash parts with warm water, mild detergent, and a soft cloth.
3. Wipe down motor unit with warm water and a soft cloth.
4. Thoroughly dry all parts.
5. Place appliance on a stable and level surface.

Pg. 4

PRODUCT ASSEMBLY

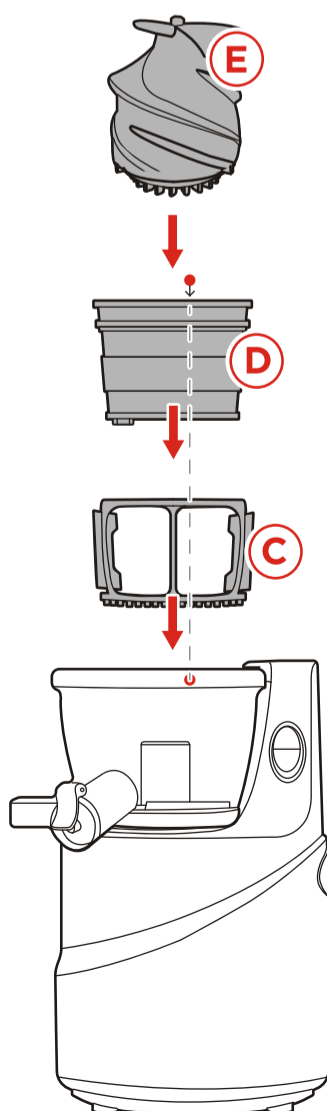
- 1** Insert the part B separator into the part A motor unit. Turn the separator clockwise to lock it in place.



- 2** Insert the part D basket into the part C basket support.

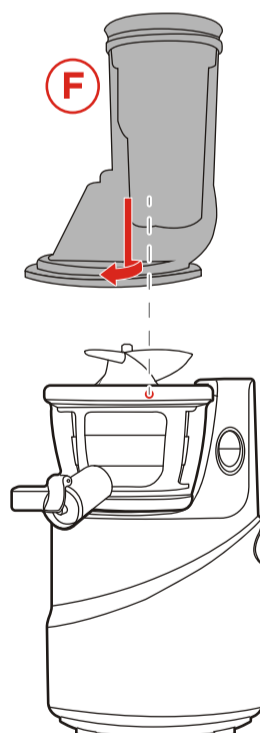
Line up the red dots on the basket with the separator, then insert the basket into the separator.

Insert the part E scroll into the basket until it locks into place.

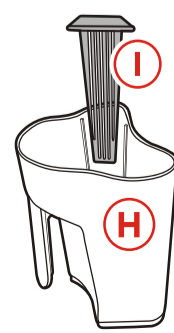


PRODUCT ASSEMBLY

- 3** Line up the red dots on the part F hopper with the separator, then place the hopper. Turn the hopper clockwise to lock it in place.



- 4** Insert the part I filter into a part H pitcher. This pitcher is the designated juice pitcher.



- 5** Insert the part G pusher into the funnel of the hopper. Place the part H juice and pulp pitchers in their designated place under the juice and pulp spouts.



Juice pitcher (with filter) **H** x2

Pg. 6

USAGE TIPS

- Unplug appliance if it is left unattended and before assembly, disassembly, or cleaning.
- Unplug appliance after each use and before changing accessories or handling parts.
- Appliance includes sharps parts. Take extreme care when handling parts during assembly, disassembly, or cleaning.
- Do not use the appliance empty or unloaded.
- Do not use appliance if the basket is damaged.
- Remove seeds and pits from fruits and vegetables before juicing.
- If using frozen fruit, always add juice or milk.
- Never push food with hands or other utensils; always use the provided pusher.
- Do not allow appliance to operate longer than 1 minute at a time. Appliance must cool for 15-20 minutes after 1 minute of continuous operation.
- Appliance has a safety lock and cannot operate if it is not correctly assembled.
- This appliance is equipped with overheating protection. If the motor overloads or overheats, the unit will automatically stop.
- If motor overheats, stop operation for about 15 minutes. Do not operate the appliance until it has cooled.
- Turn off, unplug, and clean after every use.

OPERATING INSTRUCTIONS

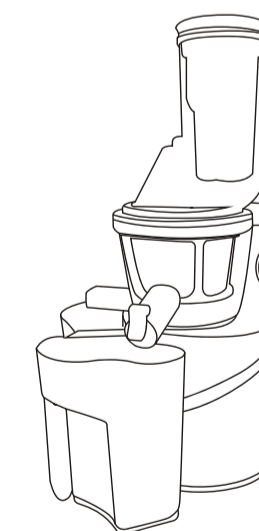
1. Cut food into pieces small enough to fit into the funnel of the hopper.
Note: Fruits and vegetables smaller than 3 inches in diameter can be inserted directly into the hopper.
2. Make sure the cap of the juice spout is open. Plug appliance into a wall outlet and turn it on.
3. Use the pusher to push food into the funnel of the hopper. Push food against the blade to make juicing easier. The juice and pulp are separated automatically.
Note: To dislodge jammed food and/or maximize the amount of juice you get, switch to the R position to put the basket in reverse.
4. When finished, switch to the OFF position to turn the juicer off. Close the cap of the juice spout and empty the pitchers.

CLEANING

- Unplug the appliance before cleaning or storage.
- Wash parts with warm water, mild detergent, and a soft cloth.
- Wipe down motor unit with warm water and a soft cloth.
- Do not clean with steel wool or abrasive detergents.
- Place the parts in a well-ventilated place to dry. Allow parts to thoroughly dry before reassembling the appliance.

Pg. 7

ASSEMBLY COMPLETE!



WARNING

Manufacturer and seller expressly disclaim any and all liability for personal injury, property damage or loss, whether direct, indirect, or incidental, resulting from the incorrect attachment, improper use, inadequate maintenance, or neglect of this product.

Pg. 5

Make sure the silicone seal is properly installed inside the separator.