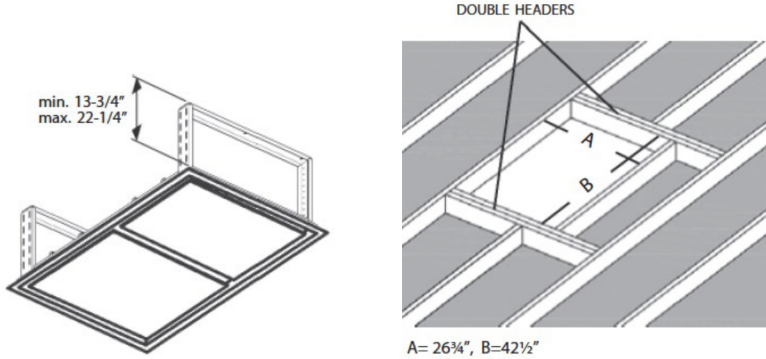


## PREPARE THE CEILING OPENING

The hood should always be centered over the cooktop. Make sure there is adequate space in the ceiling structure to install the hood and ductwork. The hood should be mounted 36" to 72" above the cook top to ensure the best removal of cooking impurities. Use joist-size lumber to frame around the range hood opening. The ceiling structure must be able to support the weight of the hood. (110 pounds)



## PREPARE THE HOOD SUPPORT

Construct a wood framing system as shown in the drawing below

The structure must be capable of supporting its own weight, plus the weight of the hood. (110 pounds)

