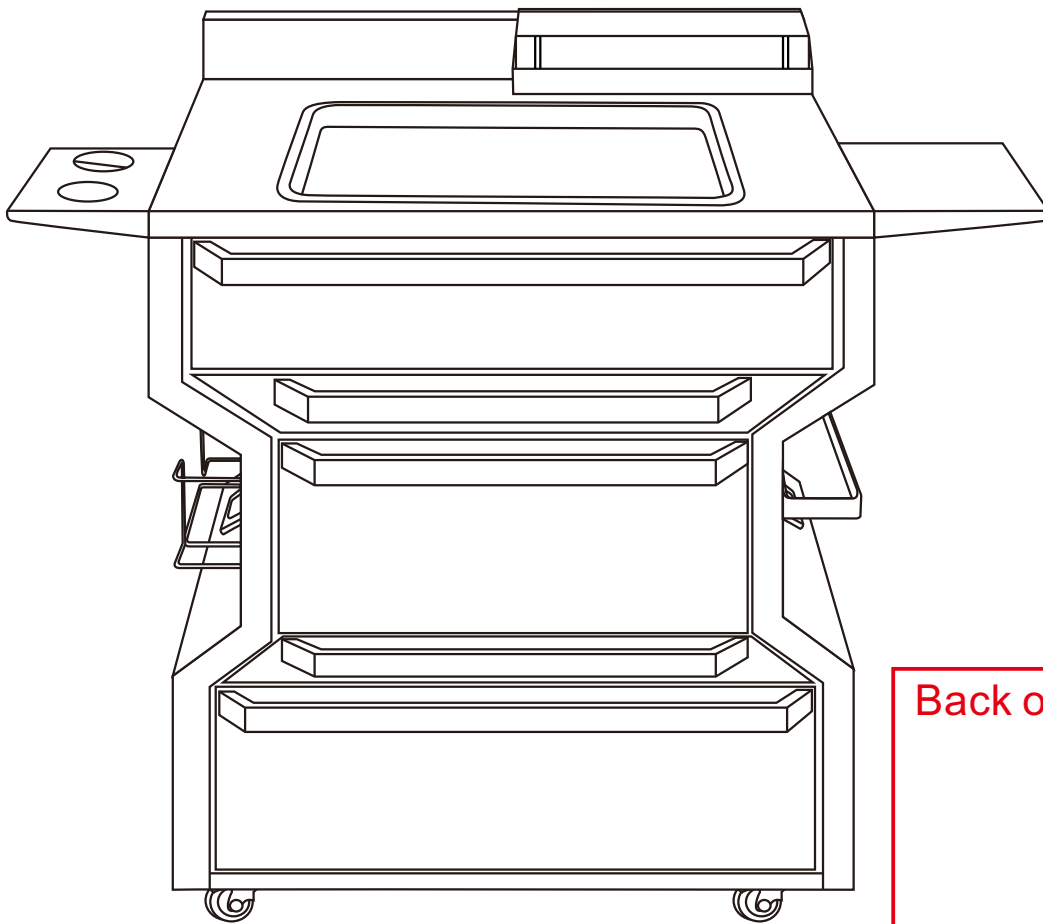


# FORTE CART FTE-CART

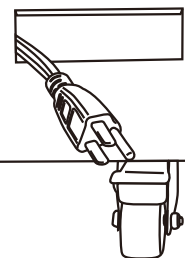


## **WARNING:**

Over-tightening of screws and bolts will damage the station and cause metal frame to bend.



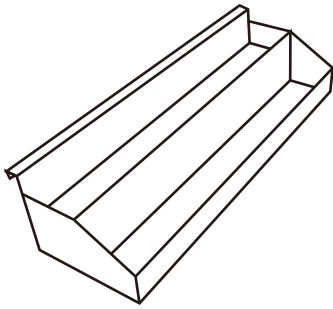
## **Back of cart**



## **WARNING:**

Cord does not extend. Do not pull. To connect plug into wall socket, use an extension cord.

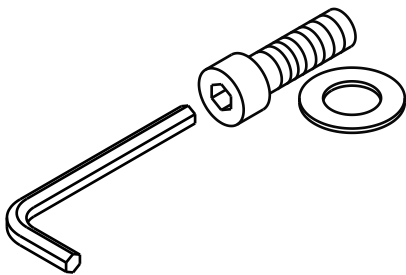
# CONTENTS



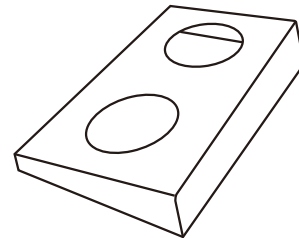
A. Ink Holder 1 pcs



B. Stainless Steel Medical Tray 1 pcs



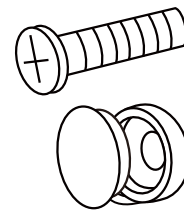
C. Screws M6x16 4 pcs  
Washer  $\phi$ 6X13X1 4 pcs  
M5 Allen Wrench 1 pcs



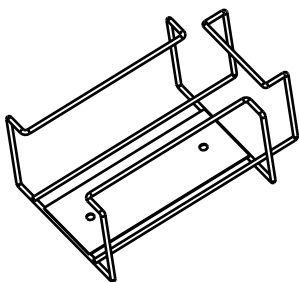
D1. Rinse Cup Holder 1 pcs



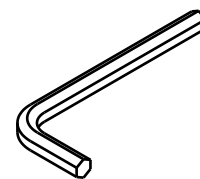
D2. Power Supply Holder 1 pcs



E. Screws M6x12 2 pcs  
Screw caps 2 pcs

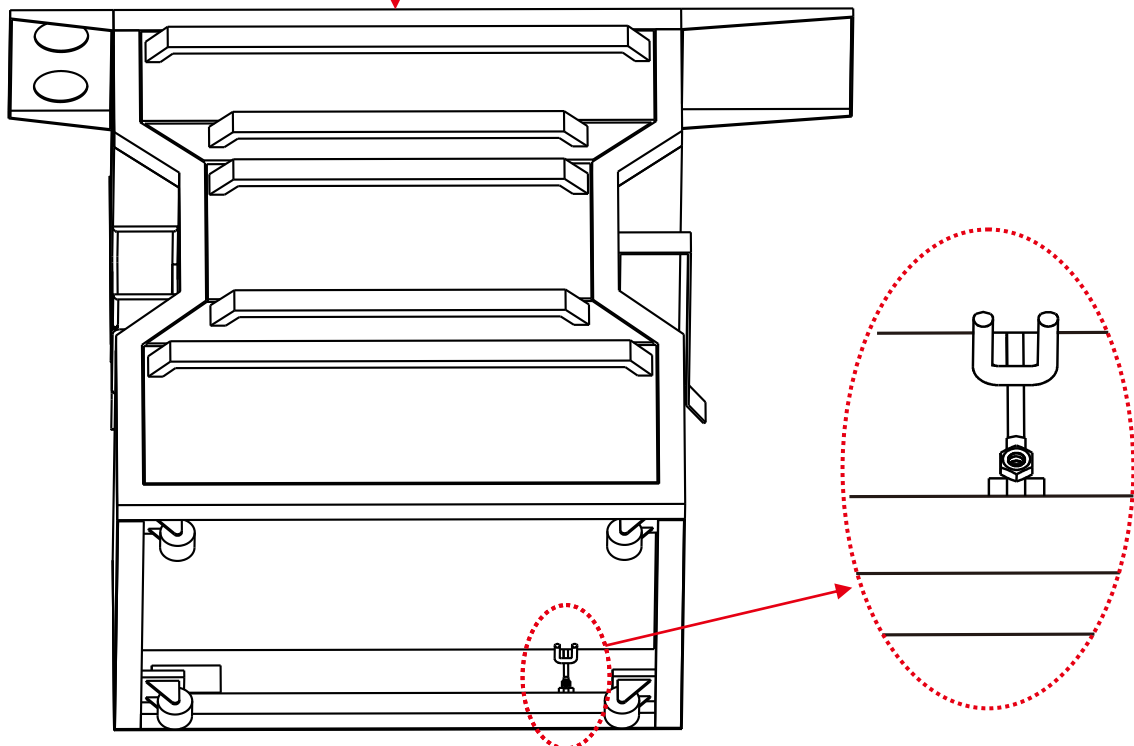
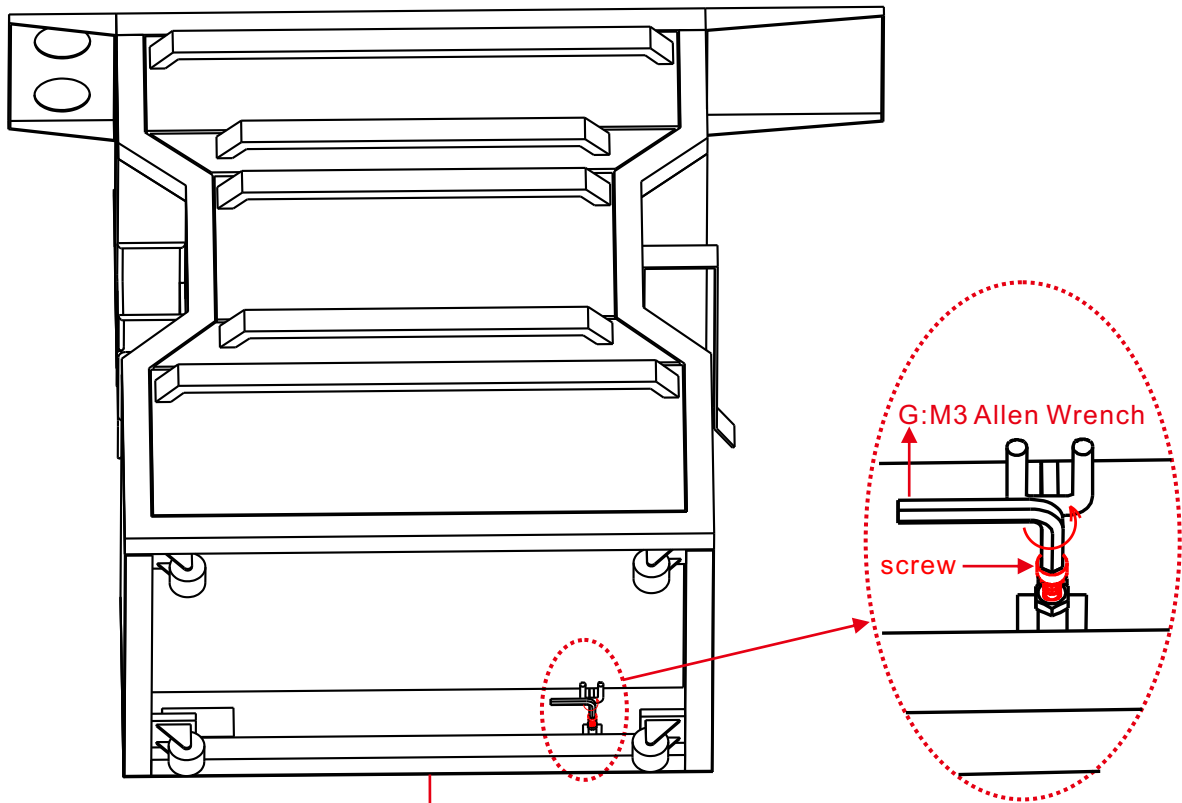


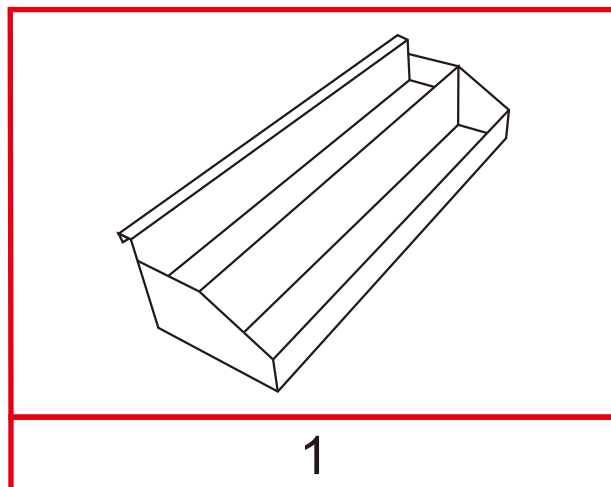
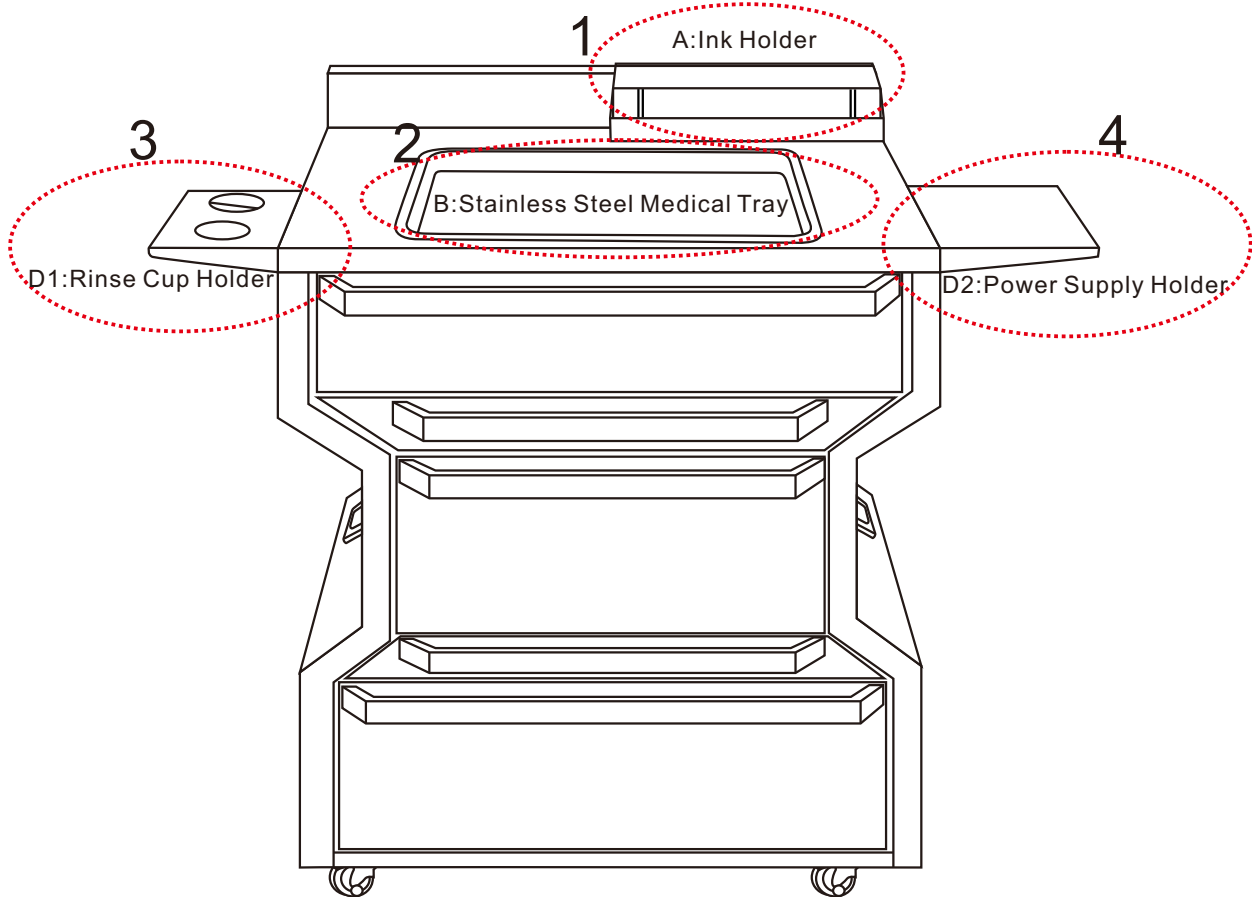
F. Glove Box 1 pcs



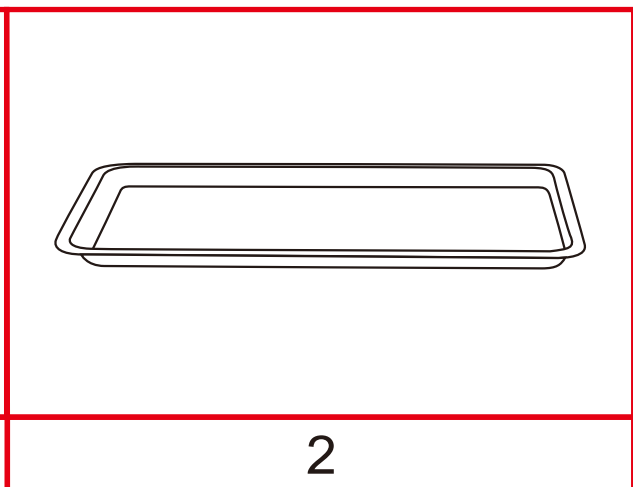
G. M3 Allen Wrench 1 pcs

Use the M3 Allen Wrench remove screw before used.





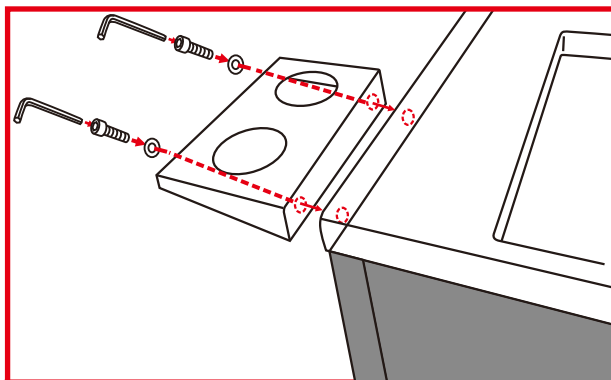
1



2

Step 1 : Ink Holder can be hooked over the back of the Forte Cart for stability.

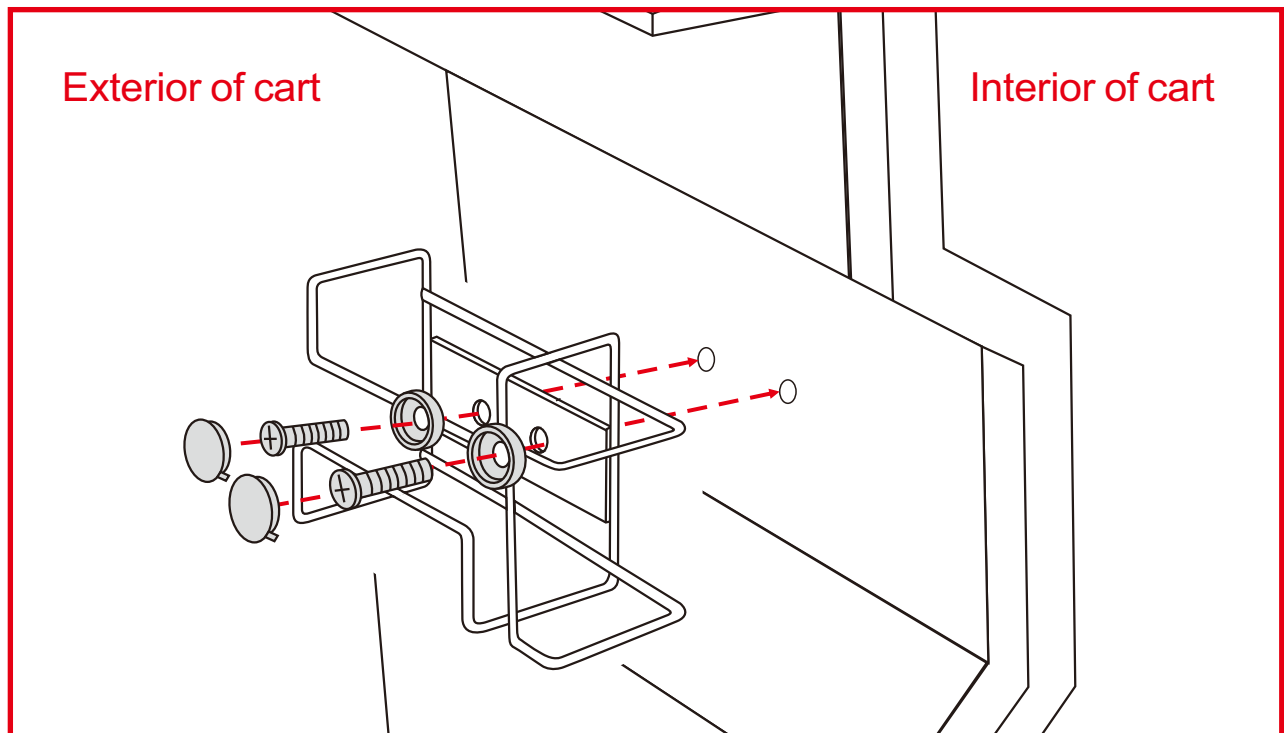
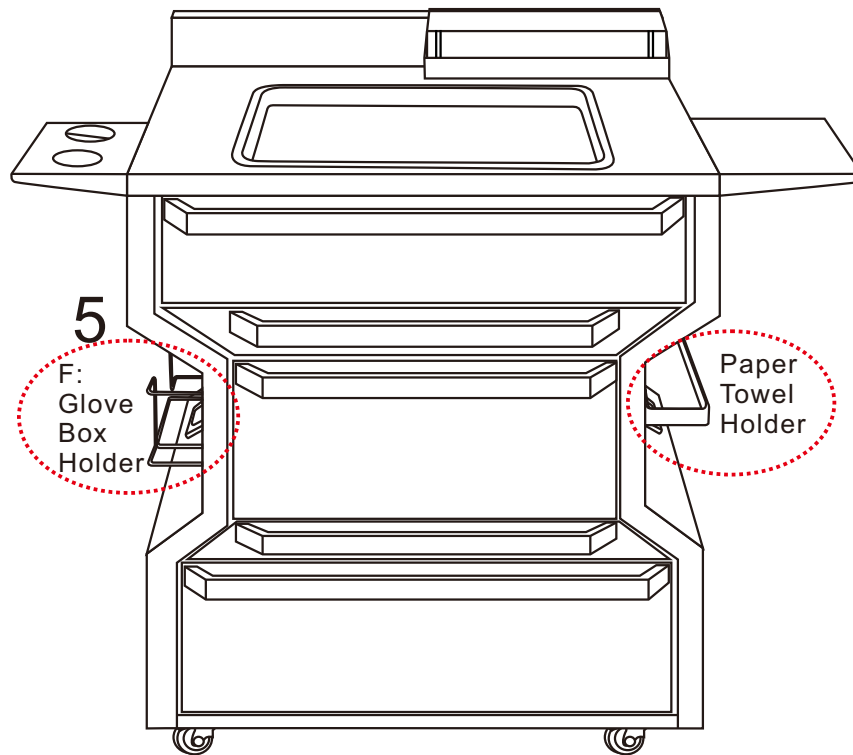
Step 2 : Place removable stainless steel medical tray into recessed area of Forte Cart top.



3、 4 (use screws C)

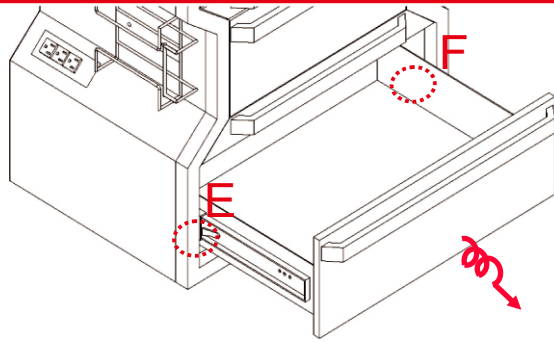
Step 3、 4 : Using M5 Allen wrench, Screws, and Washers (C) , attach Rinse Cup Holder (D1) & Power Supply Holder (D2) to side of Forte Cart as shown.

Paper towel holder and glove box holder can be mounted on either side of the cart. Simply remove the middle drawer, remove screws mounting the holders, and remount in the desired side.

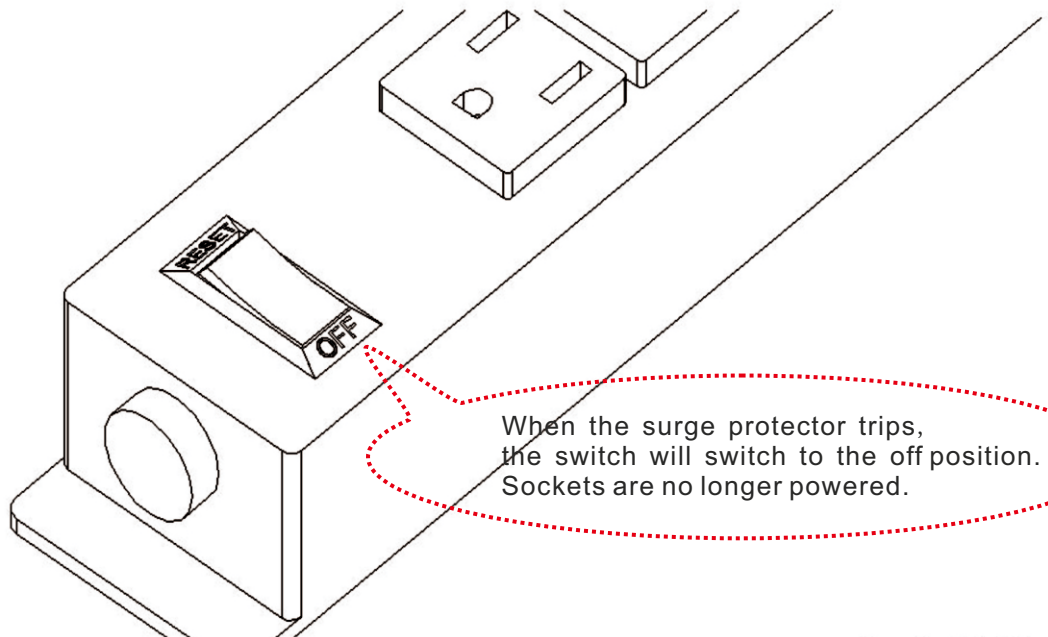
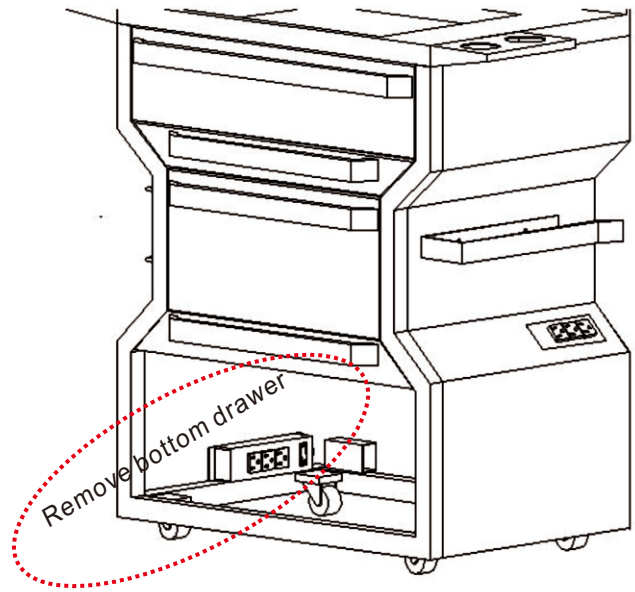


Step5: Attach glove box holder by screwing 2 screws with spacers into the pre-drilled holes. Attach screw caps to each. (use screws E)

# US SOCKET : HOW TO RESET THE FUSE



- To remove the drawer:
1. Empty drawer of its contents
  2. Apply pressure to hinge upwards / downwards respectively
  3. Pull drawer out slowly



Press the switch to reset the surge protector. Once pressed current will flow and the sockets will become live.

