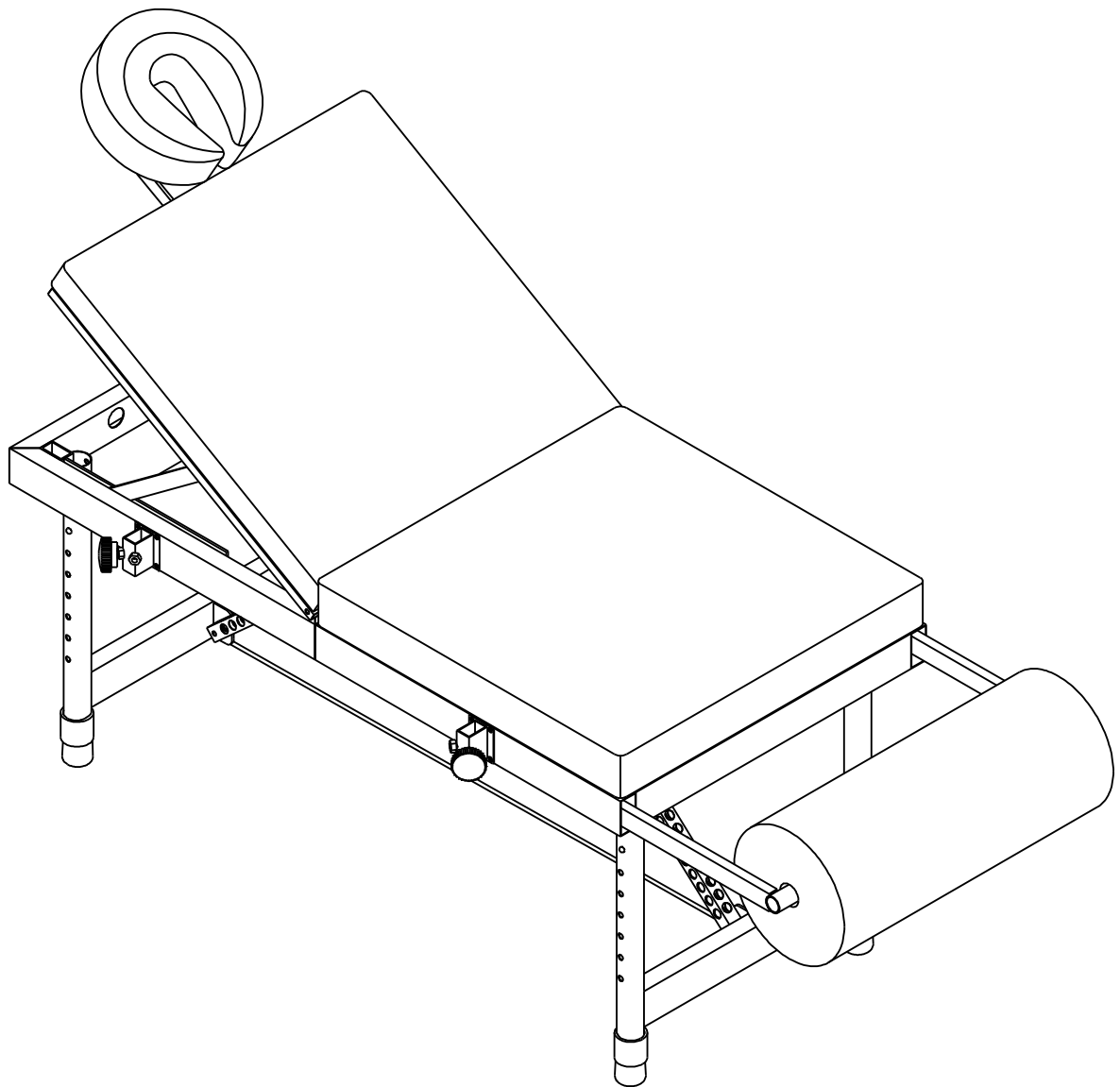
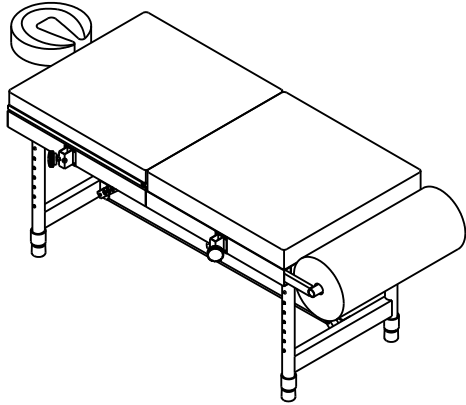


INSTRUCTION MANUAL
TATsoul X-Mini Portable Tattoo Table



PRODUCT DESCRIPTION



PRODUCT SPECIFICATIONS

Product Size: 1010X500X530mm

Each Cushion Size: 500X500mm

Minimum height: 530mm

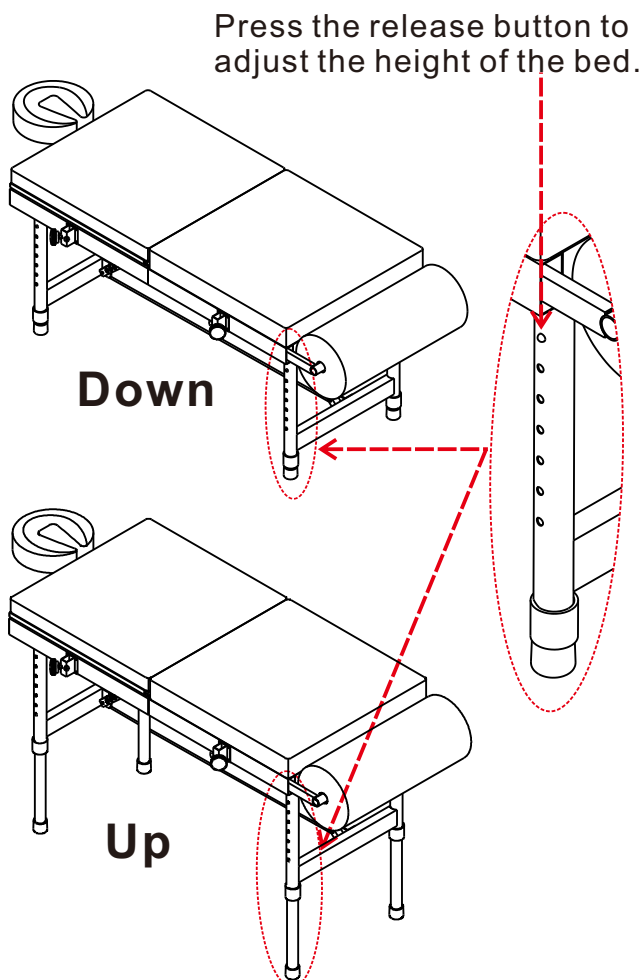
Maximum height: 740mm

N/W: 12.5 kg

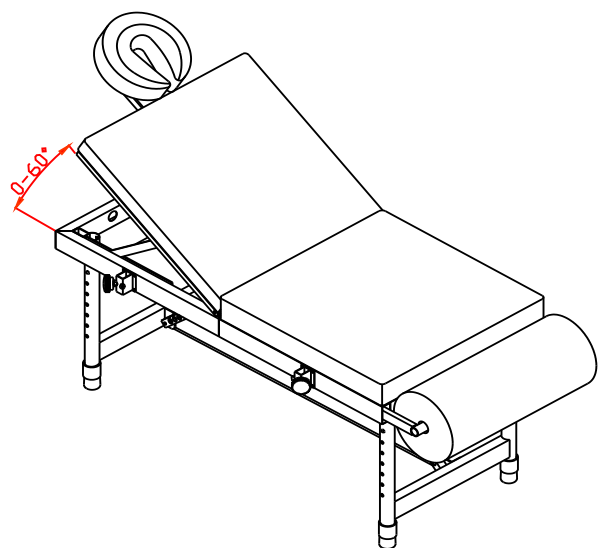
G/W: 16.5 kg

PRODUCT FUNCTION

1. The function of adjusting height.

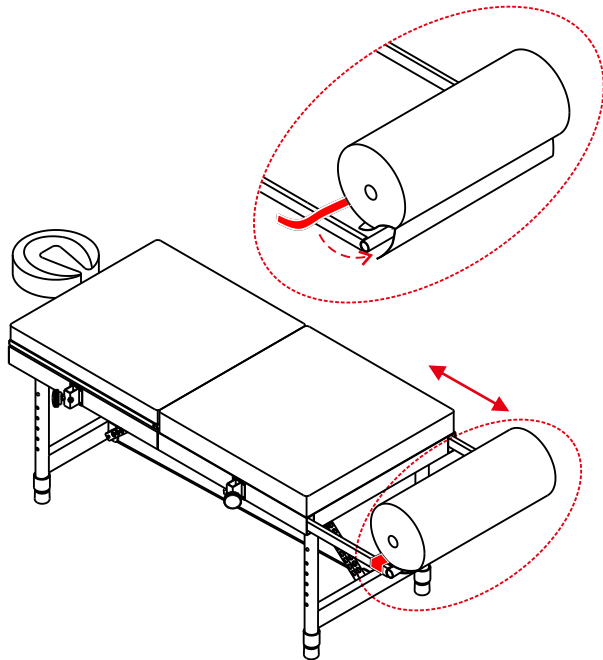


2. Lift back rest upwards to desired orientation, range is between 0-60°.

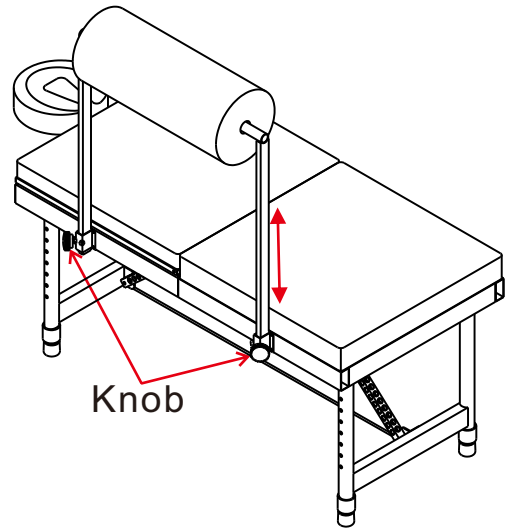


PRODUCT FUNCTION

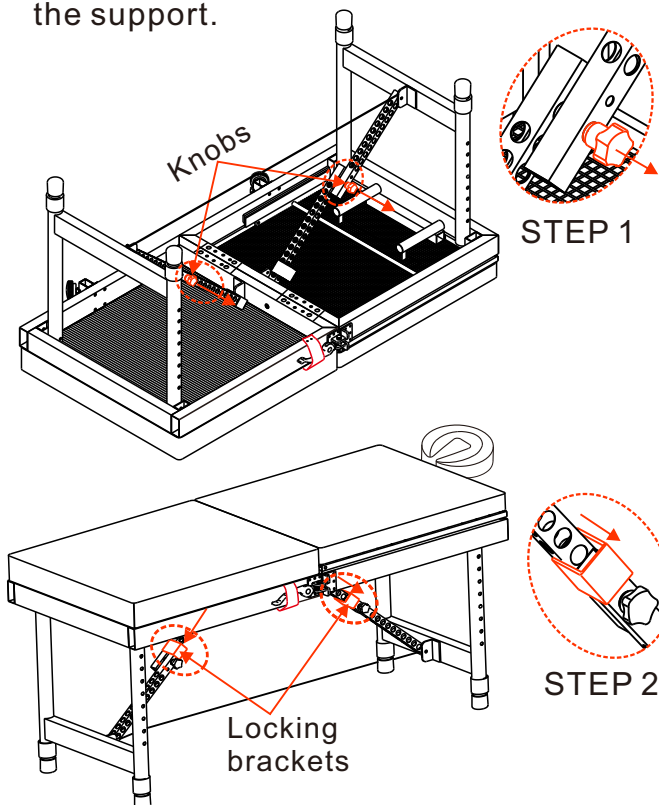
3. In the close-up shown below, attach the cylindrical foot rest to the metal bar. The foot rest bar can be adjusted laterally to accommodate desired length.



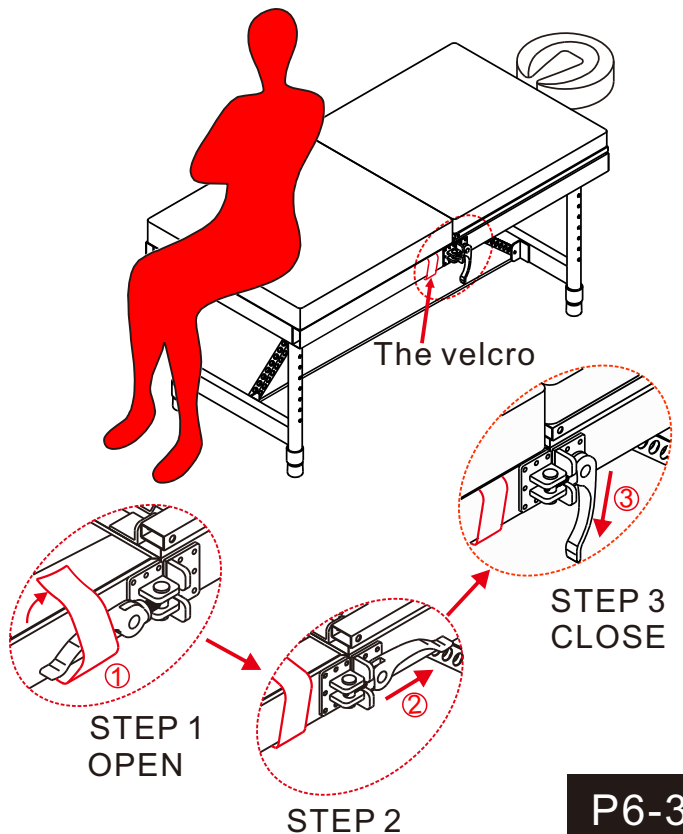
4. The leg rest can be placed onto the side of the X Mini, allowing for stabilization of the body when sitting on the table.



5. This must be done before using the bed.
 Step1: After opening the bed, please pull the red knobs in the direction of the arrow, and then lock it when align the leg tube.
 Step2: In the direction of the arrow, lock the locking brackets of the leg tube to reinforce the support.



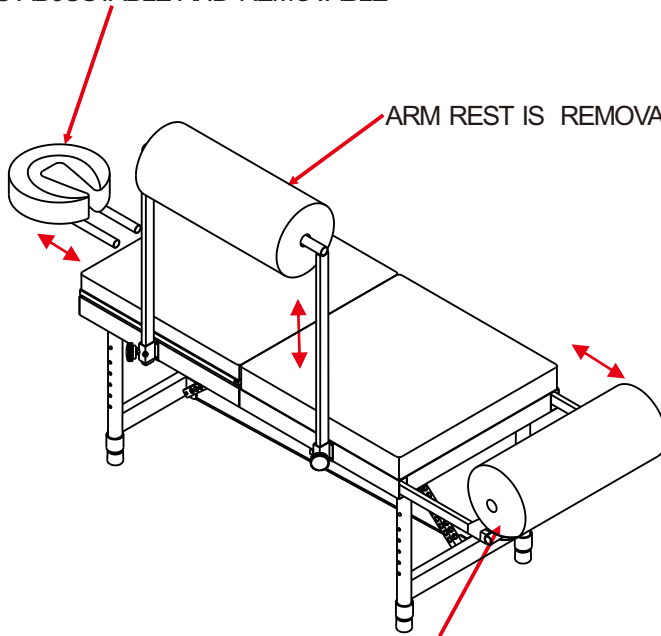
6. In the diagram shown, the lock must be set in place before sitting on the edge of the bed to prevent the bed from folding. Make sure the lock snaps into place against the bed to prevent damage.



OPERATING INSTRUCTIONS

HEADREST IS ADJUSTABLE AND REMOVABLE

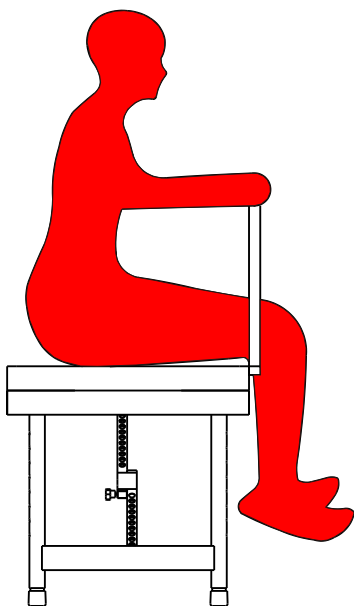
ARM REST IS REMOVABLE



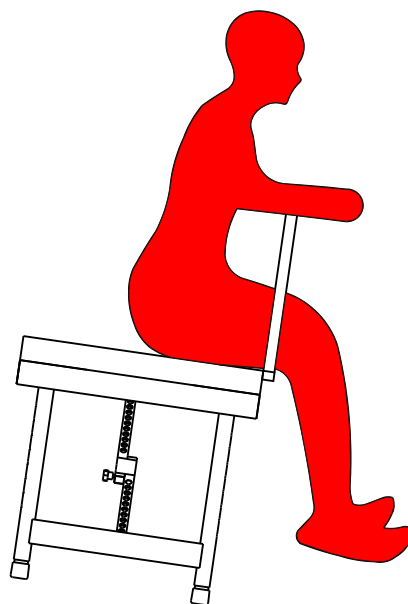
LEG REST IS REMOVABLE

WARNING

Correct



Wrong



WARNING:

In straddle position, sitting on the edge of the table may cause it to tip over.

VINYL AFTERCARE

1. Use soft cleaning implements. Only clean your vinyl seats with soft sponges, dish cloths, and soft-bristled brushes. This will ensure your vinyl seats last for many years. Using steel wool, sharp cleaning tools, or similarly abrasive cleaning implements could cause your vinyl seating to tear.

2. Wash your vinyl with soapy water. Mix a small amount of mild dish soap with warm water until the mixture is sudsy. Dip a soft-bristled brush or soft cloth in the water. Scrub the vinyl seats until clean.

3. Do not use abrasive cleaning compounds. Undiluted bleach, for instance, is too caustic to use on vinyl. Over time, cleaning your vinyl seats with bleach will cause them to break down.^[6] Likewise, avoid cleaning compounds containing:^[7]

- concentrated detergents
- silicone oils
- waxes
- petroleum distillates
- dry cleaning fluids
- solvents
- acid-based cleaners

CONTACT INFORMATION:

If you have any questions about our products, feel free to contact us via email or by phone. We are available via telephone during PST business hours. We try to respond to emails within a few hours of their receipt, even during evenings and weekends.

General Information:

Email: sales@tatsoul.com

Fax: 1-800-768-5643

Sales:

Email: sales@tatsoul.com

Telephone: 1-888-TAT-SOUL
(1-888-828-7685) Option 1

Technical Support:

Email: support@tatsoul.com

Telephone: 1-888-TAT-SOUL
(1-888-828-7685) Option 2