

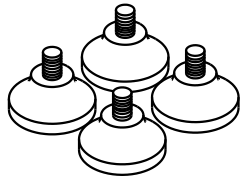
Components Check List



Hydraulic Pro Lite (fc-365)



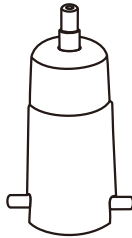
CONTENTS



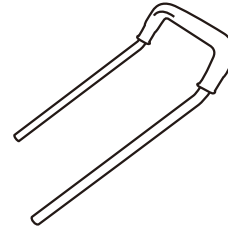
D(60001) Adjustable Foot Pegs
φ 48x10x30 4 pcs



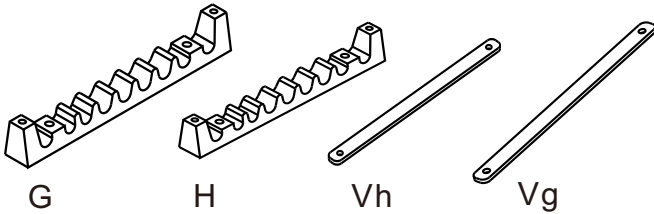
T1 (60009) Since The Lock Nuts
M6 4 pcs
T2 (60010) Base Washer
φ 6x16x1.5 4 pcs
T3 (60011) Split Lock Elastic Gasket
φ 6 4 pcs



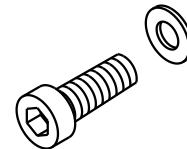
E(60002) Hydraulic Pump 1 pcs



F(60003) Hydraulic Lift Lever 1 pcs



G(60004) Back Teeth 1 pcs
H(60005) Leg Teeth 1 pcs
Vg(60019) Teeth Cover Bar 1 pcs
Vh(60019.5) Teeth Cover Bar 1 pcs



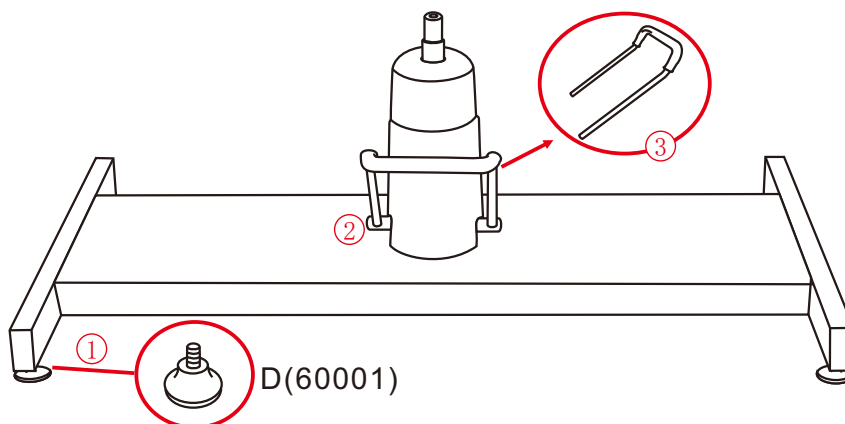
J(60007) Bolts M8x25 6 pcs
K(60008) Washers φ 8x17x1.5 6 pcs



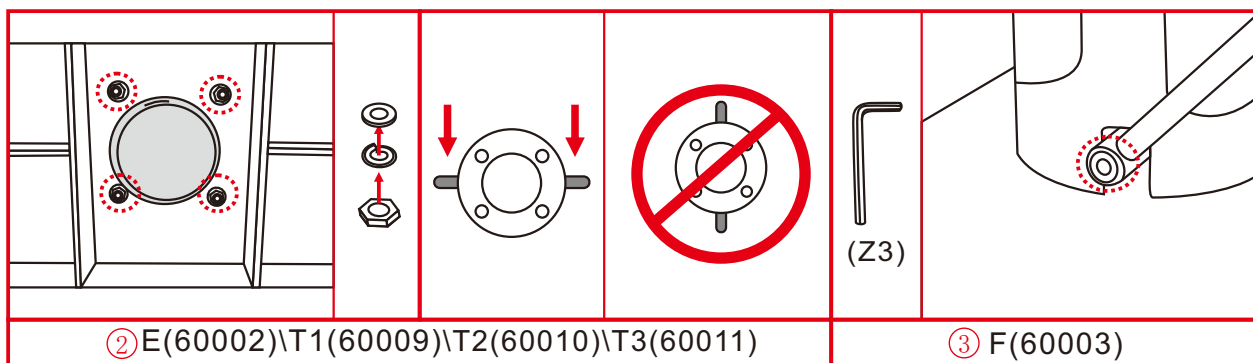
X(60020) Teeth Cover Bolts
M5x8 4 pcs



R(60015) Bolt M10x25 1 pcs
Washer φ 10x20x1.5 1 pcs
Gasket φ 10 1 pcs
Z1(60016) M8 Allen Wrench 1 pcs
Z2(60017) M6 Allen Wrench 1 pcs
Z3(60018) M4 Allen Wrench 1 pcs

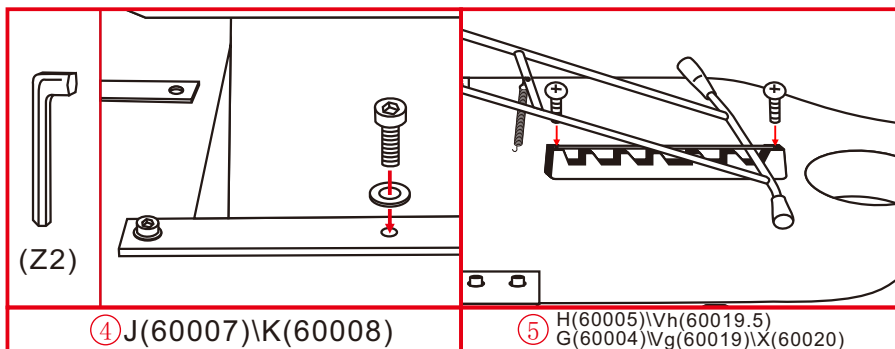
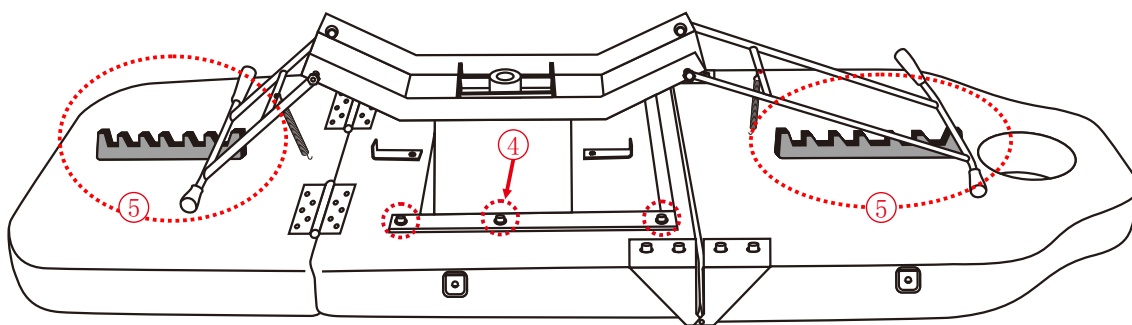


Step1. Screw foot pegs into base.



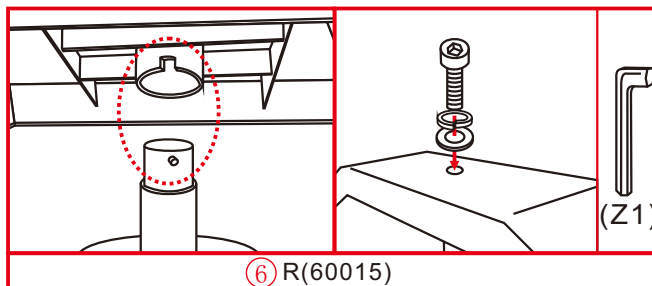
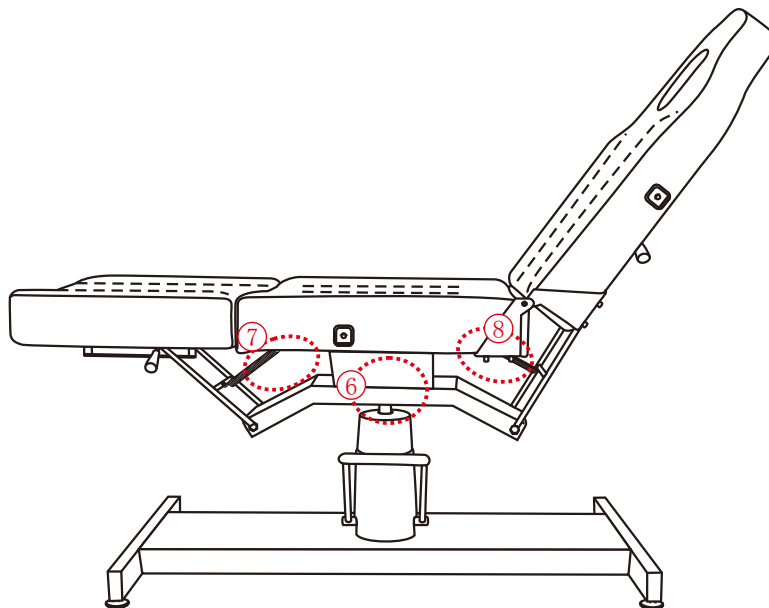
Step2. Fasten base to lift with base washers & gaskets & since the lock nuts.

Step3. Using Allen Key Z3, attach lift lever to piston housing.

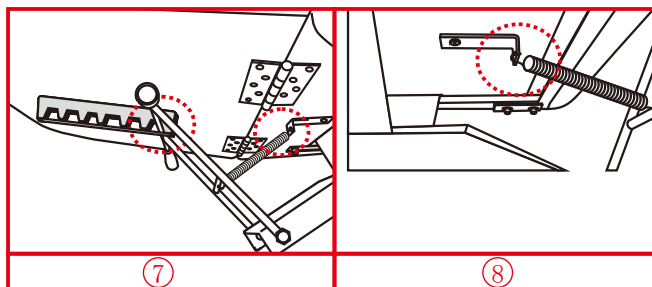


Step4. Fasten Seat Frame Bracket to bottom of seat with frame bolts & washers.

Step5. Insert Back&Leg Adjustment Bar into Back&Leg Teeth, then fasten Back&Leg Teeth Cover Bar over top with cross bar mounting screws.

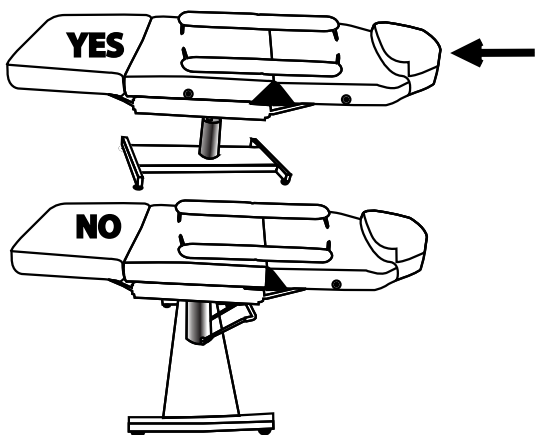


Step6. Place Seat Frame Bracket on to lift piston, aligning seat frame notch with piston peg. Then Fasten Seat Frame Bracket to Lift Piston, using bolt with washer and gasket.

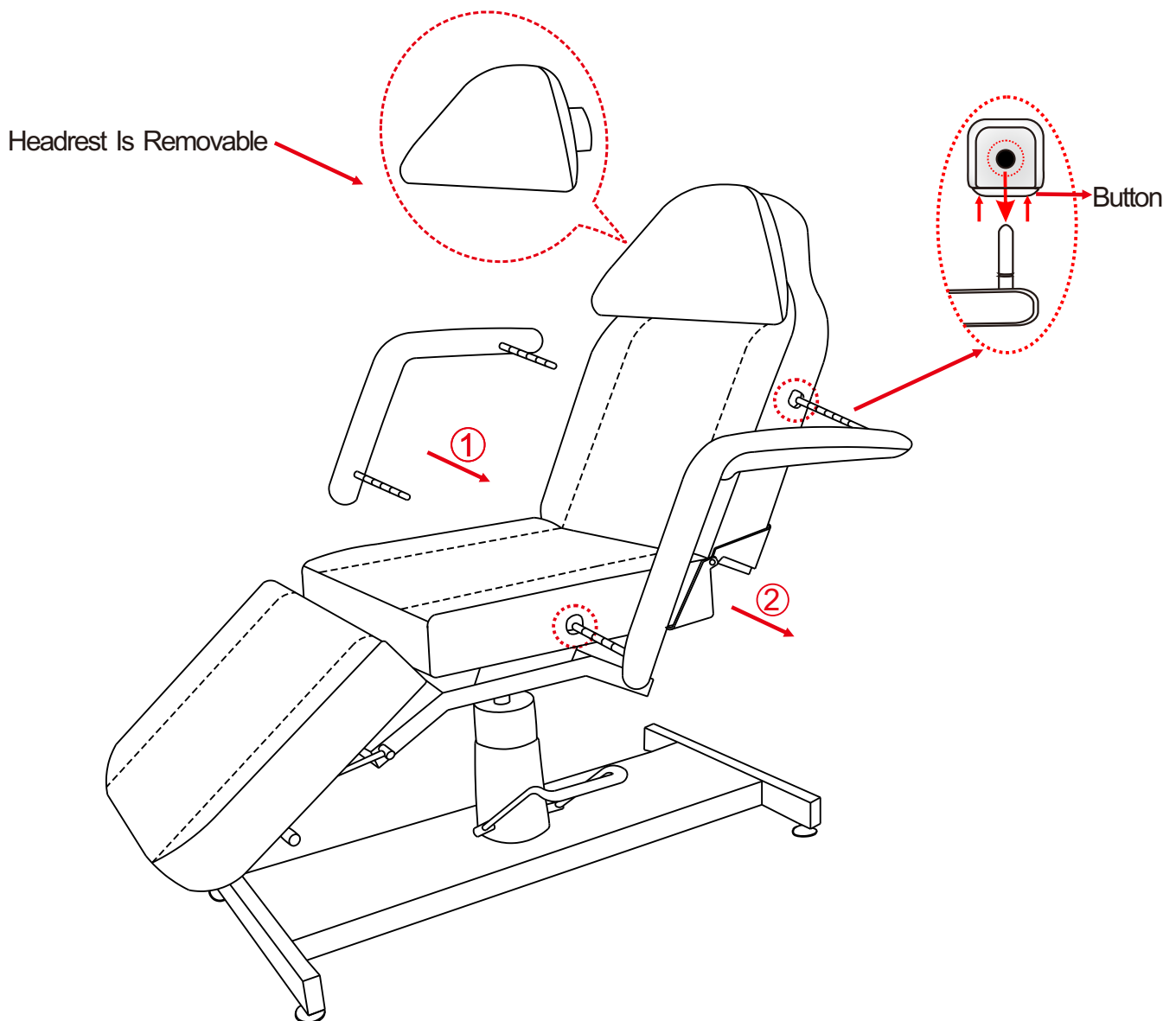


Step7. Attach Spring to Leg Back Adjustment Bar and Spring Hook Bracket.

Step8. Attach Spring to Seat Back Adjustment Bar and Spring Hook Bracket.



When a client is getting on the chair, ALWAYS have the chair locked and the bed set in a parallel position to the base as shown.



- ① Both metal poles on each armrest must be inserted simultaneously.
- ② When removing the armrest from the chair body, you must press the button located under the armrest holes before pulling the armrest out.

Warning: Do not try to rip plastic protector from furniture. This action may damage the product. Protective plastic needs to be carefully removed with scissors.

VINYL AFTERCARE



1. Use soft cleaning implements. Only clean your vinyl seats with soft sponges, dish cloths, and soft-bristled brushes. This will ensure your vinyl seats last for many years. Using steel wool, sharp cleaning tools, or similarly abrasive cleaning implements could cause your vinyl seating to tear.

2. Wash your vinyl with soapy water. Mix a small amount of mild dish soap with warm water until the mixture is sudsy. Dip a soft-bristled brush or soft cloth in the water. Scrub the vinyl seats until clean.

3. Do not use abrasive cleaning compounds. Undiluted bleach, for instance, is too caustic to use on vinyl. Over time, cleaning your vinyl seats with bleach will cause them to break down.^[6] Likewise, avoid cleaning compounds containing:^[7]

- concentrated detergents
- silicone oils
- waxes
- petroleum distillates
- dry cleaning fluids
- solvents
- acid-based cleaners