

Components Check List

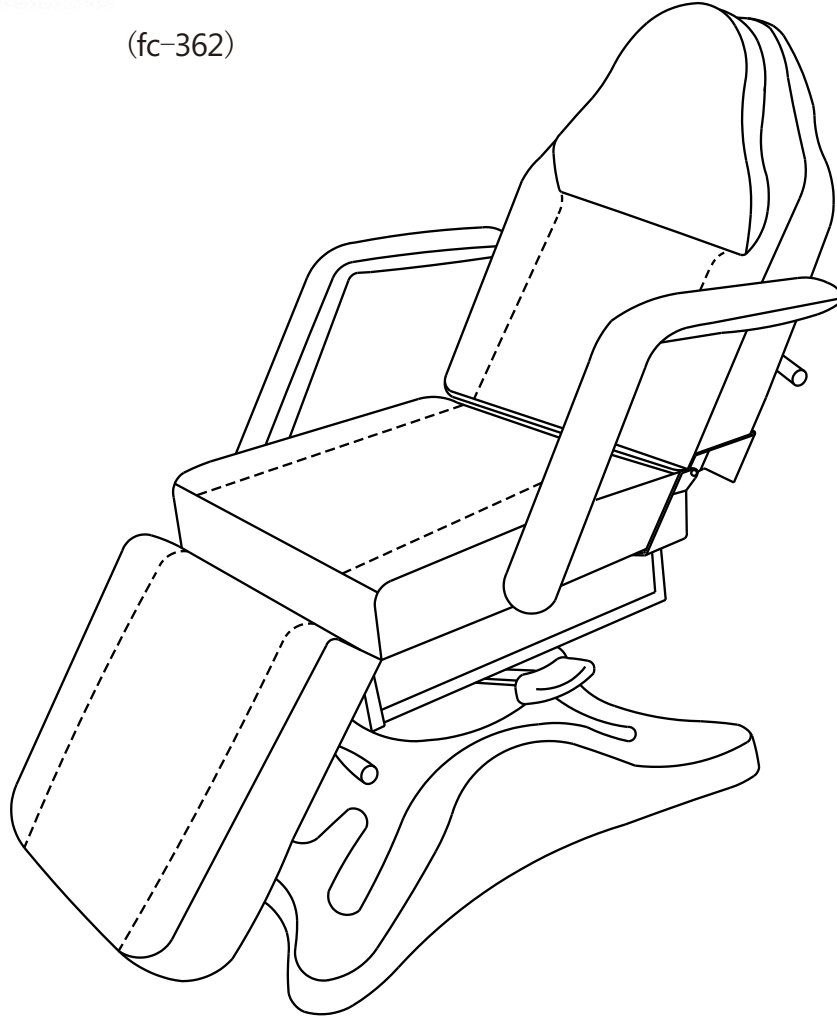
comfort

Soul

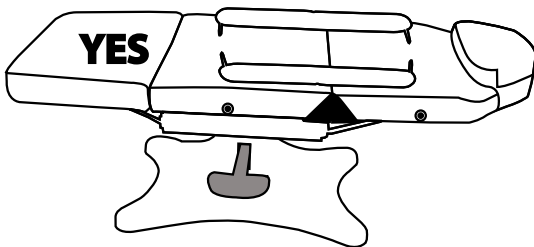


Hydraulic Pro

(fc-362)



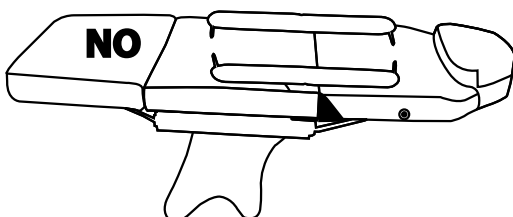
- CAUTION -



When a client is getting on the chair:

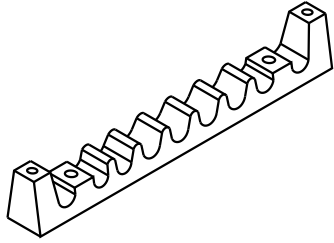
- **ALWAYS** have the chair locked

- AND -

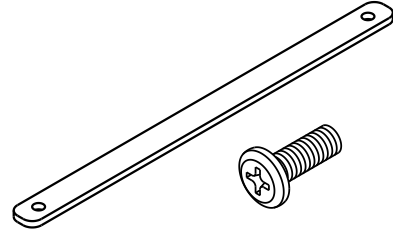


- **Make sure the bed set in a parallel position to the base as shown.**

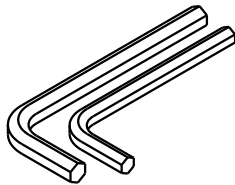
CONTENTS



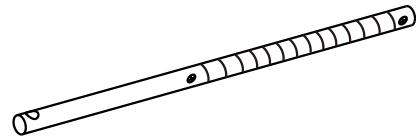
H(60004) Back Teeth 1 pcs



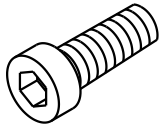
J(60019) Teeth Cover Bar 1 pcs
I(60020) Teeth Cover Bolts
M5x8 2 pcs



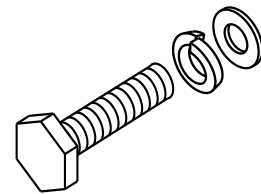
K1 (60005) M5 Allen Wrench 1 pcs
K2 (60006) M6 Allen Wrench 1 pcs



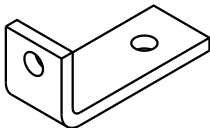
L(50222) Leg Bar 1 pcs



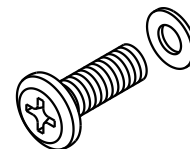
M(60007) Back Teeth Bolt
M8x30 2 pcs



N(60027) Bolt M10x25 1 pcs
Washer ϕ 10 1 pcs
Gasket ϕ 10 1 pcs

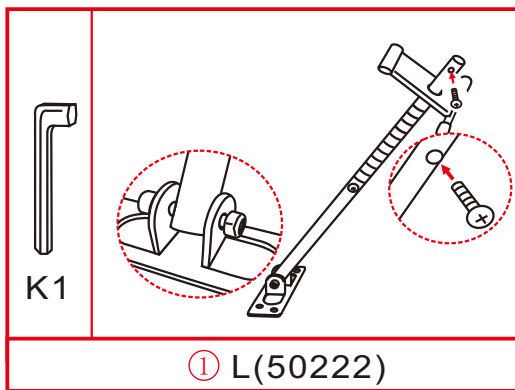
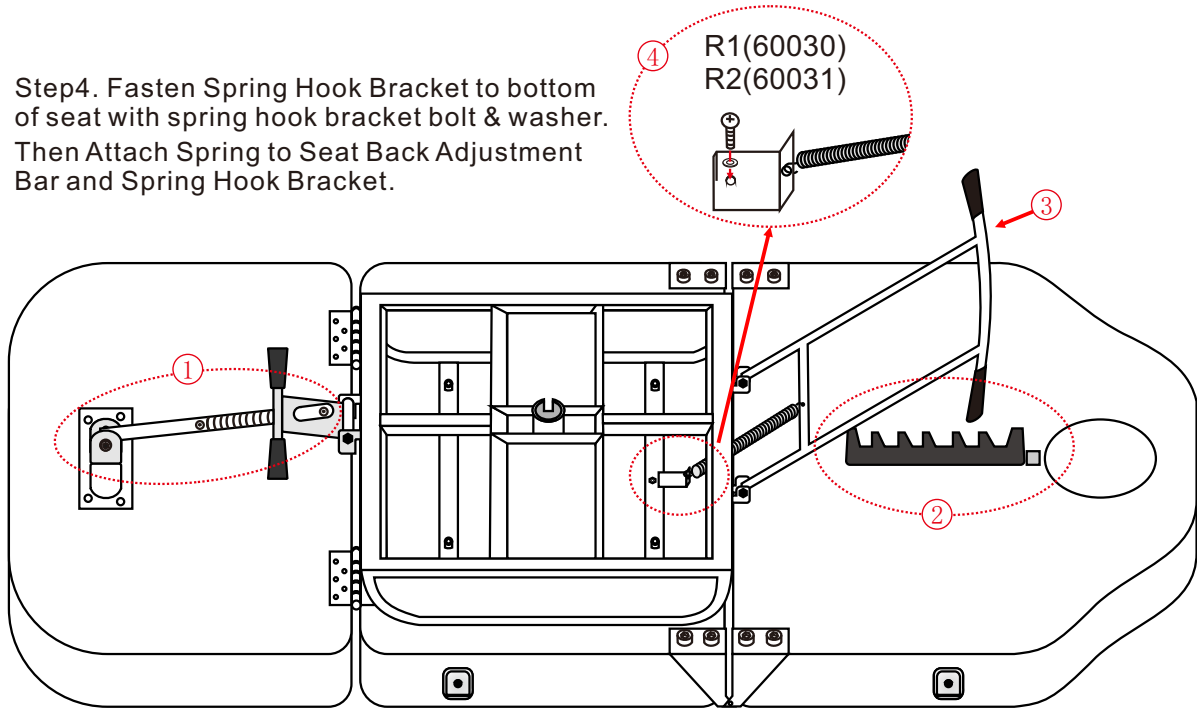


R1(60030) Spring Hook 1 pcs

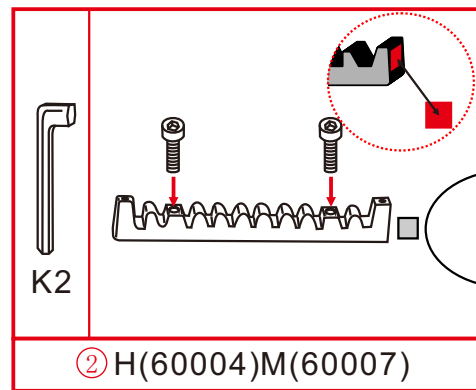


R2(60031) Hook Screw
M6x10 1 pcs
 ϕ 6 Washer 1 pcs

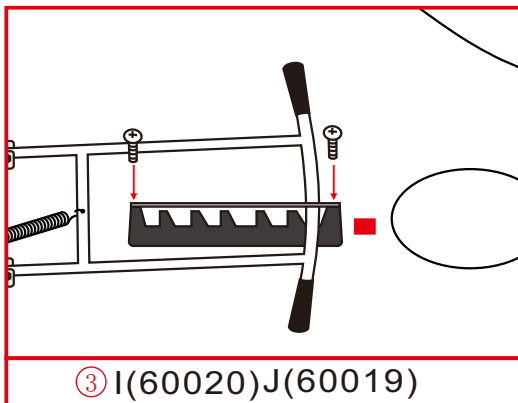
Step4. Fasten Spring Hook Bracket to bottom of seat with spring hook bracket bolt & washer. Then Attach Spring to Seat Back Adjustment Bar and Spring Hook Bracket.



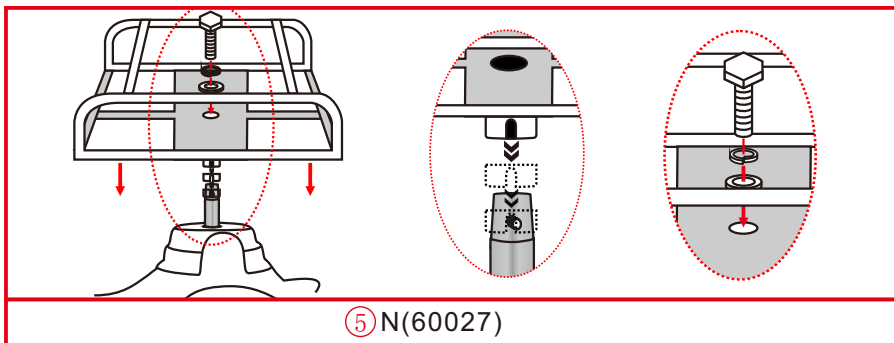
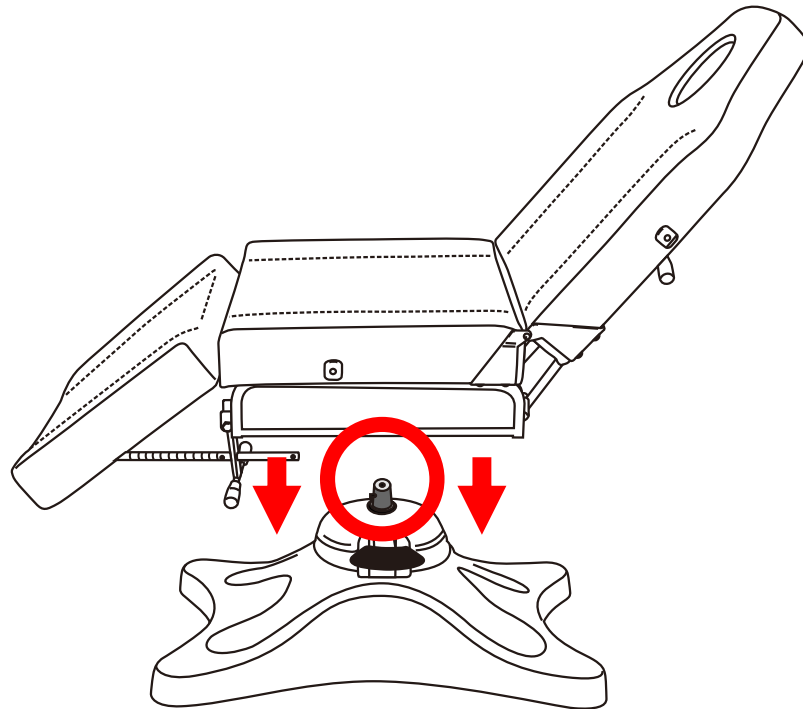
Step1. Insert Leg Rest Bar into handle of seat frame and fasten stopper bolt and washer.



Step2. Fasten Back Teeth to seat back with back teeth bolts.

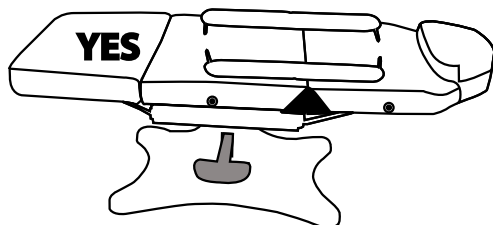


Step3. Insert Back Adjustment Bar into Back Teeth, then fasten back teeth crossbar over top with cross bar mounting screws.



Step5. Place Seat Frame Bracket on to lift piston, aligning seat frame notch with piston peg. Then Fasten Seat Frame Bracket to Lift Piston, using bolt with washer and gasket.

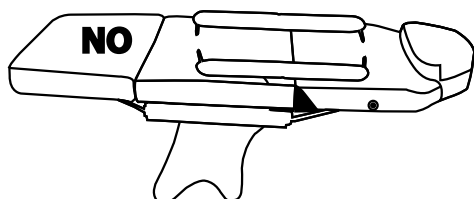
- CAUTION -



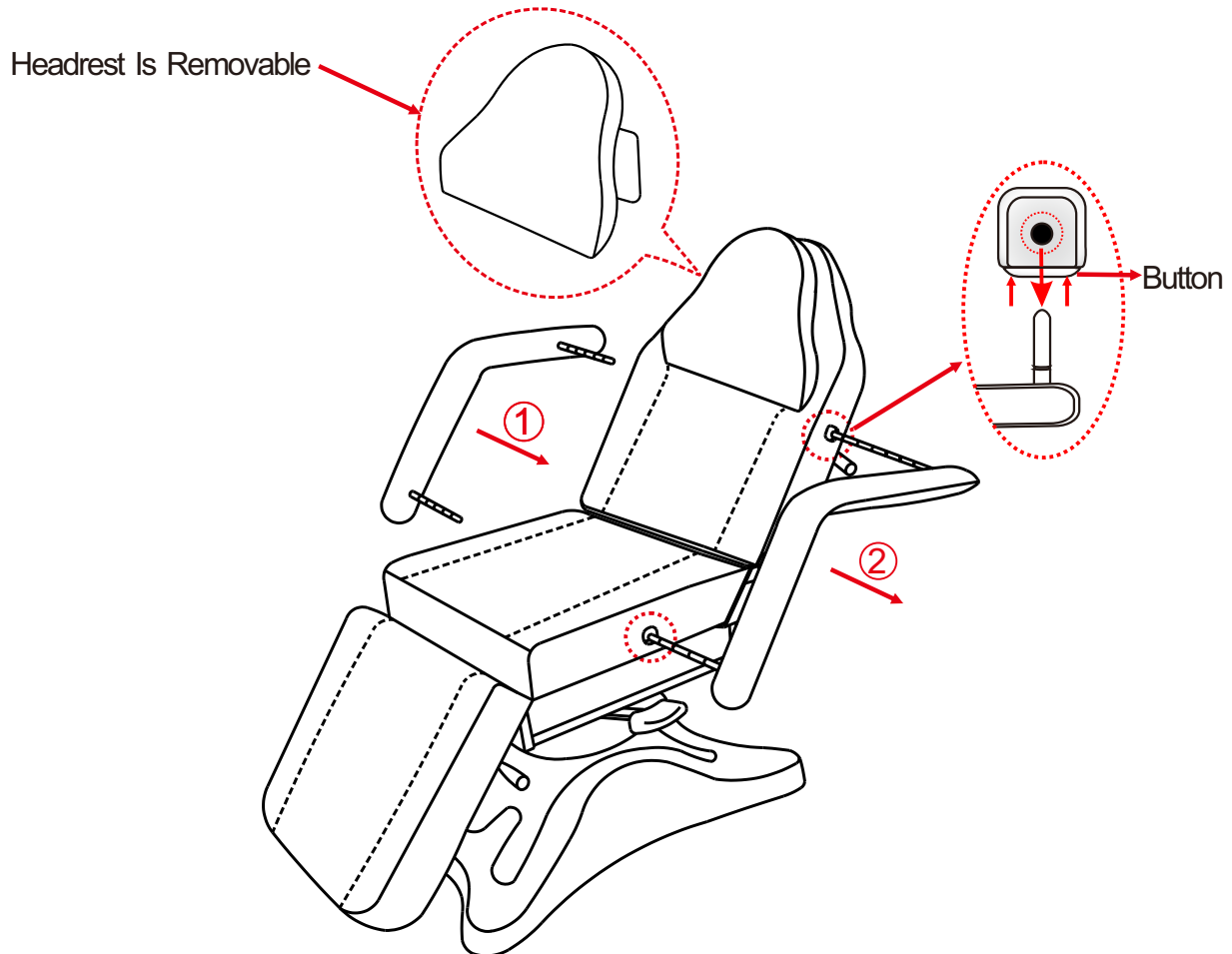
← **When a client is getting on the chair:**

- **ALWAYS** have the chair locked

- AND -



- **Make sure the bed set in a parallel position to the base as shown.**



- ① Both metal poles on each armrest must be inserted simultaneously.
- ② When removing the armrest from the chair body, you must press the button located under the armrest holes before pulling the armrest out.

Warning: Do not try to rip plastic protector from furniture. This action may damage the product. Protective plastic needs to be carefully removed with scissors.

VINYL AFTERCARE



1. Use soft cleaning implements. Only clean your vinyl seats with soft sponges, dish cloths, and soft-bristled brushes. This will ensure your vinyl seats last for many years. Using steel wool, sharp cleaning tools, or similarly abrasive cleaning implements could cause your vinyl seating to tear.

2. Wash your vinyl with soapy water. Mix a small amount of mild dish soap with warm water until the mixture is sudsy. Dip a soft-bristled brush or soft cloth in the water. Scrub the vinyl seats until clean.

3. Do not use abrasive cleaning compounds. Undiluted bleach, for instance, is too caustic to use on vinyl. Over time, cleaning your vinyl seats with bleach will cause them to break down.^[6] Likewise, avoid cleaning compounds containing:^[7]

- concentrated detergents
- silicone oils
- waxes
- petroleum distillates
- dry cleaning fluids
- solvents
- acid-based cleaners