

# Components Check List

**Comfort**  
*Soul*

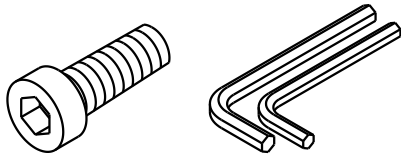


**Twin** *Pro*  
(fc-310)



# CONTENTS

**Comfort**  
*Soul*



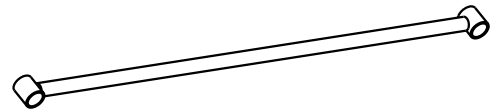
A Bolts M8x30 6 pcs  
G1 M5 Allen Wrench 1 pcs  
G2 M6 Allen Wrench 1 pcs



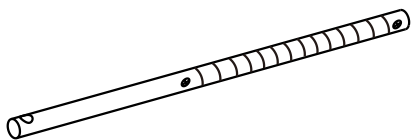
B Solid Washer  
 $\phi 8 \times 17 \times 1.5$  6 pcs



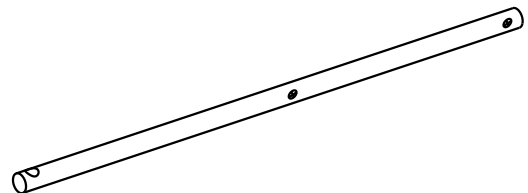
C Cushion Washer  $\phi 8$  6 pcs



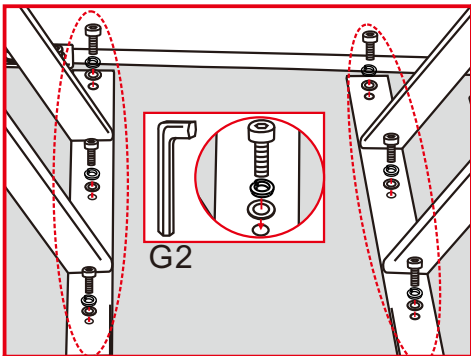
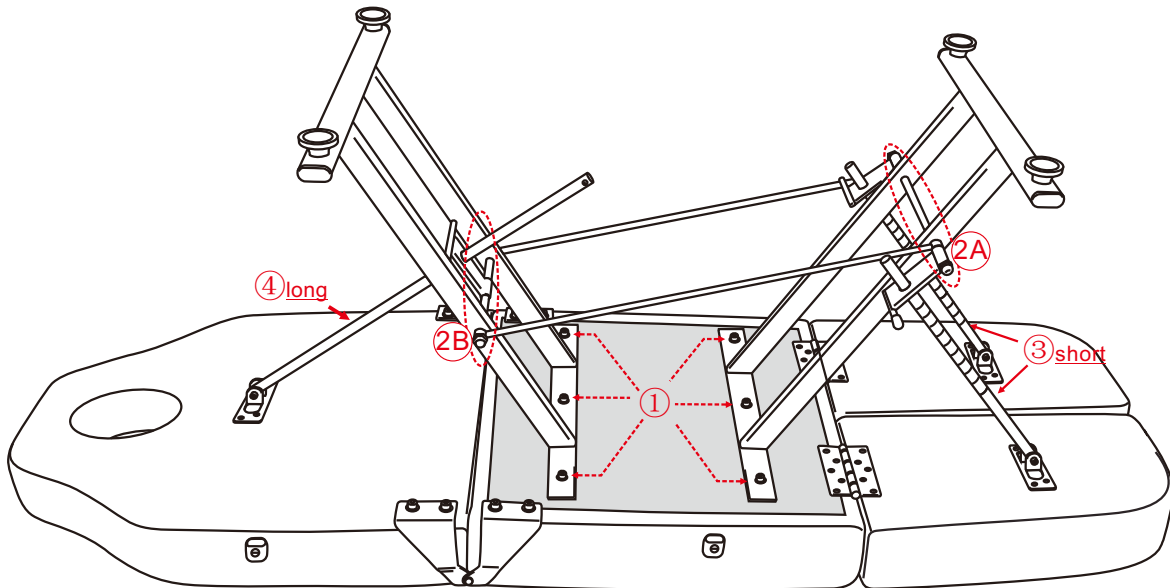
D Support Beams 2 pcs



E Leg Bars 2 pcs

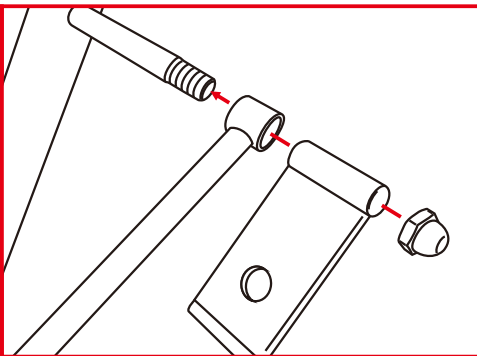


F Back Bar 1 pcs



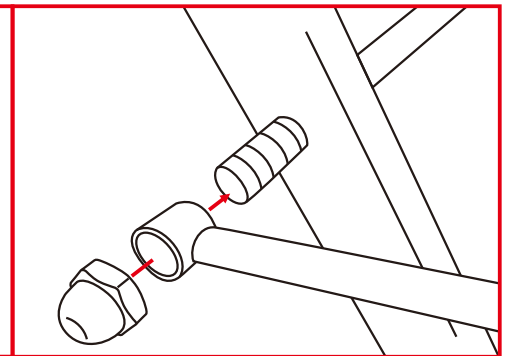
① ABC

Step 1. Fasten Seat Frame Bracket to bottom of seat with frame bolts & washers.



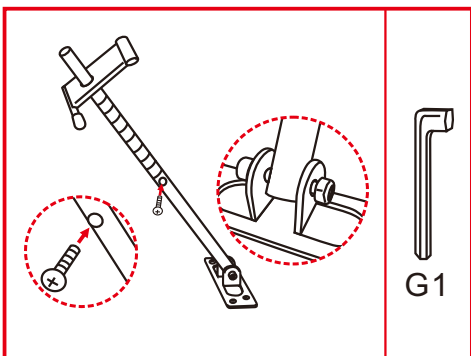
②A D

Step 2A. Attach one end of Support Bar (D) to leg crossbar. Attach handle bracket to leg crossbar and secure by tightening cap nut.



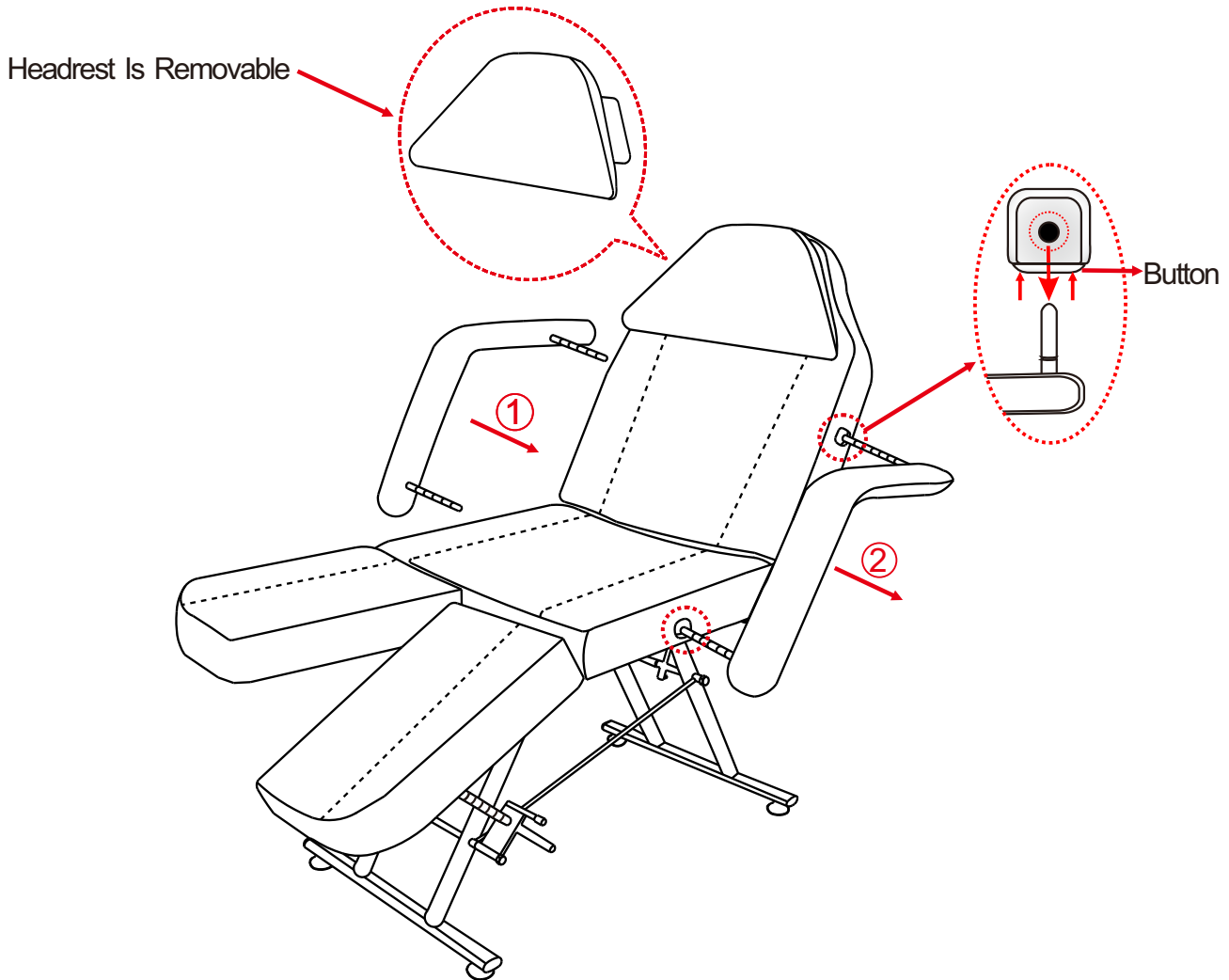
②B D

Step 2B. Attach other end of Support Bar (D) to opposing leg crossbar and secure by tightening cap nut.



③④ EF

Step 3 & 4. Insert Leg or Back Rest Bar into handle of seat frame and fasten stopper bolt and washer.



- ① Both metal poles on each armrest must be inserted simultaneously.
- ② When removing the armrest from the chair body, you must press the button located under the armrest holes before pulling the armrest out.

**Warning: Do not try to rip plastic protector from furniture. This action may damage the product. Protective plastic needs to be carefully removed with scissors.**

## VINYL AFTERCARE

**Comfort**  
Soul



**1. Use soft cleaning implements.** Only clean your vinyl seats with soft sponges, dish cloths, and soft-bristled brushes. This will ensure your vinyl seats last for many years. Using steel wool, sharp cleaning tools, or similarly abrasive cleaning implements could cause your vinyl seating to tear.

**2. Wash your vinyl with soapy water.** Mix a small amount of mild dish soap with warm water until the mixture is sudsy. Dip a soft-bristled brush or soft cloth in the water. Scrub the vinyl seats until clean.

**3. Do not use abrasive cleaning compounds.** Undiluted bleach, for instance, is too caustic to use on vinyl. Over time, cleaning your vinyl seats with bleach will cause them to break down.<sup>[6]</sup> Likewise, avoid cleaning compounds containing:<sup>[7]</sup>

- concentrated detergents
- silicone oils
- waxes
- petroleum distillates
- dry cleaning fluids
- solvents
- acid-based cleaners