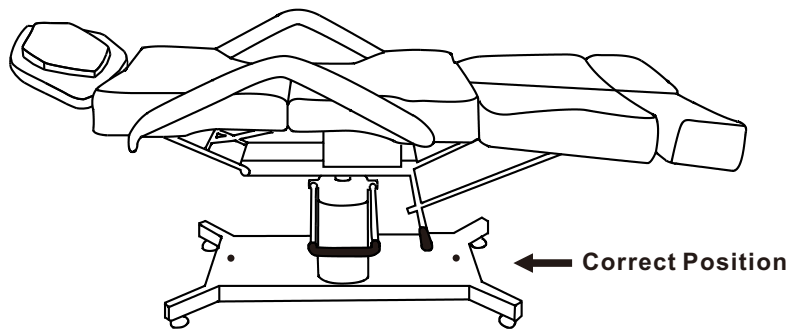
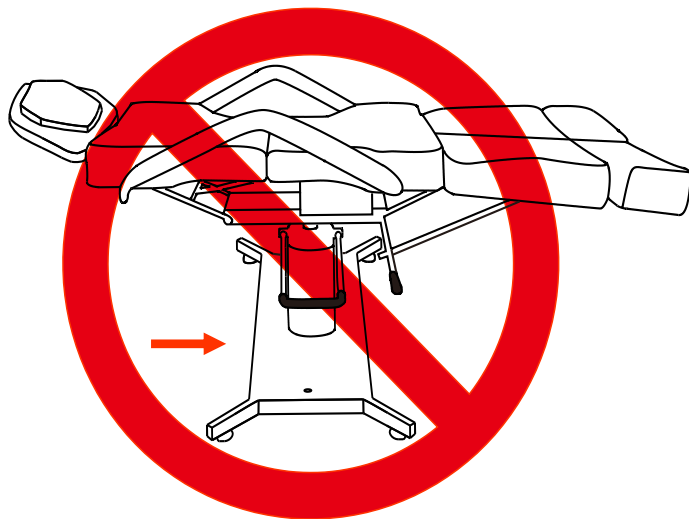


INSTRUCTION MANUAL

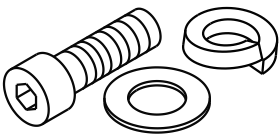
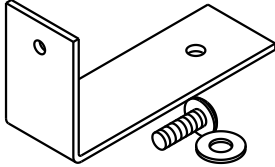
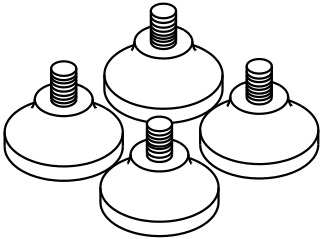
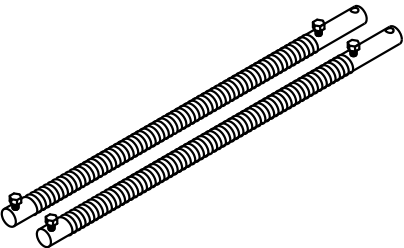
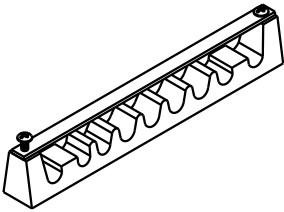
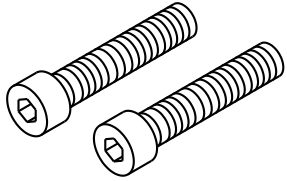
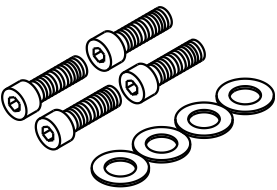
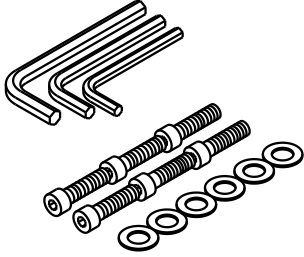
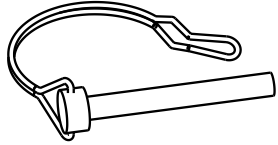
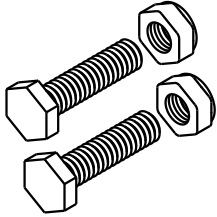
TATSOUL CC-570



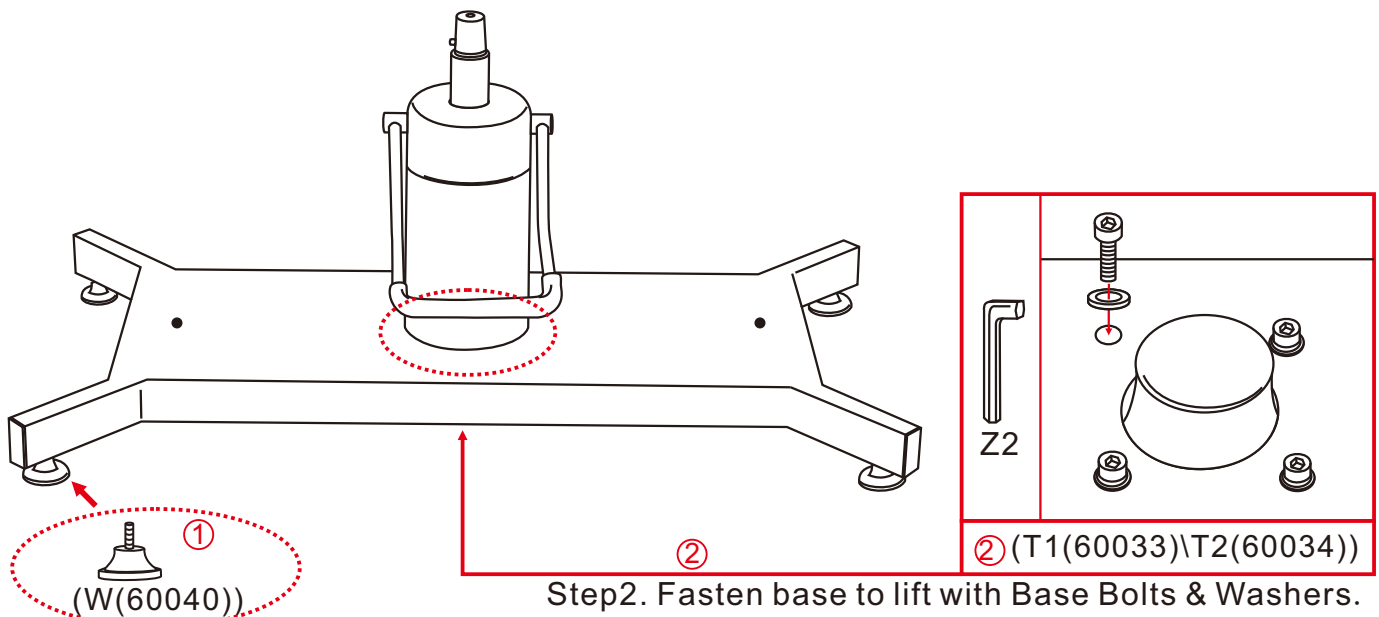
When a client is getting on the chair, **ALWAYS** have the chair locked and the bed set in a parallel position to the base as shown.



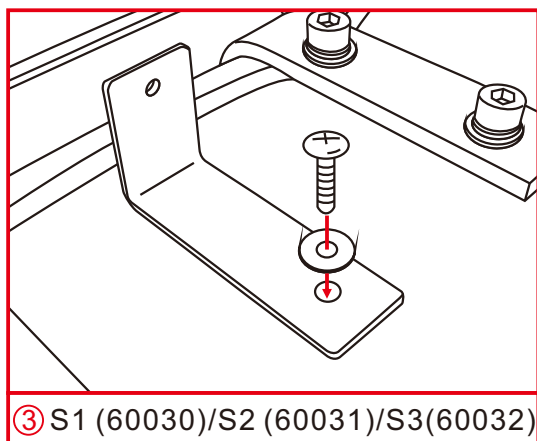
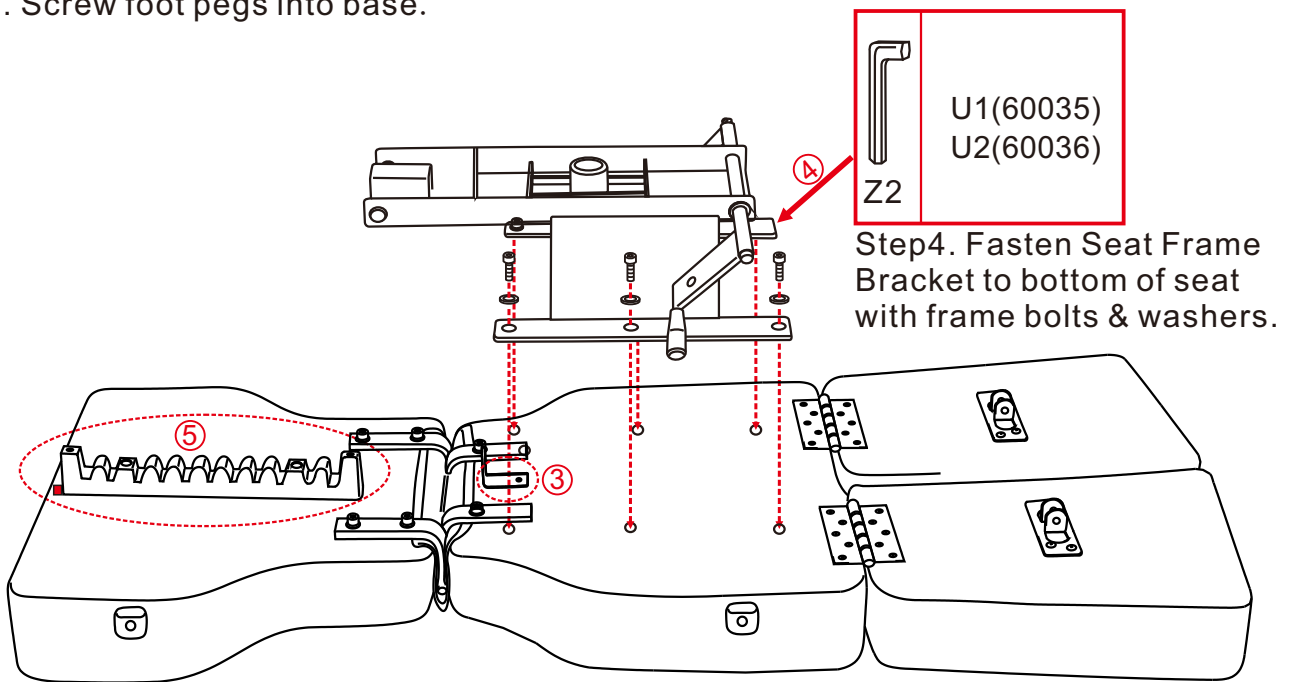
CONTENTS

 <p>P1(60027) Connector Bolt M10x25 1 pcs P2(60028) Connector Washer φ 10X20X1.5 1 pcs P3(60029) Split Lock Elastic Gasket φ 10 1 pcs</p>	 <p>S1 (60030) Spring Hook 1 pcs S2 (60031) Connector Washer φ 6x13x1 1 pcs S3 (60032) Hook Screw M6x16 1 pcs</p>	 <p>W (60040) Adjustable Foot Pegs φ 48x10x30 4 pcs</p>
 <p>Y (60042) Leg Bars 2 pcs</p>	 <p>X2 (60037) Back Teeth 1 pcs</p>	 <p>X1(60041) Back Teeth Bolts M8x45 2 pcs</p>
 <p>T1 (60033) Base Bolt M8x20 4 pcs T2 (60034) Base Washer φ 8X17X1.5 4 pcs</p>	 <p>U1 (60035) Top Frame Bolt M8x30 6 pcs U2 (60036) Top Frame Washer φ 8X17X1.5 6 pcs Z1 (60043) M5 Allen Wrench 1 pcs Z2 (60044) M6 Allen Wrench 1 pcs Z3 (60045) M8 Allen Wrench 1 pcs</p>	 <p>Z4 (60046) Lock Pin 1 pcs</p>
		 <p>O1 (60047) Connector Bolts M10x40 2 pcs O2 (60048) Since The Lock Nuts M10 2 pcs</p>

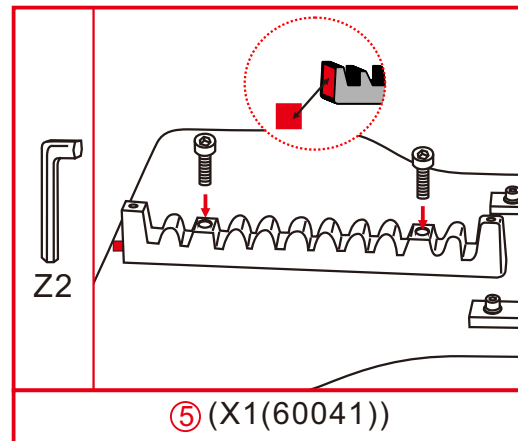
ASSEMBLY INSTRUCTIONS



Step1. Screw foot pegs into base.

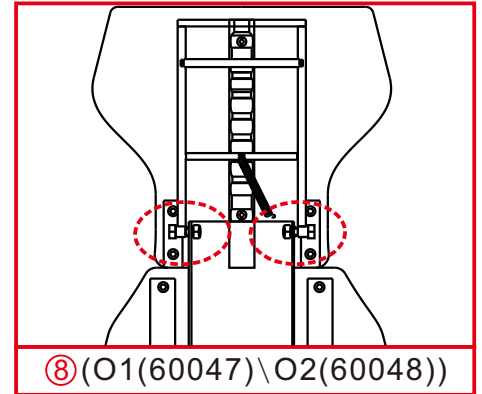
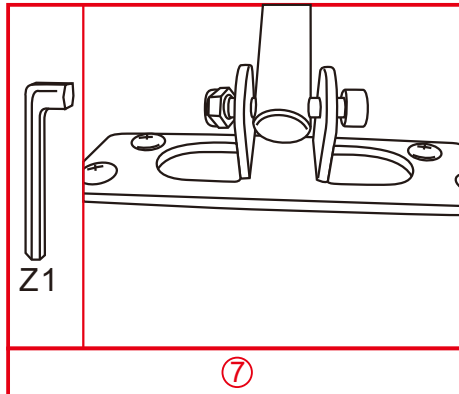
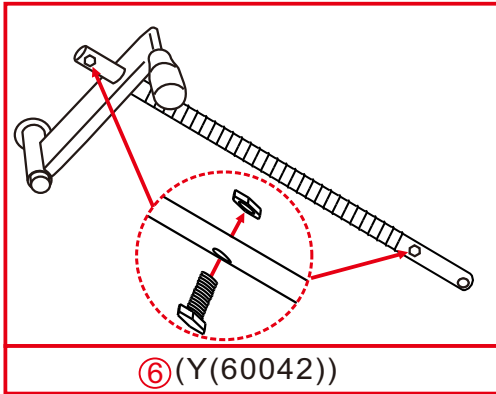
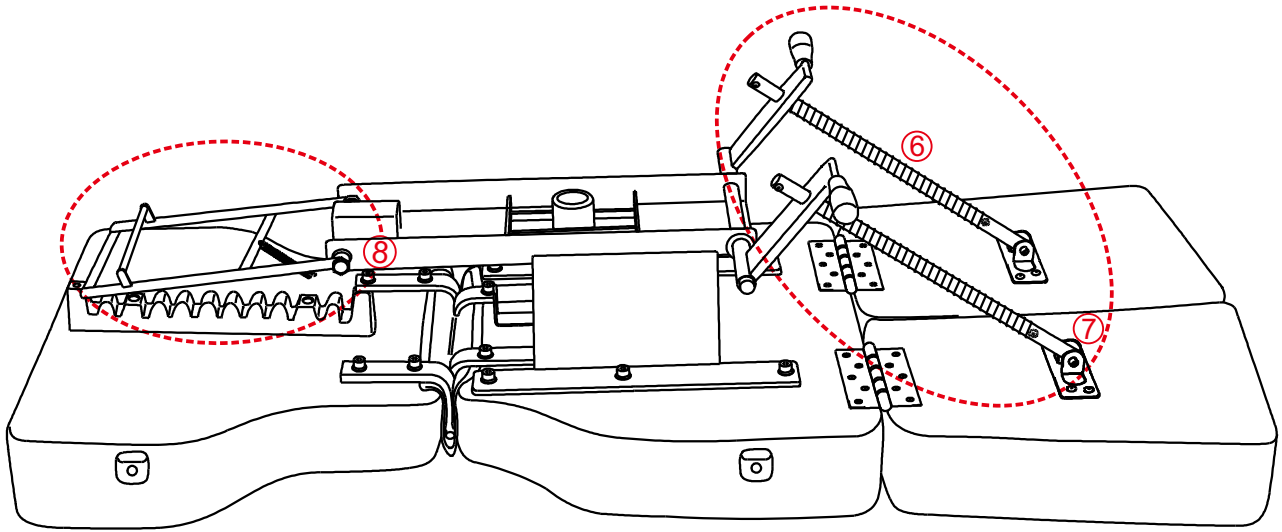


Step3. Fasten Spring Hook Bracket to bottom of seat with spring hook bracket bolt & washer.



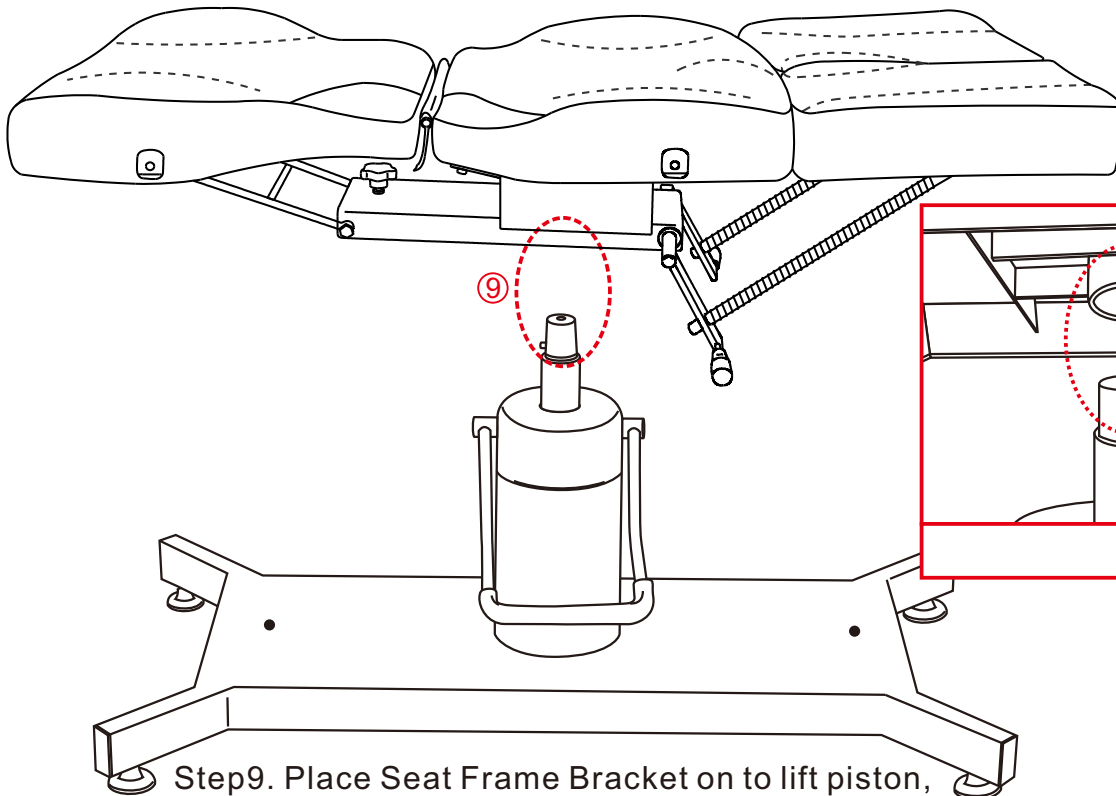
Step5. Fasten Back Teeth to seat back with back teeth bolts.

ASSEMBLY INSTRUCTIONS



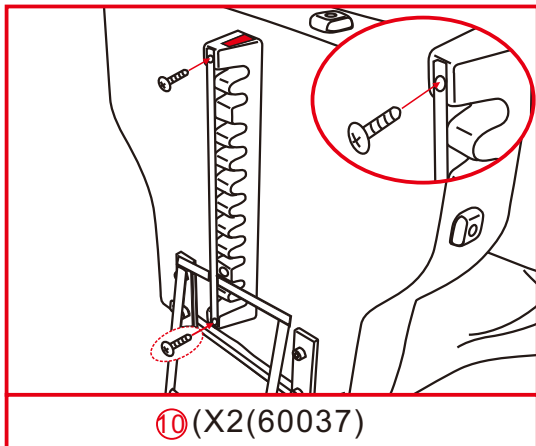
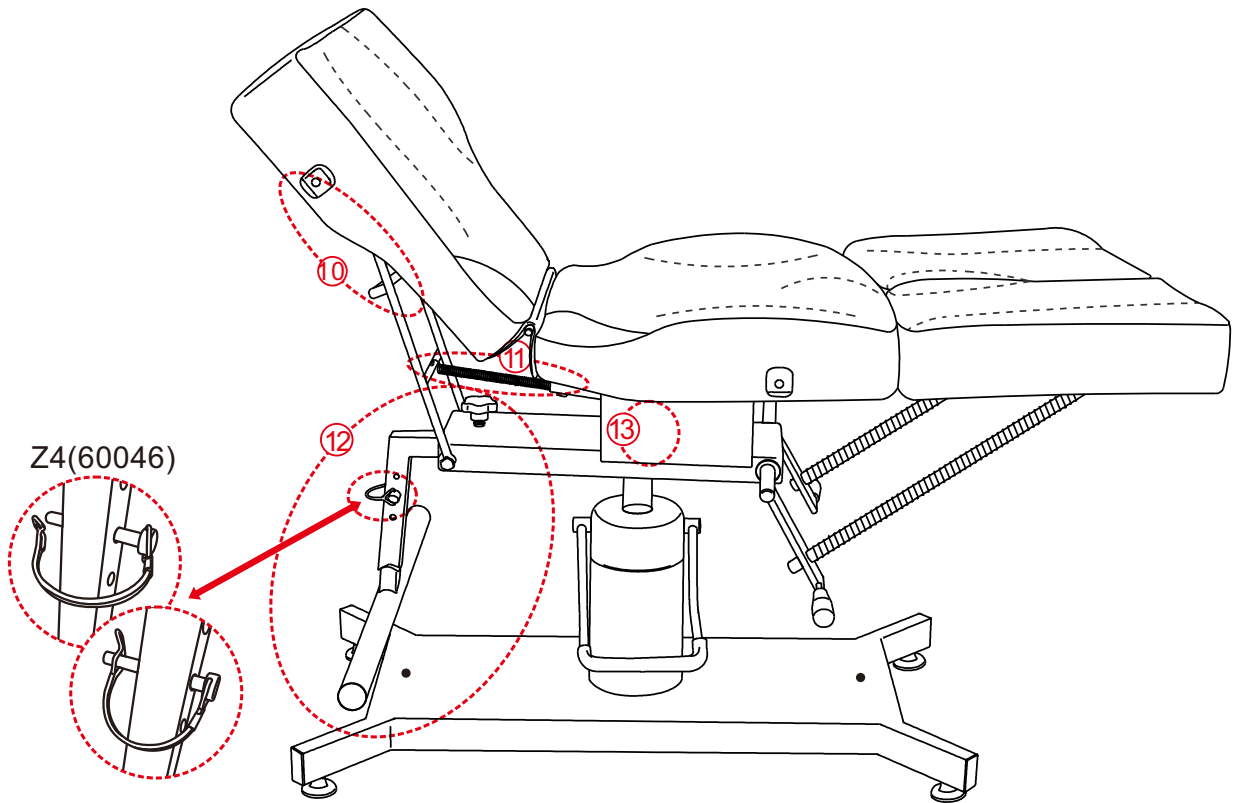
Step6. Insert Leg Rest Bars into handle of seat frame and fasten stopper bolt and washer.

Step7&8. Tighten Hinge Bolt on leg rest bars.



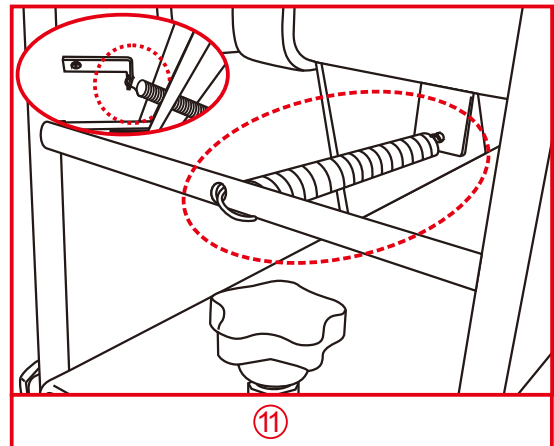
Step9. Place Seat Frame Bracket on to lift piston, aligning seat frame notch with piston peg.

ASSEMBLY INSTRUCTIONS



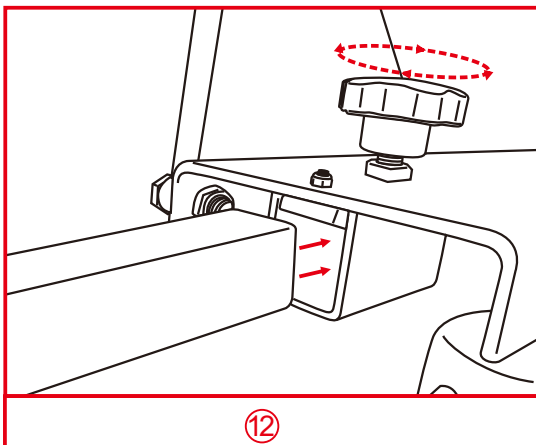
⑩ (X2(60037))

Step 10. Insert Back Adjustment Bar into Back Teeth, then fasten back teeth crossbar over top with cross bar mounting screws.



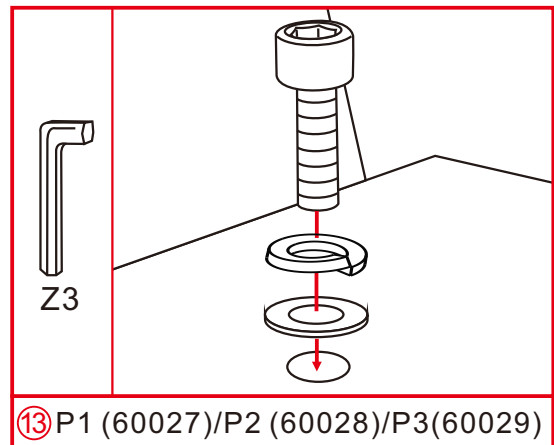
⑪

Step 11. Attach Spring to Seat Back Adjustment Bar and Spring Hook Bracket.



⑫

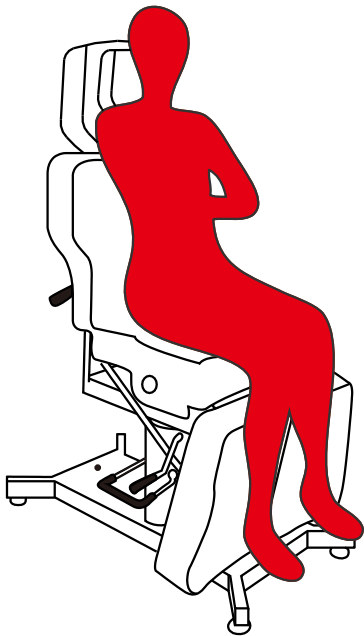
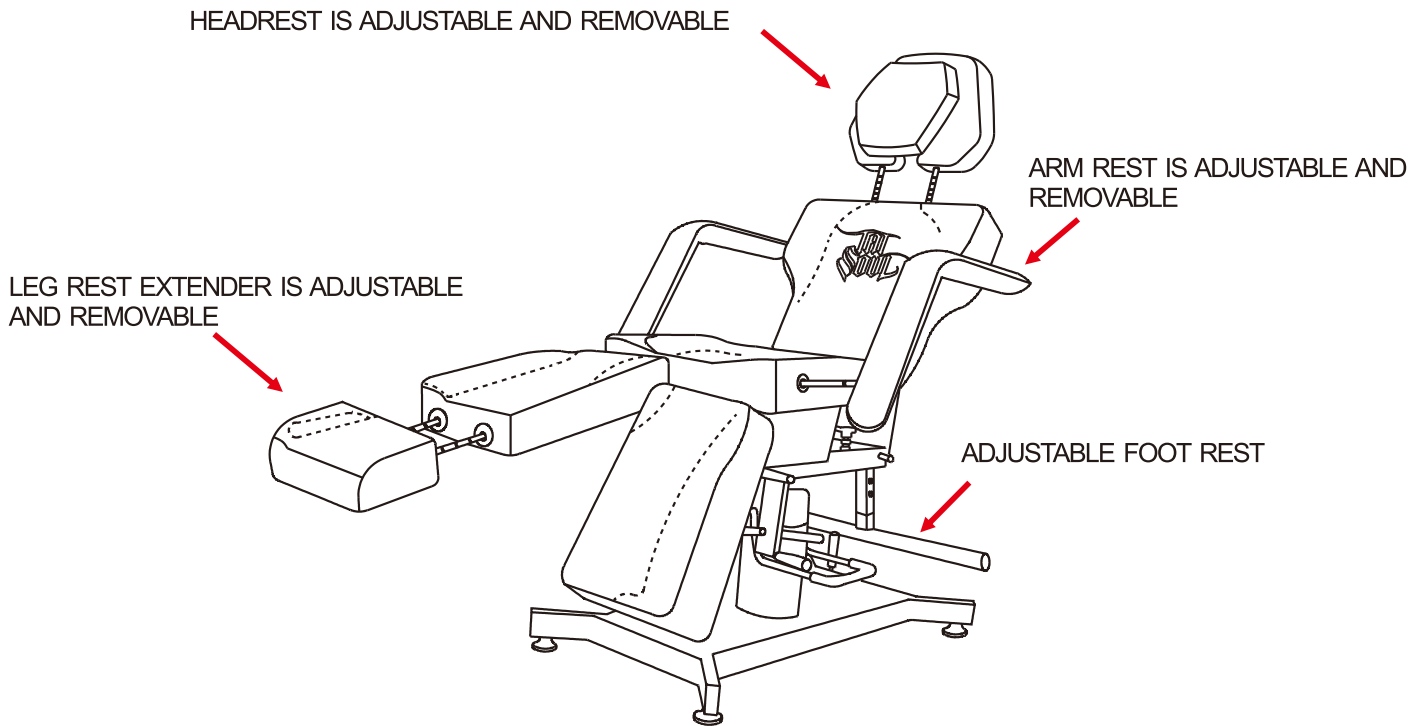
Step 12. Insert Adjustable Foot Rest into seat frame bracket and tighten lock knob. Insert locking pin into foot rest height adjustment holes.



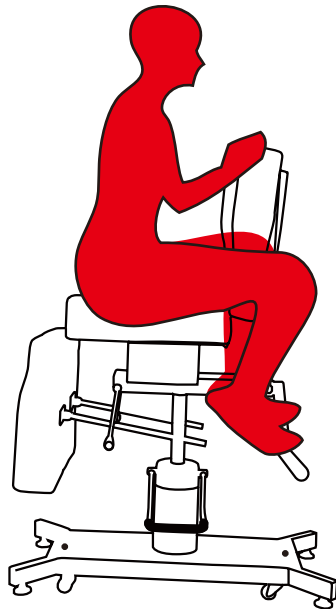
⑬ P1 (60027)/P2 (60028)/P3(60029)

Step 13. Fasten Seat Frame Bracket to Lift Piston, using connector bolt with washer and gasket.

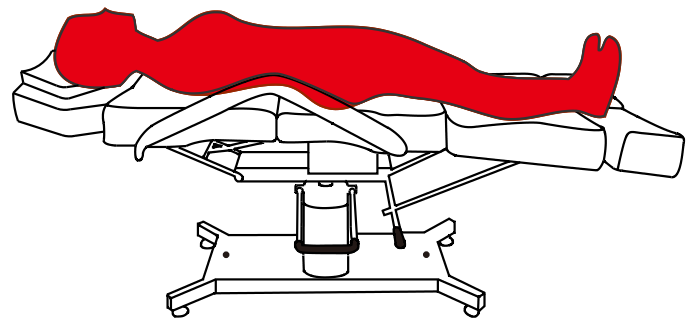
OPERATING INSTRUCTIONS



CHAIR
POSITION



STRADDLE
POSITION

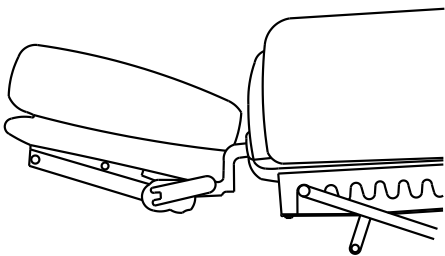


BED POSITION

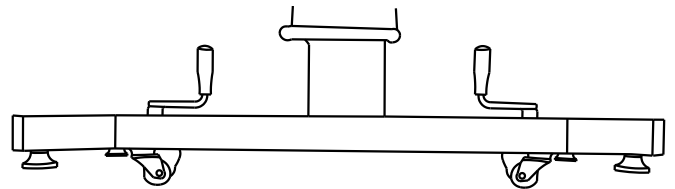
WARNING:
DO NOT POSITION CHAIR IN BED FORMAT PERPENDICULAR TO LONG PORTION OF BASE!

OPTIONAL ACCESSORIES

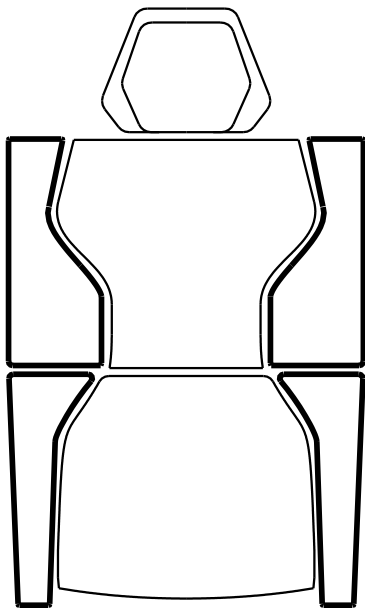
Face Cradle



TAT Soul Landing Gear Retractable Wheels



570 Wing Extensions



570 Protective Covers



VINYL AFTERCARE

1. Cleaning Instructions. To ensure the safety and life of your vinyl seats, please use only specified cleaners and cleaning materials listed below.

2. Accepted Cleaners. Mix a small amount of mild dish soap with warm(not hot) water . Dip a very soft-bristled brush or soft cloth into the soapy water and gently scrub with seats in a circular motion. Wipe the water off with another soft, dry cloth.

3. Unacceptable Cleaners. Do not use abrasive cleaning compounds such as bleach or ammonia. They will harm the vinyl and, over time, cause the material to fade or tear. Also, do not use:

Concentrated detergents

Silicone oils

Waxes

Petroleum distillates

Dry cleaning fluids

Solvents

Steel wool

Sharp cleaning tools

Abrasive cleaning materials or impements

Acid-based cleaners

CONTACT INFORMATION:

If you have any questions about our products, feel free to contact us via email or by phone. We are available via telephone during PST business hours. We try to respond to emails within a few hours of their receipt, even during evenings and weekends.

General Information:

Email: sales@tatsoul.com

Fax: 1-800-768-5643

Sales:

Email: sales@tatsoul.com

Telephone: 1-888-TAT-SOUL
(1-888-828-7685) Option 1

Technical Support:

Email: support@tatsoul.com

Telephone: 1-888-TAT-SOUL
(1-888-828-7685) Option 2