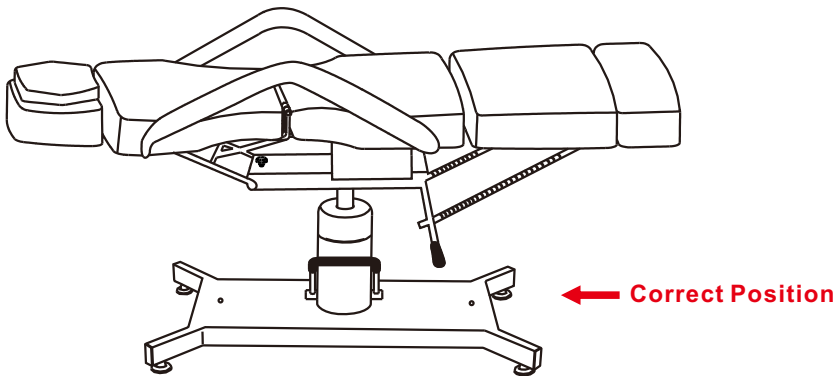
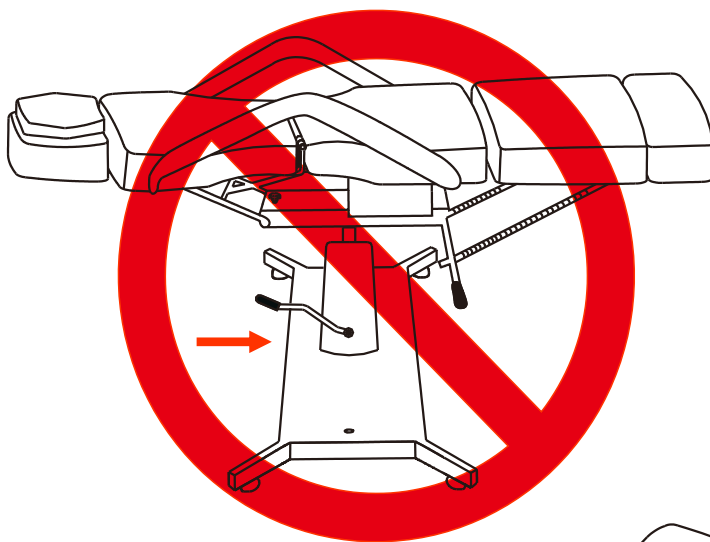


# INSTRUCTION MANUAL

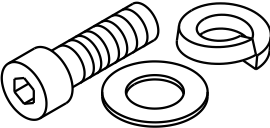
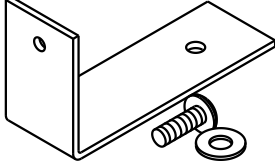
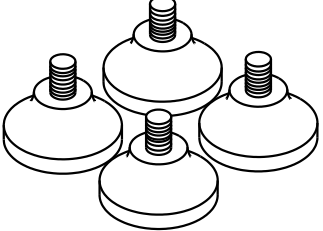
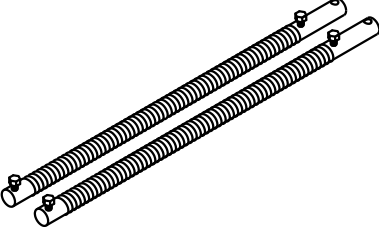
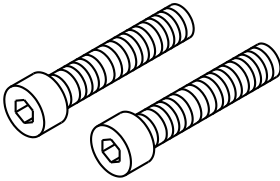
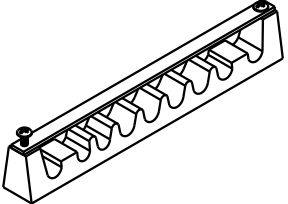



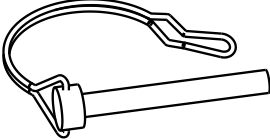
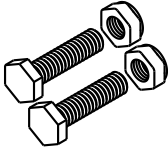
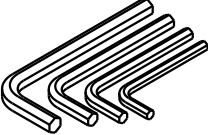
TATSOUL CC-300



When a client is getting on the chair,  
**ALWAYS** have the chair locked and the bed  
set in a parallel position to the base as shown.

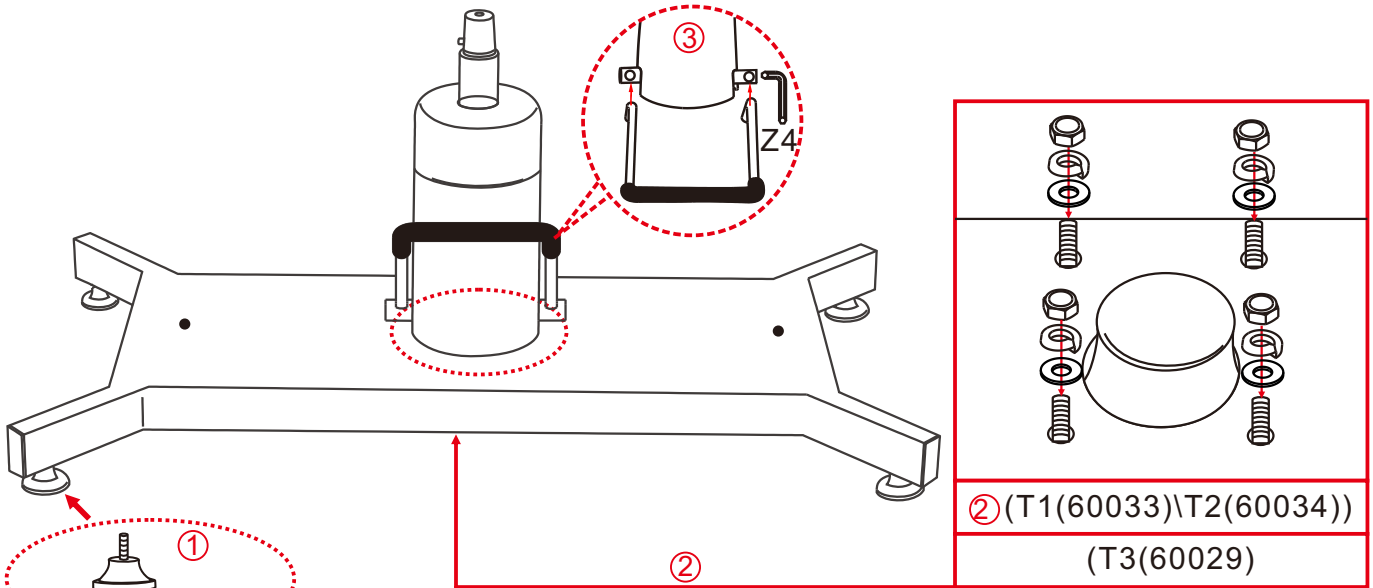


# CONTENTS

 <p>P1(60027) Connector Bolt M10x25 1 pcs P2(60028) Connector Washer φ10X20X1.5 1 pcs P3(60026) Split Lock Elastic Gasket φ10 1 pcs</p>	 <p>S1 (60030) Spring Hook 1 pcs S2 (60031) Connector Washer φ6x13x1 1 pcs S3 (60032) Hook Screw M6x16 1 pcs</p>	 <p>W (60040) Adjustable Foot Pegs φ48x10x30 4 pcs</p>
 <p>Y (60042) Leg Bars 2 pcs</p>	 <p>X1(60041) Back Teeth Bolts M8x45 2 pcs</p>	 <p>X2 (60037) Back Teeth 1 pcs</p>
 <p>T1 (60033) Since The Lock Nuts M6 4 pcs T2 (60034) Base Washer φ6x16x1.2 4 pcs T3 (60029) Split Lock Elastic Gasket φ6 4 pcs</p>	 <p>U1 (60035) Top Frame Bolt M8x30 4 pcs U2 (60036) Top Frame Washer φ8X17X1.5 4 pcs</p>	 <p>Q1 (60038) Top Frame Bolt M8x25 2 pcs Q2 (60039) Top Frame Washer φ8X17X1.5 2 pcs</p>
 <p>Z5 (60049) Lock Pin 1 pcs</p>	 <p>O1 (60047) Connector Bolts M10x40 2 pcs O2 (60048) Since The Lock Nuts M10 2 pcs</p>	 <p>Z1 (60043) M8 Allen Wrench 1 pcs Z2 (60044) M6 Allen Wrench 1 pcs Z3 (60045) M5 Allen Wrench 1 pcs Z4 (60046) M4 Allen Wrench 1 pcs</p>

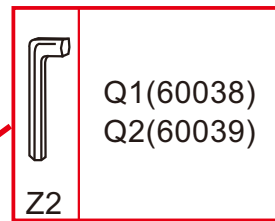
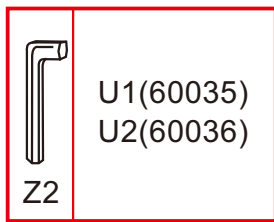
# ASSEMBLY INSTRUCTIONS

Step3. Using Allen Key Z4, attach lift lever to piston housing.

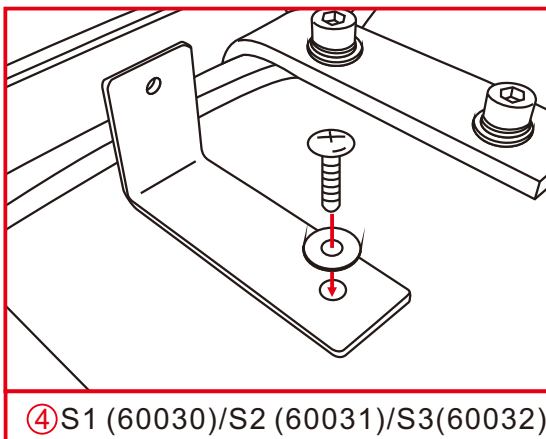
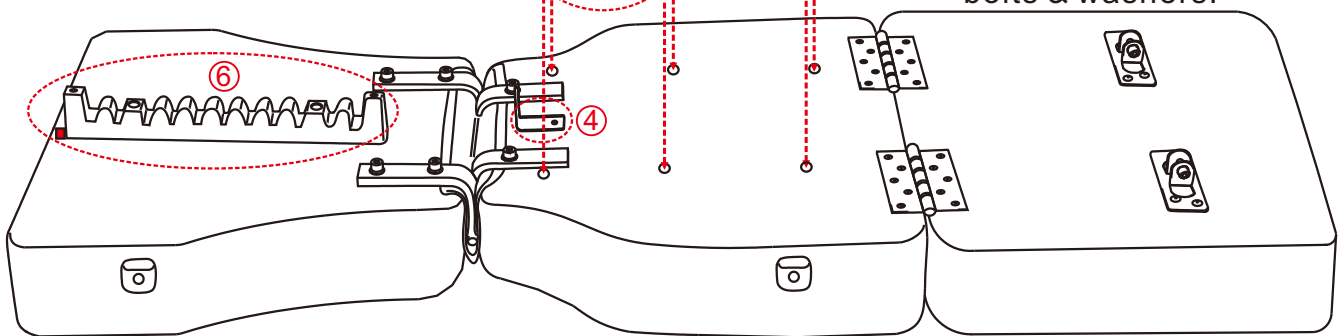


Step1. Screw foot pegs (W(60040)) into base.

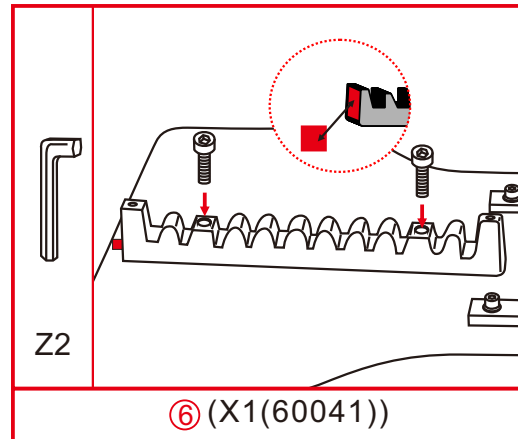
Step2. Fasten base to lift with base washers & gaskets & since the lock nuts.



Step5. Fasten Seat Frame Bracket to bottom of seat with frame bolts & washers.

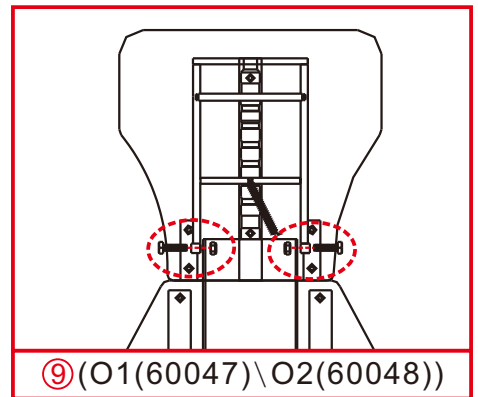
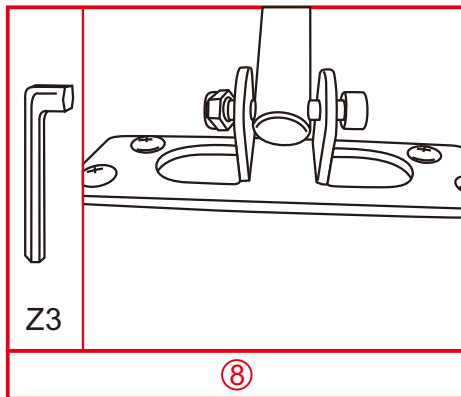
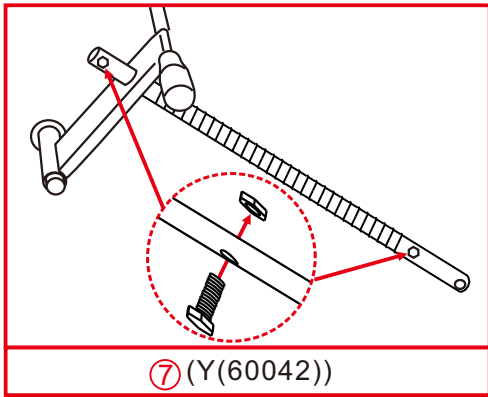
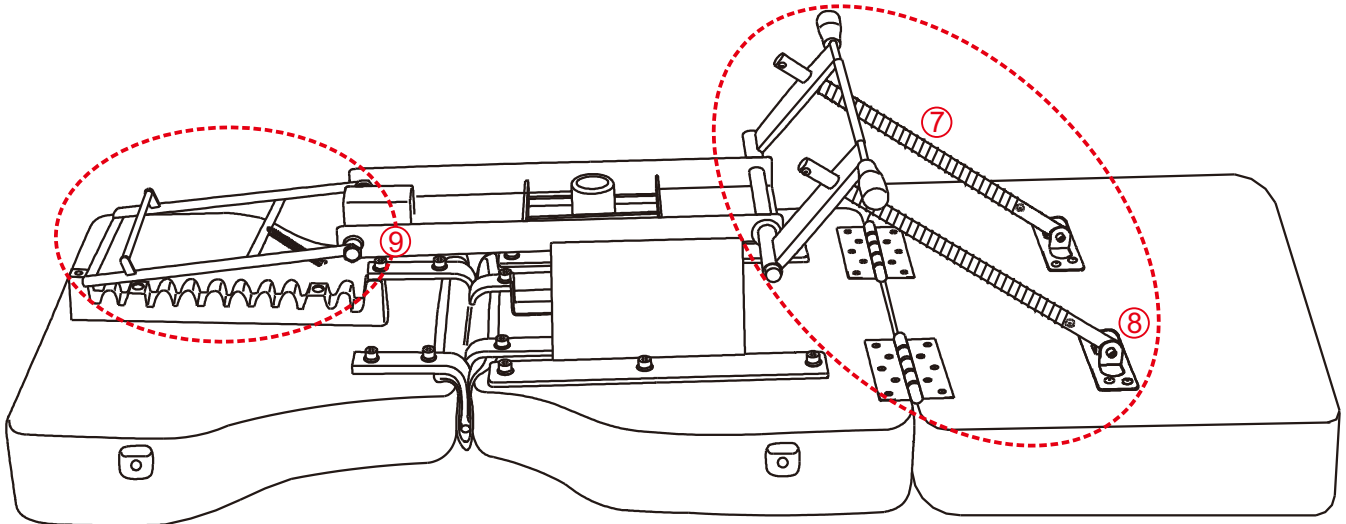


Step4. Fasten Spring Hook Bracket to bottom of seat with spring hook bracket bolt & washer.



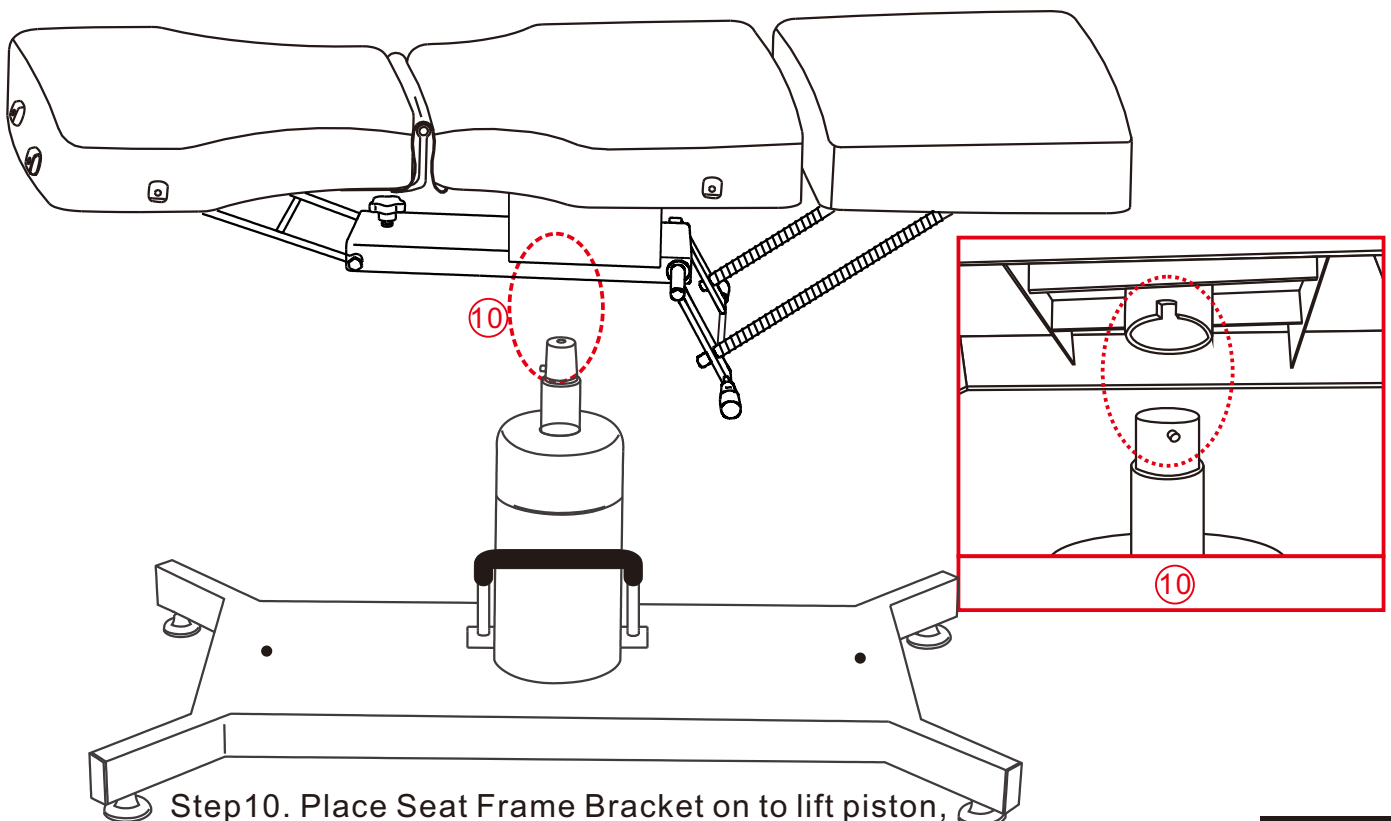
Step6. Fasten Back Teeth to seat back with back teeth bolts.

# ASSEMBLY INSTRUCTIONS



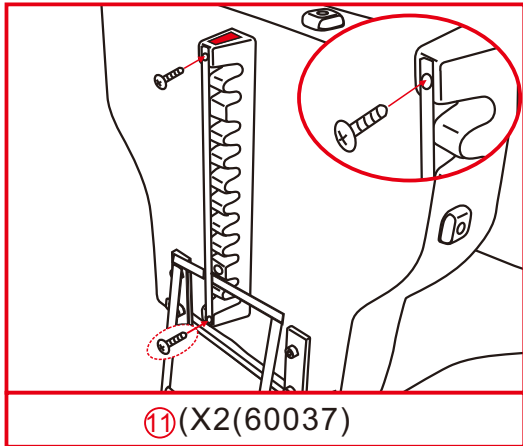
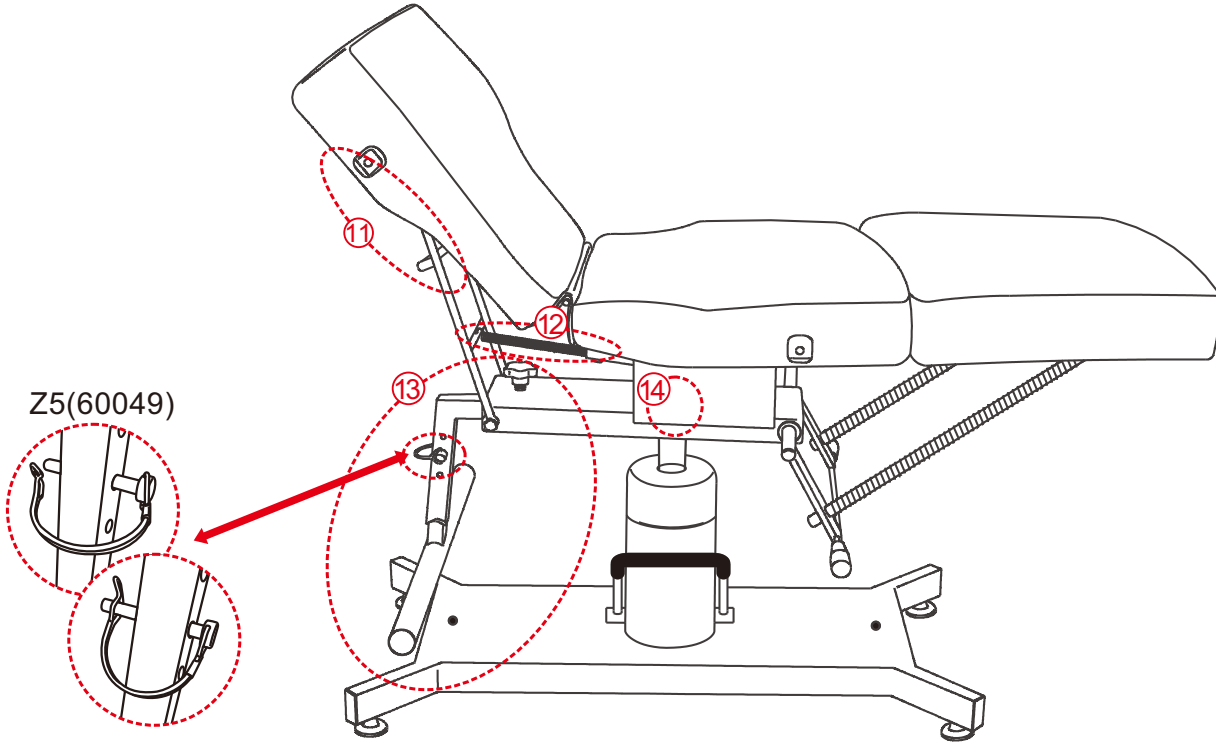
Step7. Insert Leg Rest Bars into handle of seat frame and fasten stopper bolt and washer.

Step8&9. Tighten Hinge Bolt on leg rest bars.



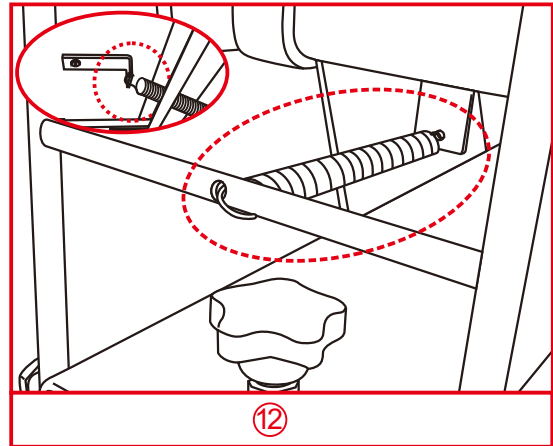
Step10. Place Seat Frame Bracket on to lift piston, aligning seat frame notch with piston peg.

# ASSEMBLY INSTRUCTIONS



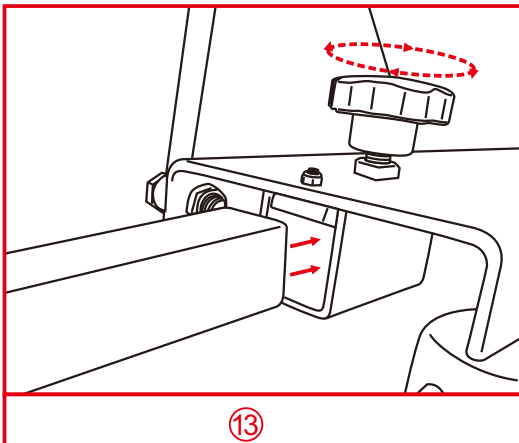
①① (X2(60037))

Step 11. Insert Back Adjustment Bar into Back Teeth, then fasten back teeth crossbar over top with cross bar mounting screws.



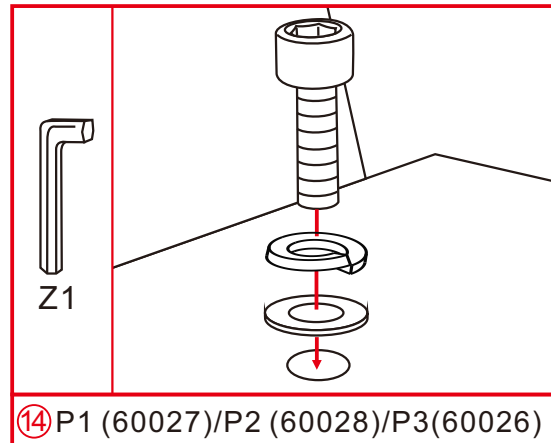
①②

Step 12. Attach Spring to Seat Back Adjustment Bar and Spring Hook Bracket.



①③

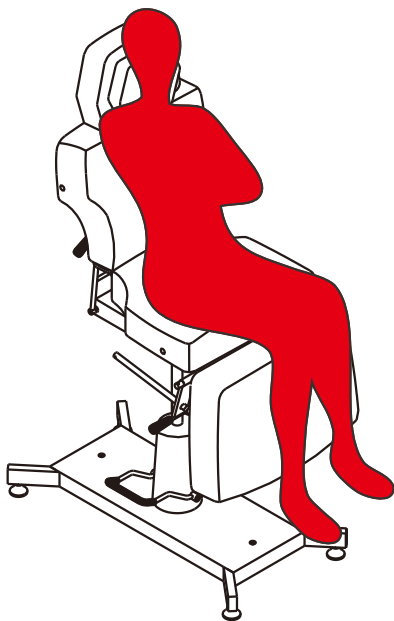
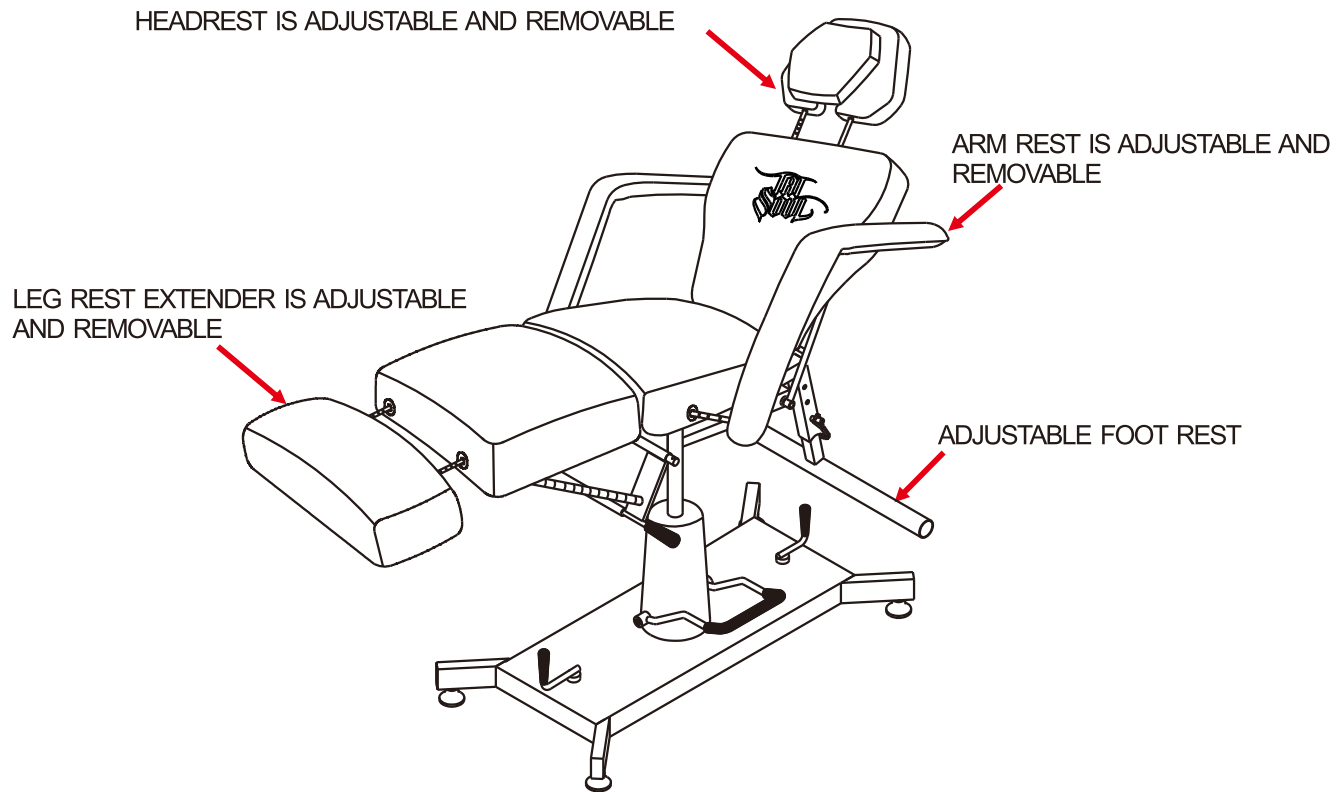
Step 13. Insert Adjustable Foot Rest into seat frame bracket and tighten lock knob. Insert locking pin into foot rest height adjustment holes.



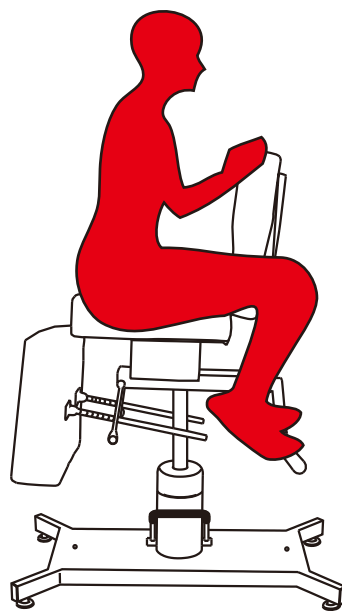
①④ P1 (60027)/P2 (60028)/P3(60026)

Step 14. Fasten Seat Frame Bracket to Lift Piston, using connector bolt with washer and gasket.

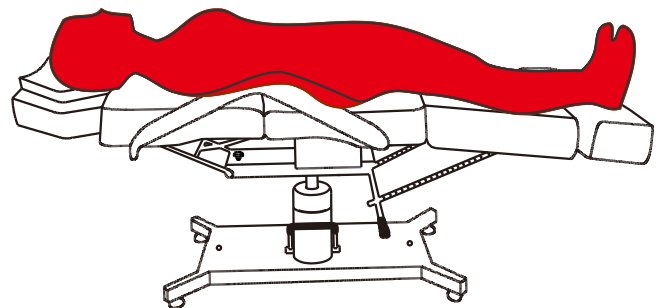
# OPERATING INSTRUCTIONS



CHAIR  
POSITION



STRADDLE  
POSITION

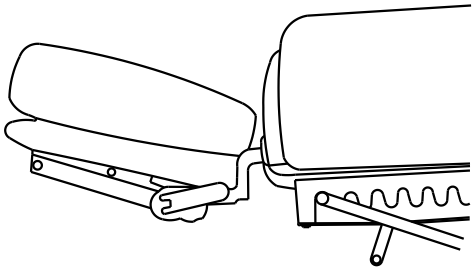


BED POSITION

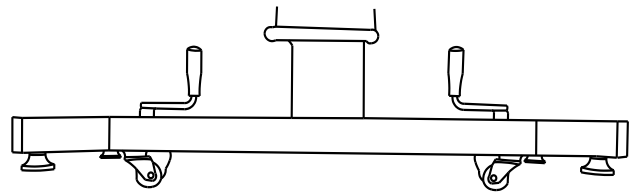
**WARNING:**  
**DO NOT POSITION CHAIR IN BED FORMAT PERPENDICULAR TO LONG PORTION OF BASE!**

## OPTIONAL ACCESSORIES

Face Cradle



TAT Soul Landing Gear  
Retractable Wheels



300 Protective Covers



# VINYL AFTERCARE

---

**1. Cleaning Instructions.** To ensure the safety and life of your vinyl seats, please use only specified cleaners and cleaning materials listed below.

**2. Accepted Cleaners.** Mix a small amount of mild dish soap with warm (not hot) water. Dip a very soft-bristled brush or soft cloth into the soapy water and gently scrub with seats in a circular motion. Wipe the water off with another soft, dry cloth.

**3. Unacceptable Cleaners.** Do not use abrasive cleaning compounds such as bleach or ammonia. They will harm the vinyl and, over time, cause the material to fade or tear. Also, do not use:

Concentrated detergents

Silicone oils

Waxes

Petroleum distillates

Dry cleaning fluids

Solvents

Steel wool

Sharp cleaning tools

Abrasive cleaning materials or impements

Acid-based cleaners



## CONTACT INFORMATION:

---

If you have any questions about our products, feel free to contact us via email or by phone. We are available via telephone during PST business hours. We try to respond to emails within a few hours of their receipt, even during evenings and weekends.

---

### General Information:

Email: [sales@tatsoul.com](mailto:sales@tatsoul.com)

Fax: 1-800-768-5643

### Sales:

Email: [sales@tatsoul.com](mailto:sales@tatsoul.com)

Telephone: 1-888-TAT-SOUL  
(1-888-828-7685) Option 1

### Technical Support:

Email: [support@tatsoul.com](mailto:support@tatsoul.com)

Telephone: 1-888-TAT-SOUL  
(1-888-828-7685) Option 2