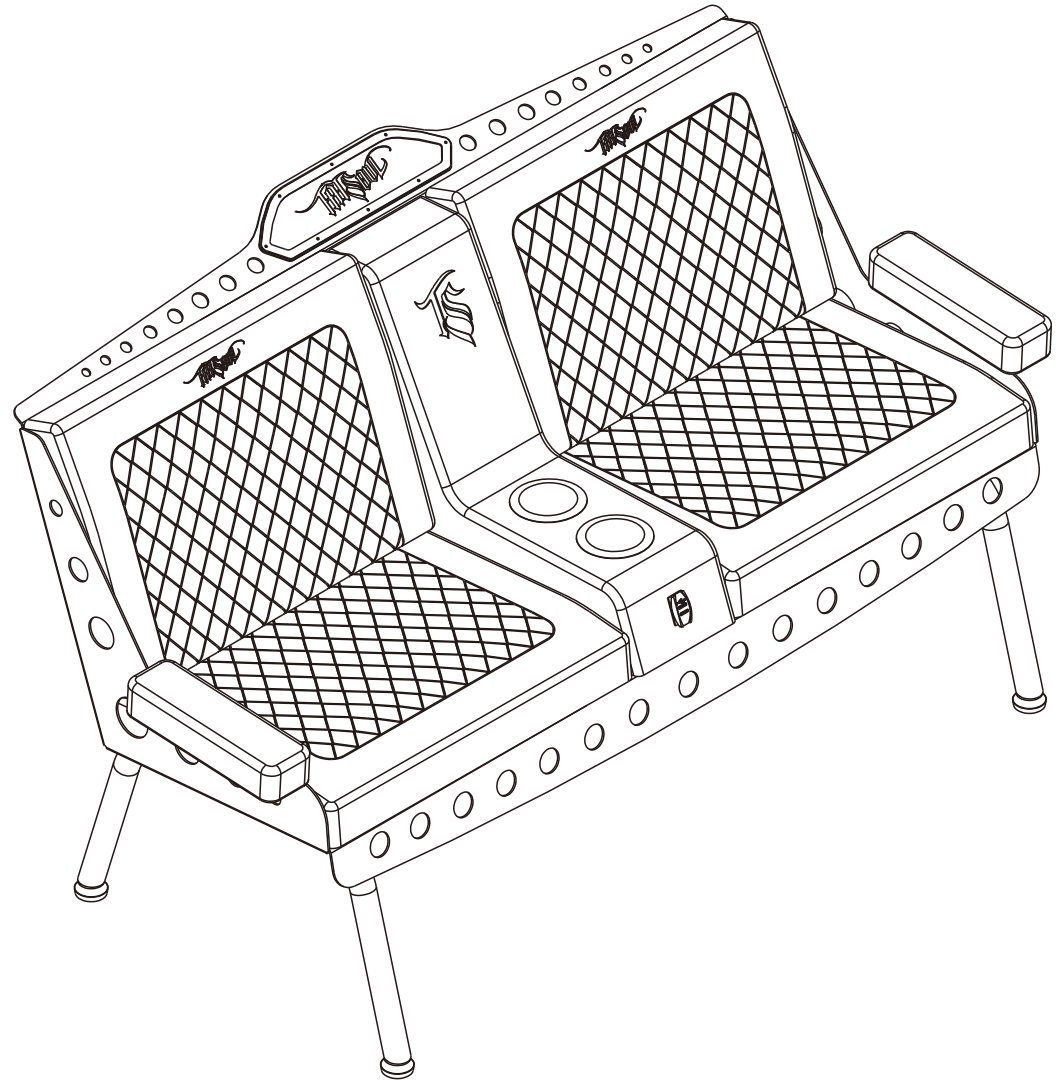




## INSTRUCTION MANUAL

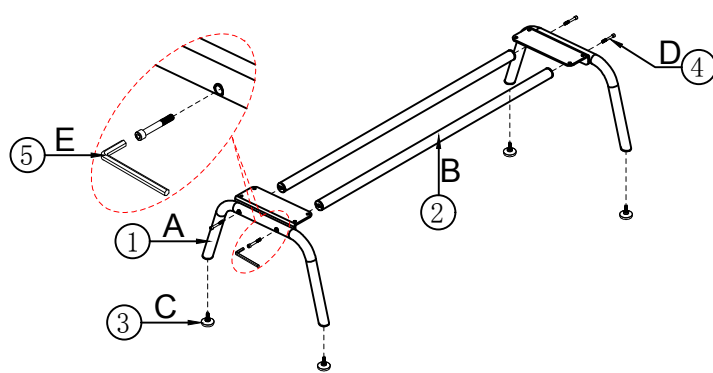
**Comfort Before Pain**



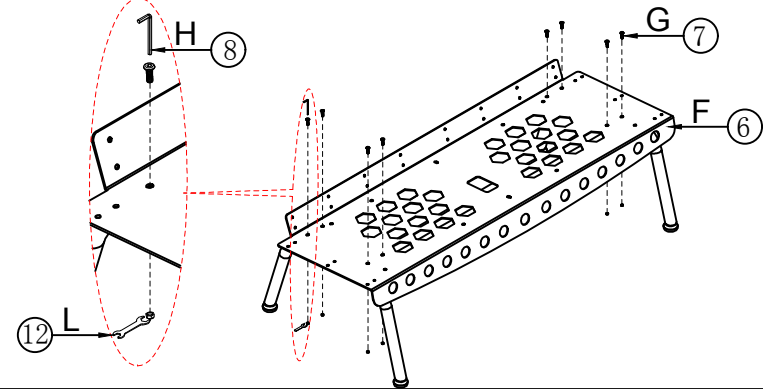
# Comfort Before Pain PART LIST

KEY	QTY	DESCRIPTION	KEY	QTY	DESCRIPTION	KEY	QTY	DESCRIPTION
①	2	(A) Leg frame	⑤	1	(E) M6 Allen key	⑨	2	(I) Armrest frame
②	2	(B) Leg frame tube	⑥	1	(F) Bottom plate	⑩	12	(J) Armrest frame screws M6x12 & M6 Cap Nut
③	4	(C) Adjustable leg φ48x10x25	⑦	8	(G) Bottom plate screws M8x20 & M8 Lock Nut	⑪	1	(K) M4 Allen key
④	4	(D) Leg frame screws M8x55	⑧	1	(H) M5 Allen key	⑫	1	(L) 10-13 Wrench with two ends

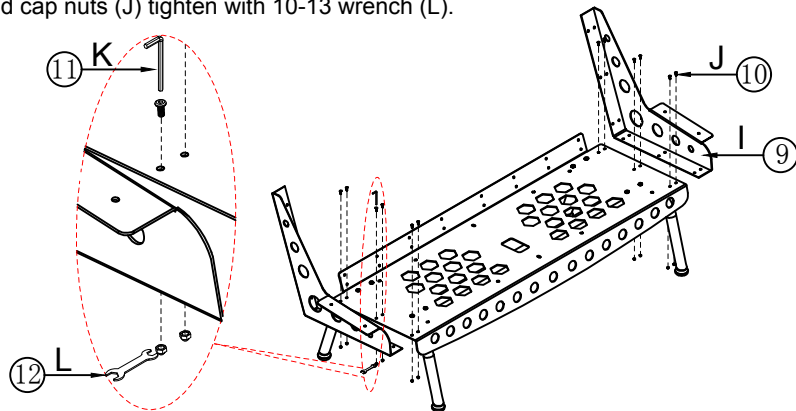
STEP 1. Screw adjustable legs into leg frame (A). Using M6 Allen key (E) Attach leg frame (A) to leg frame tube (B) with leg frame screws (D).



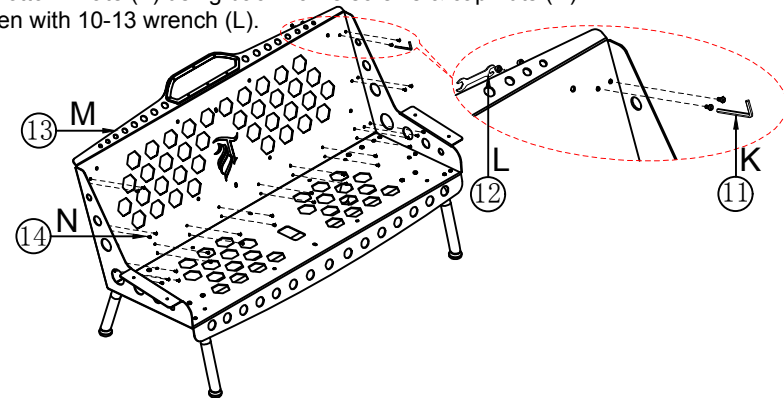
STEP 2. With M5 Allen key (H) attach bottom plate (F) to leg frame (A), using bottom plate screws & lock nuts (G) tighten with 10-13 wrench (L).



STEP 3. Attach armrest frame (I) to bottom plate (F) using armrest frame screws and cap nuts (J) tighten with 10-13 wrench (L).



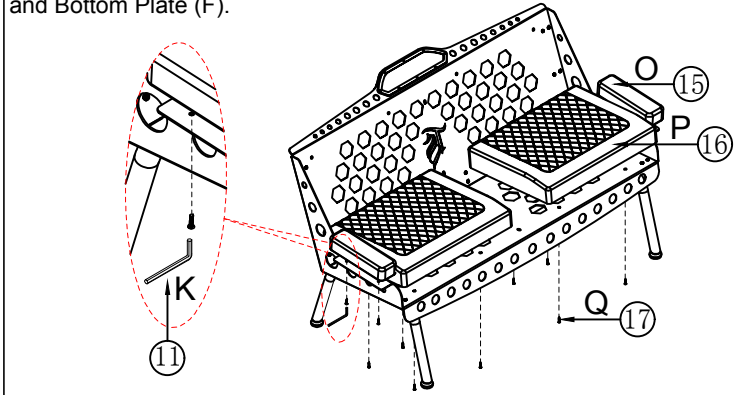
STEP 4. With M4 Allen key (K), attach Back Frame (M) to Armrest Frame (I) and Bottom Plate (F) using back frame screws & cap nuts (N). Tighten with 10-13 wrench (L).



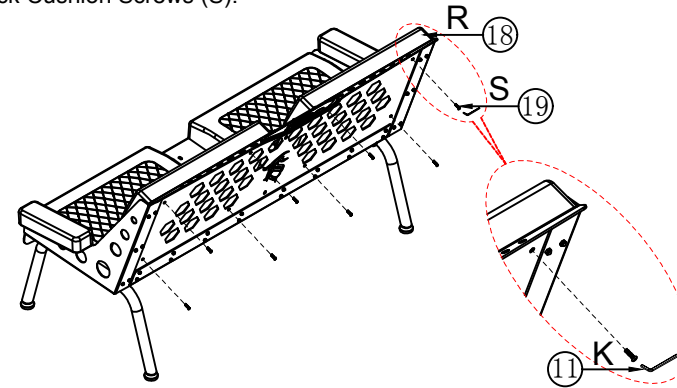
# Comfort Before Pain PART LIST

KEY	QTY	DESCRIPTION	KEY	QTY	DESCRIPTION	KEY	QTY	DESCRIPTION
13	1	(M) Back frame	16	2	(P) Seat cushion	19	8	(S) Back cushion screws M6x20
14	28	(N) Back frame screws M6x12 & M6 Cap Nut	17	12	(Q) Seat cushion & Armrest cushion screws M6x20	20	1	(T) Cup holder cushion
15	2	(O) Armrest cushion	18	2	(R) Back cushion	21	4	(U) Cup holder cushion screws M6x20

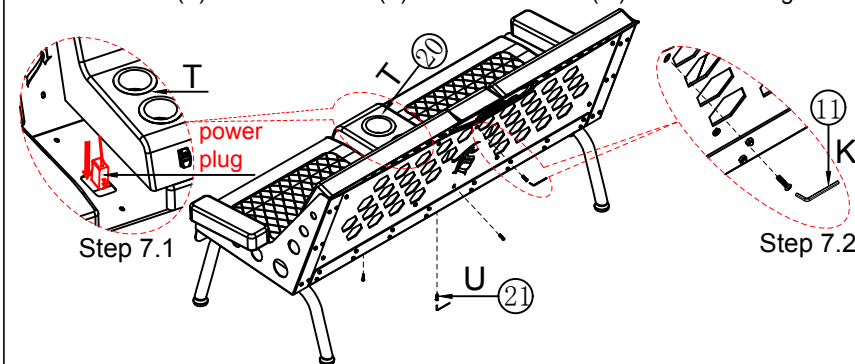
STEP 5. With M4 Allen key (K) and Seat & Armrest Cushion Screws (Q), attach Armrest Cushions (O) and Seat Cushions (P) to Armrest Frame (I) and Bottom Plate (F).



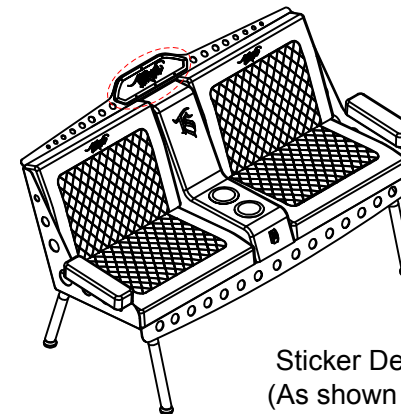
STEP 6. With M4 Allen key (K), attach Back Cushions (R) to Back Frame (M) using Back Cushion Screws (S).



STEP 7. Let the power plug go through the middle hole on the Bottom Plate (F), then insert Cup Holder Cushion (T) into Bottom Plate (F) as shown in Fig. 7.1. Last using M4 Allen key (K) and Cup Holder Cushion Screws (U), fasten Cup Holder Cushion (T) to Bottom Plate (F) and Back Frame (M) as shown in Fig. 7.2.



STEP 8



Sticker Decal Application  
(As shown in the following figure)

## Sticker Decal Application:

Step 1: Remove backing from the sticker decal provided or from your own customized decal.



Step 2: Align and place sticker, adhesive side down on the badge.



Step 3: With a hard lined tool, such as a squeegee, apply even pressure over the sticker to transfer it.



Step 4: Remove the remainder clear liner from the decal.



## VINYL AFTERCARE

**1. Use soft cleaning implements.** Only clean your vinyl seats with soft sponges, dish cloths, and soft-bristled brushes.

This will ensure your vinyl seats last for many years. Using steel wool, sharp cleaning tools, or similarly abrasive cleaning implements could cause your vinyl seating to tear.

**2. Wash your vinyl with soapy water.** Mix a small amount of mild dish soap with warm water until the mixture is sudsy.

Dip a soft-bristled brush or soft cloth in the water. Scrub the vinyl seats until clean.

**3. Do not use abrasive cleaning compounds.** Undiluted bleach, for instance, is too caustic to use on vinyl. Over time, cleaning your vinyl seats with bleach will cause them to break down.<sup>[6]</sup> Likewise, avoid cleaning compounds containing:<sup>[7]</sup>

- concentrated detergents
- silicone oils
- waxes
- petroleum distillates
- dry cleaning fluids
- solvents
- acid-based cleaners