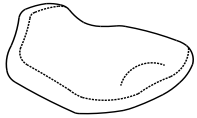
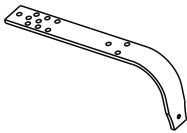


SS210 install instruction

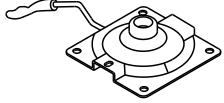
A Seat cushion
1 pcs



B Backrest metal
1 pcs



C Stool swivel
mechanism
1 pcs



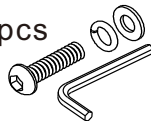
D Twist screw knob
M8x26x15
1 pcs



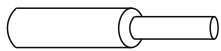
E Back cushion
1 pcs



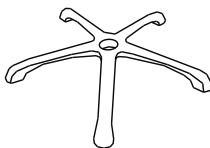
F Screws M8x30 6 pcs
Washers $\phi 8 \times 17 \times 1.5$ 6 pcs
Gaskets $\phi 8$ 6 pcs
G M5 Allen Key 1 pcs



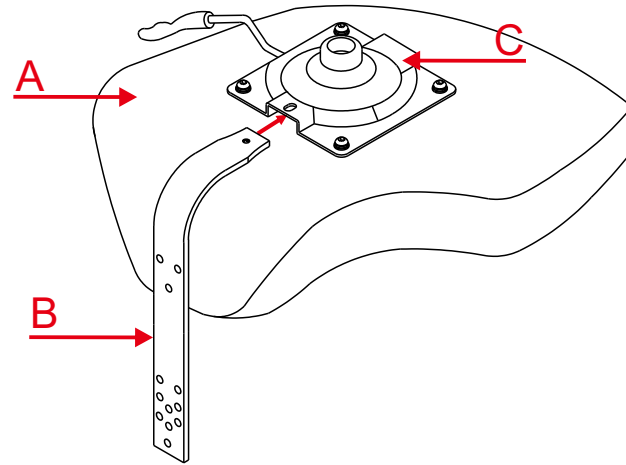
H Gas spring
1 pcs



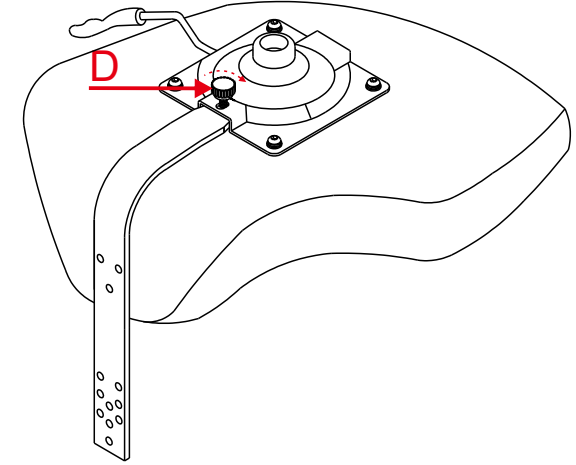
I Five star base
1 pcs



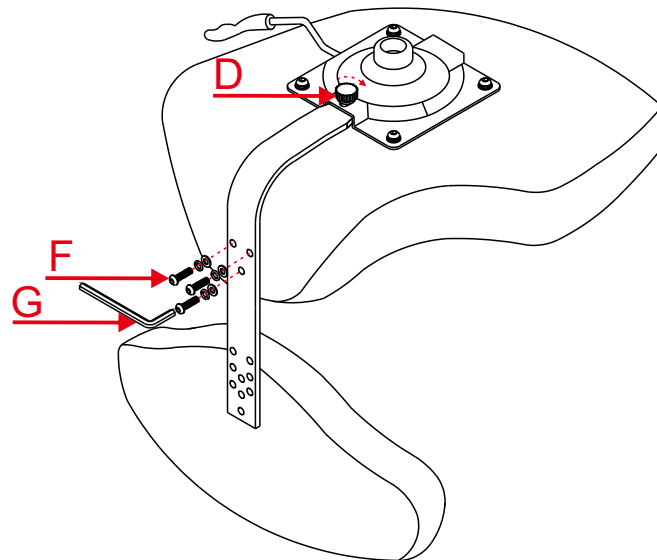
J Casters
5 pcs



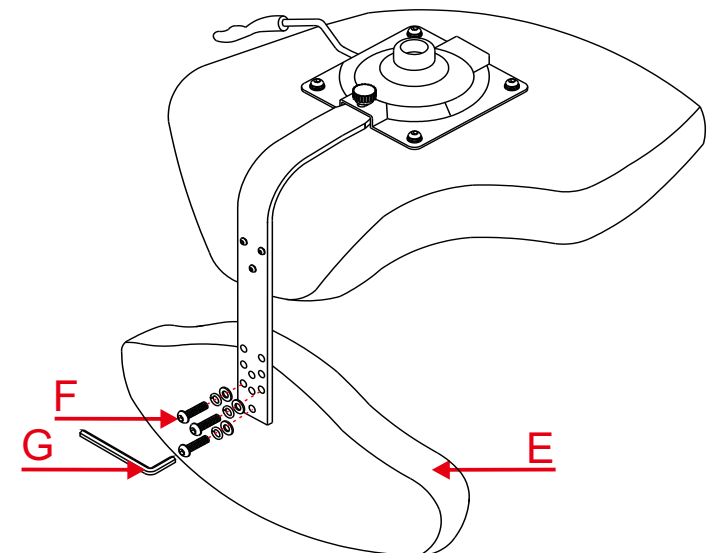
Step 1: According to the point, put backrest metal B into the mechanism C.



Step 2: Insert Twist screw knob D, but do not tighten.



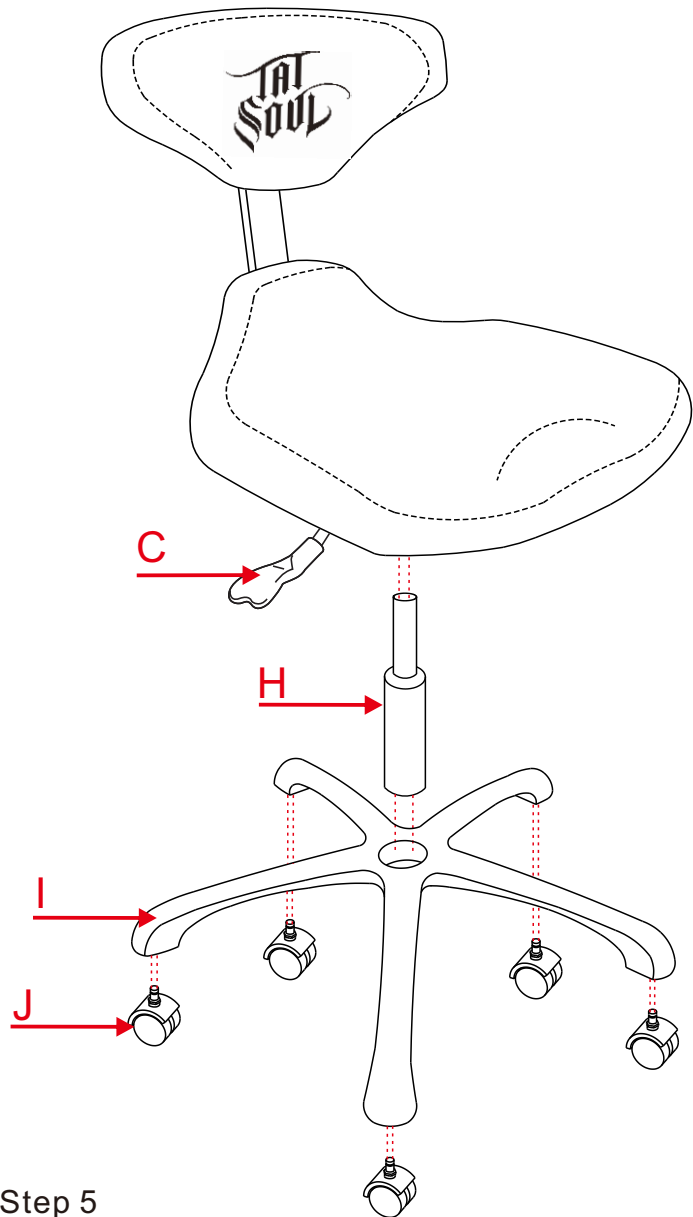
Step 3: Using Allen Key G, Tighten screws F, then tighten Twist screw knob D.



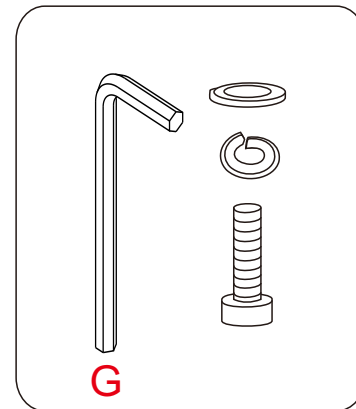
Step 4: Using Allen Key G, Tighten screws F.

SS210 install instruction

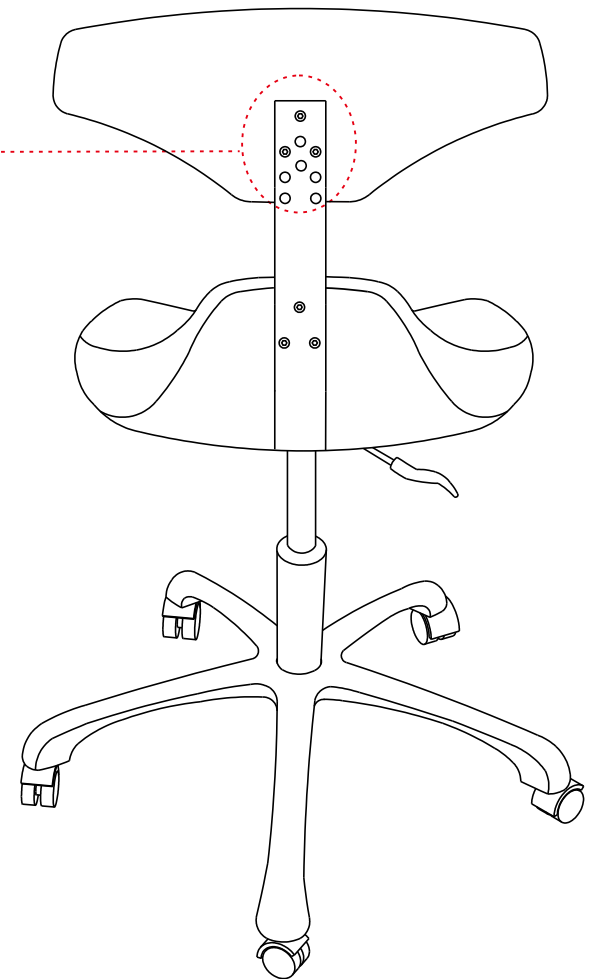
Insert mechanism (C) on to gas spring (H).
Insert gas spring (H) into base (I).
Insert casters (J) into base (I).



Step 5



The Allen key can adjust
backrest to a comfortable height.



Step 6

VINYL AFTERCARE

1. Use soft cleaning implements. Only clean your vinyl seats with soft sponges, dish cloths, and soft-bristled brushes. This will ensure your vinyl seats last for many years. Using steel wool, sharp cleaning tools, or similarly abrasive cleaning implements could cause your vinyl seating to tear.

2. Wash your vinyl with soapy water. Mix a small amount of mild dish soap with warm water until the mixture is sudsy. Dip a soft-bristled brush or soft cloth in the water. Scrub the vinyl seats until clean.

3. Do not use abrasive cleaning compounds. Undiluted bleach, for instance, is too caustic to use on vinyl. Over time, cleaning your vinyl seats with bleach will cause them to break down.^[6] Likewise, avoid cleaning compounds containing:^[7]

- concentrated detergents
- silicone oils
- waxes
- petroleum distillates
- dry cleaning fluids
- solvents
- acid-based cleaners