



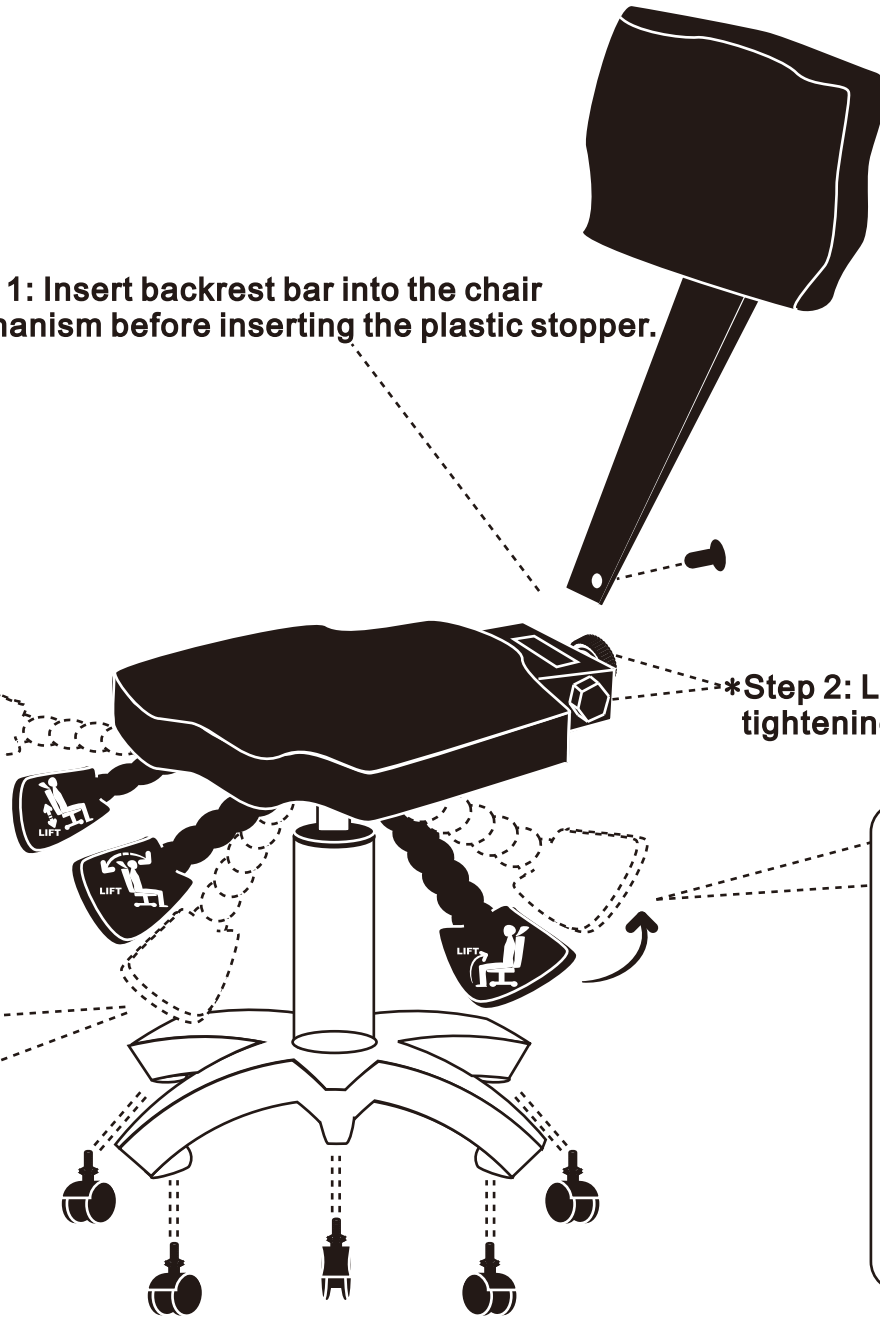
Artist Chair - ac 270
1.888.828.7685
www.tatsoul.com



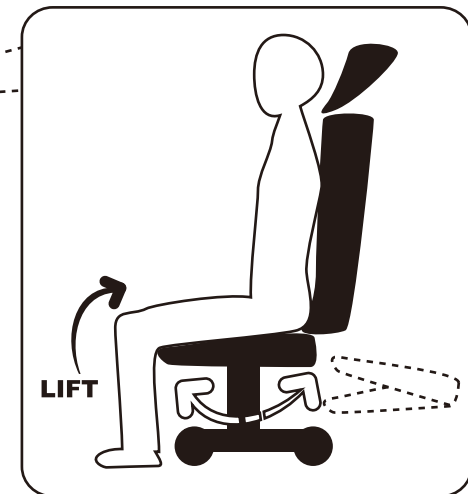
***Step 1: Insert backrest bar into the chair mechanism before inserting the plastic stopper.**



**PULL LEVER UP AND ADJUST
PUSH DOWN LEVER TO LOCK**



***Step 2: Lock in the backrest by adjusting and tightening these two knobs.**



**PULL LEVER UP AND ADJUST
PUSH DOWN LEVER TO LOCK**

***Step 3: Insert casters into base.**

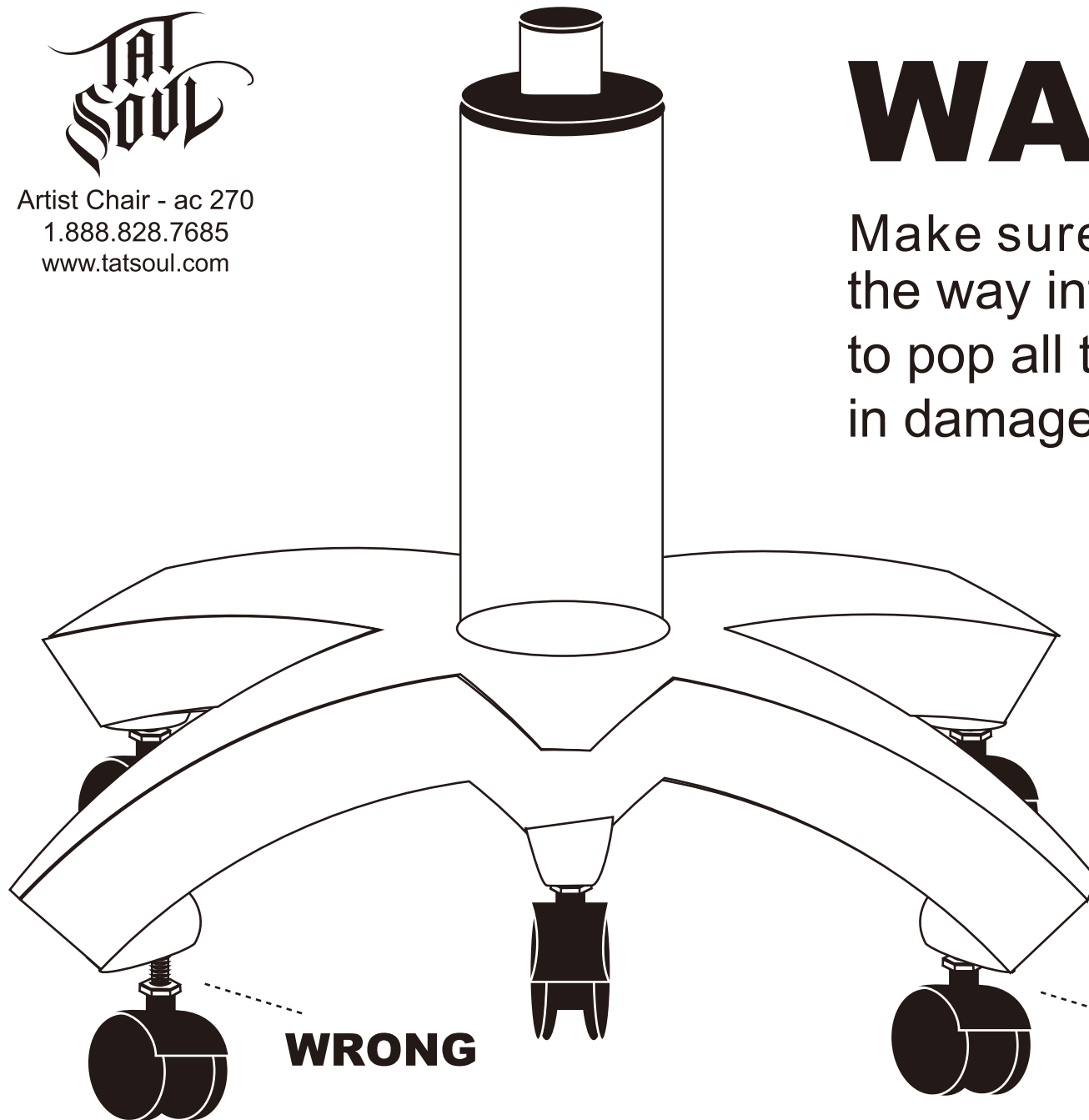
***Step 4: Insert Lift Piston into chair mechanism.**



Artist Chair - ac 270
1.888.828.7685
www.tatsoul.com

WARNING

Make sure to pop wheels all the way into the base. Failure to pop all the way in will result in damaged wheels.



WRONG

CORRECT

VINYL AFTERCARE

1. Cleaning Instructions. To ensure the safety and life of your vinyl seats, please use only specified cleaners and cleaning materials listed below.

2. Accepted Cleaners. Mix a small amount of mild dish soap with warm(not hot) water . Dip a very soft-bristled brush or soft cloth into the soapy water and gently scrub with seats in a circular motion. Wipe the water off with another soft, dry cloth.

3. Unacceptable Cleaners. Do not use abrasive cleaning compounds such as bleach or ammonia. They will harm the vinyl and, over time, cause the material to fade or tear. Also, do not use:

Concentrated detergents

Silicone oils

Waxes

Petroleum distillates

Dry cleaning fluids

Solvents

Steel wool

Sharp cleaning tools

Abrasive cleaning materials or impements

Acid-based cleaners