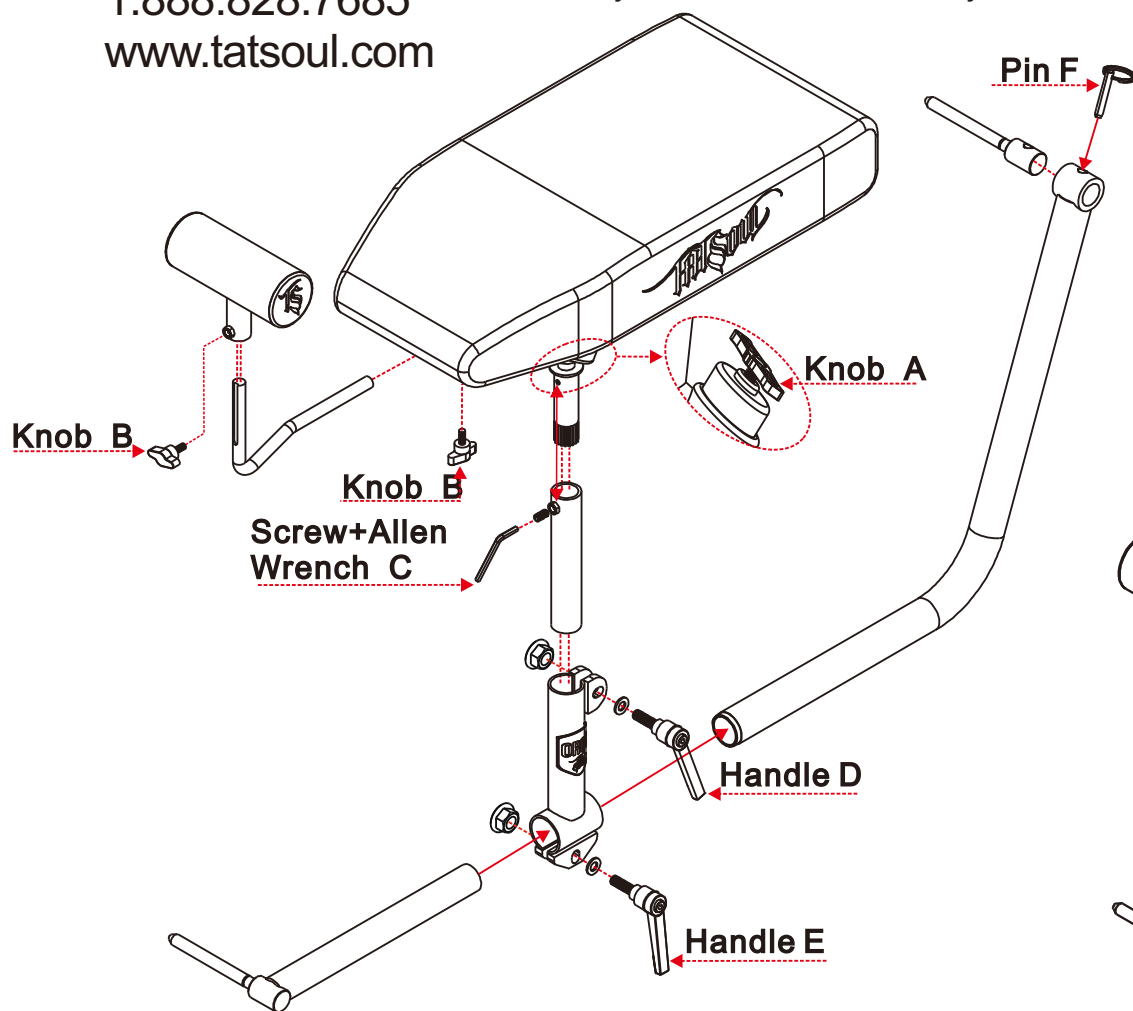




1.888.828.7685
www.tatsoul.com

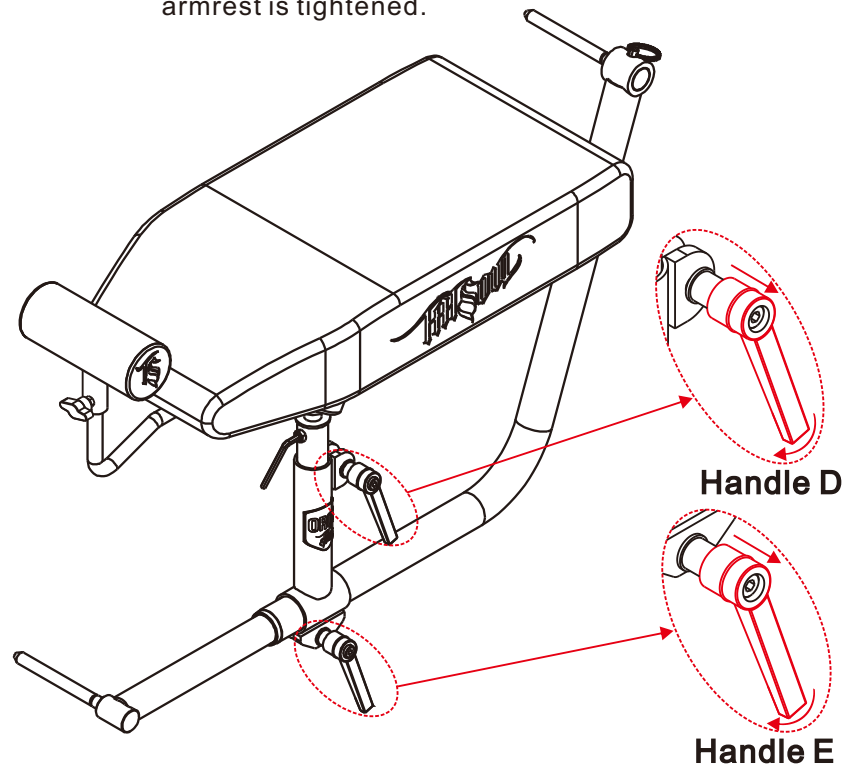
OLA-680 Instruction:

1. Insert armrest into any TATSOUL compatible client furniture.
2. Insert **Pin F** in the direction of arrow to lock in and secure the armrest.
3. Adjust **Knob A** to rotate the cushion by 360°. Tighten the knob to hold the armrest in place.
4. Adjust **Knob B** to adjust the height of the hand grip. Tighten the knob to hold the hand grip in place.
5. Align the hole position in the direction of arrow and lock it with **Screw+Allen Wrench C** to secure the rotating ball joint.
6. Adjust **Handle D** to raise/lower the armrest to comfortable height.
7. Adjust the **Handle E** to adjust the armrest to a suitable angle.



How to use Handle D/E?

- Step 1: Twist the handle D/E until the handle cannot be tightened.
Step 2: Then pull the handle out towards you to reset the locking mechanism so that the handle can be tightened again.
Step 3: Repeat the method of Step 2 several times until the armrest is tightened.



VINYL AFTERCARE

1. Use soft cleaning implements. Only clean your vinyl seats with soft sponges, dish cloths, and soft-bristled brushes.

Using steel wool, sharp cleaning tools, or similarly abrasive cleaning implements could cause your vinyl seating to tear.

2. Wash your vinyl with soapy water. Mix a small amount of mild dish soap with warm water until the mixture is sudsy. Dip a soft-bristled brush or soft cloth in the water. Scrub the vinyl seats until clean.

3. Do not use abrasive cleaning compounds. Undiluted bleach, for instance, is too caustic to use on vinyl. Over time, cleaning your vinyl seats with bleach will cause them to break down.^[6] Likewise, avoid cleaning compounds containing:^[7]

- concentrated detergents
- silicone oils
- waxes
- petroleum distillates
- dry cleaning fluids
- solvents
- acid-based cleaners



1.888.828.7685
www.tatsoul.com