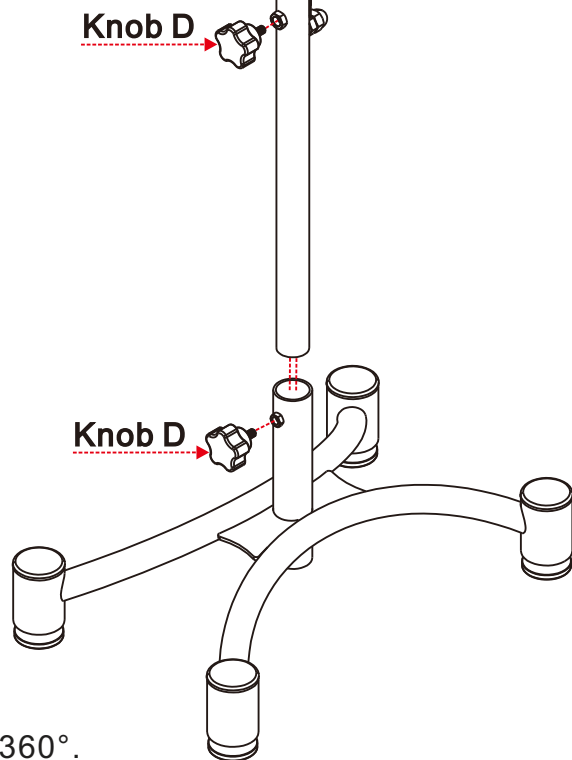
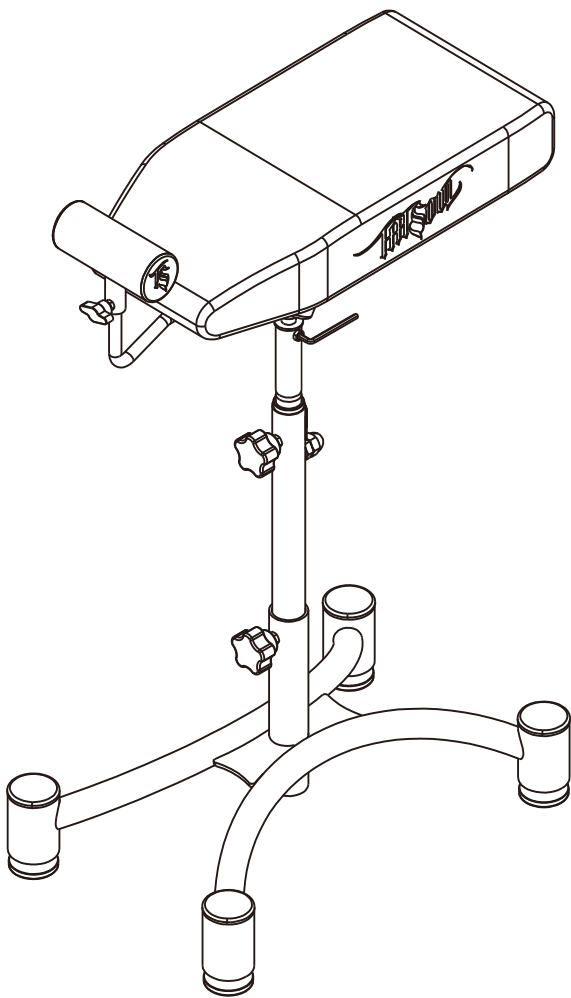
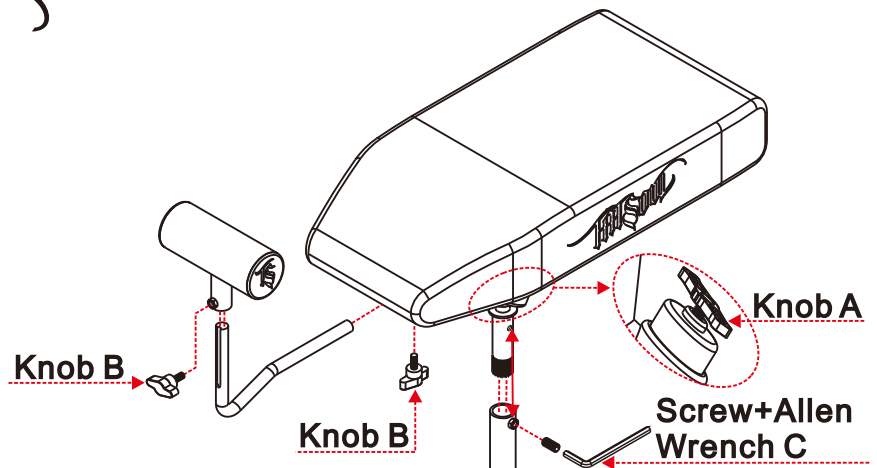




1.888.828.7685
www.tatsoul.com



OA-680 Instructions:

1. Adjust **Knob A** to rotate the cushion by 360°. Tighten the knob to hold the armrest in place.
2. Adjust **Knob B** to adjust the height of the hand grip. Tighten the knob to hold the hand grip in place.
3. Align the hole position in the direction of arrow and lock it with **Screw+Allen Wrench C** to secure the rotating ball joint.
4. To adjust height, use the upper **Knob D** for all height adjustments. Caution: If extreme height is needed, the bottom **Knob D** can be used for adjustment, but the paint may scratch when tightened.



1.888.828.7685

www.tatsoul.com

VINYL AFTERCARE

1. Use soft cleaning implements. Only clean your vinyl seats with soft sponges, dish cloths, and soft-bristled brushes.

Using steel wool, sharp cleaning tools, or similarly abrasive cleaning implements could cause your vinyl seating to tear.

2. Wash your vinyl with soapy water. Mix a small amount of mild dish soap with warm water until the mixture is sudsy. Dip a soft-bristled brush or soft cloth in the water. Scrub the vinyl seats until clean.

3. Do not use abrasive cleaning compounds. Undiluted bleach, for instance, is too caustic to use on vinyl. Over time, cleaning your vinyl seats with bleach will cause them to break down.^[6] Likewise, avoid cleaning compounds containing:^[7]

- concentrated detergents
- silicone oils
- waxes
- petroleum distillates
- dry cleaning fluids
- solvents
- acid-based cleaners