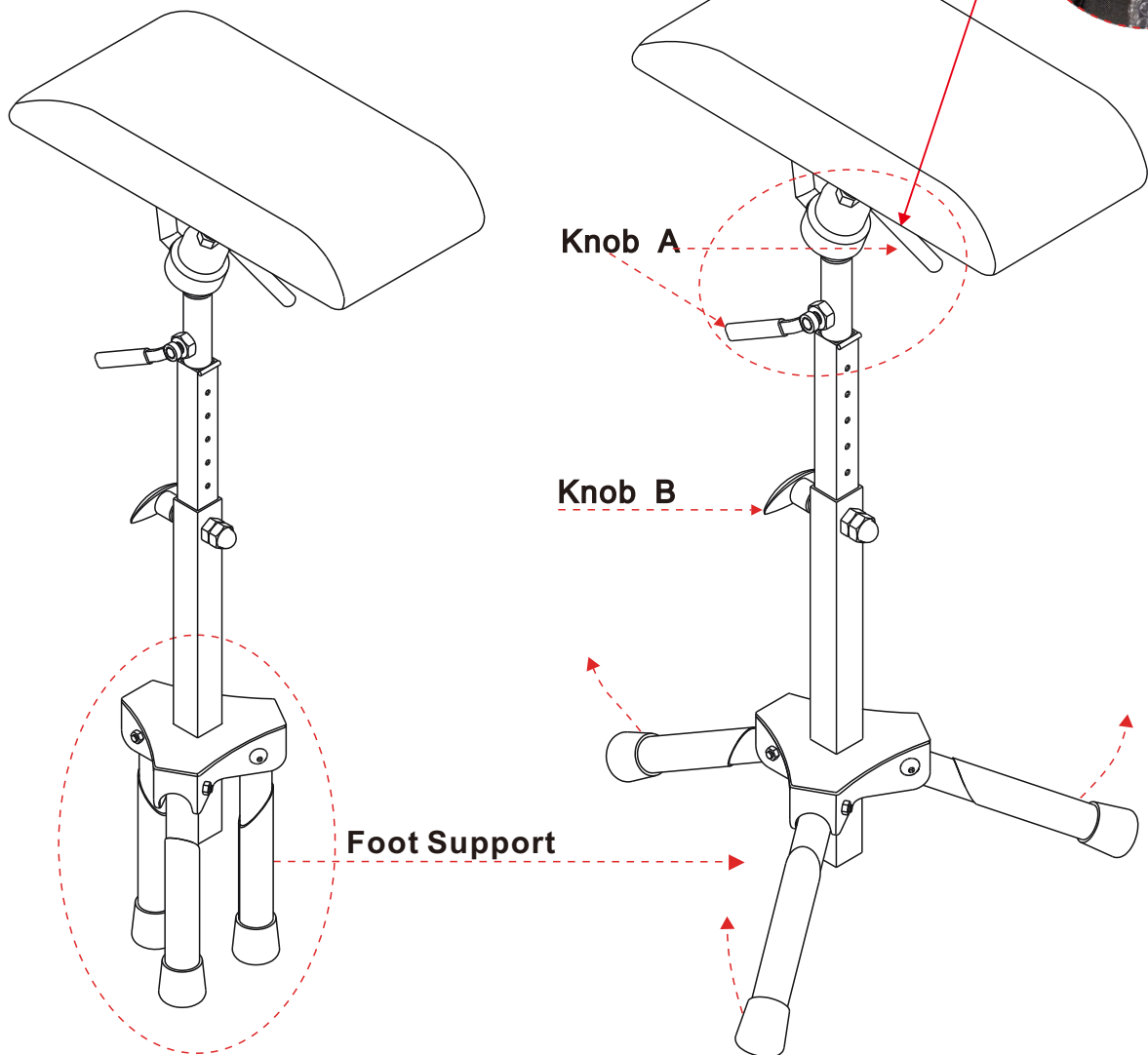


# TATSOUL PYLON

1.888.828.7685

www.tatsoul.com



## Knob A

- 1) Adjusts the arm pad angle. Tighten the knob to hold arm rest in place.
- 2) Removes or attaches arm pad to tripod.

Knob B adjusts height of tripod.

Extend foot support upward in the direction of the arrow.

**Note: Knob A is in the side of the bag as shown in the photo.**

# VINYL AFTERCARE

**1. Use soft cleaning implements.** Only clean your vinyl seats with soft sponges, dish cloths, and soft-bristled brushes. This will ensure your vinyl seats last for many years. Using steel wool, sharp cleaning tools, or similarly abrasive cleaning implements could cause your vinyl seating to tear.

**2. Wash your vinyl with soapy water.** Mix a small amount of mild dish soap with warm water until the mixture is sudsy. Dip a soft-bristled brush or soft cloth in the water. Scrub the vinyl seats until clean.

**3. Do not use abrasive cleaning compounds.** Undiluted bleach, for instance, is too caustic to use on vinyl. Over time, cleaning your vinyl seats with bleach will cause them to break down.<sup>[6]</sup> Likewise, avoid cleaning compounds containing:<sup>[7]</sup>

- concentrated detergents
- silicone oils
- waxes
- petroleum distillates
- dry cleaning fluids
- solvents
- acid-based cleaners