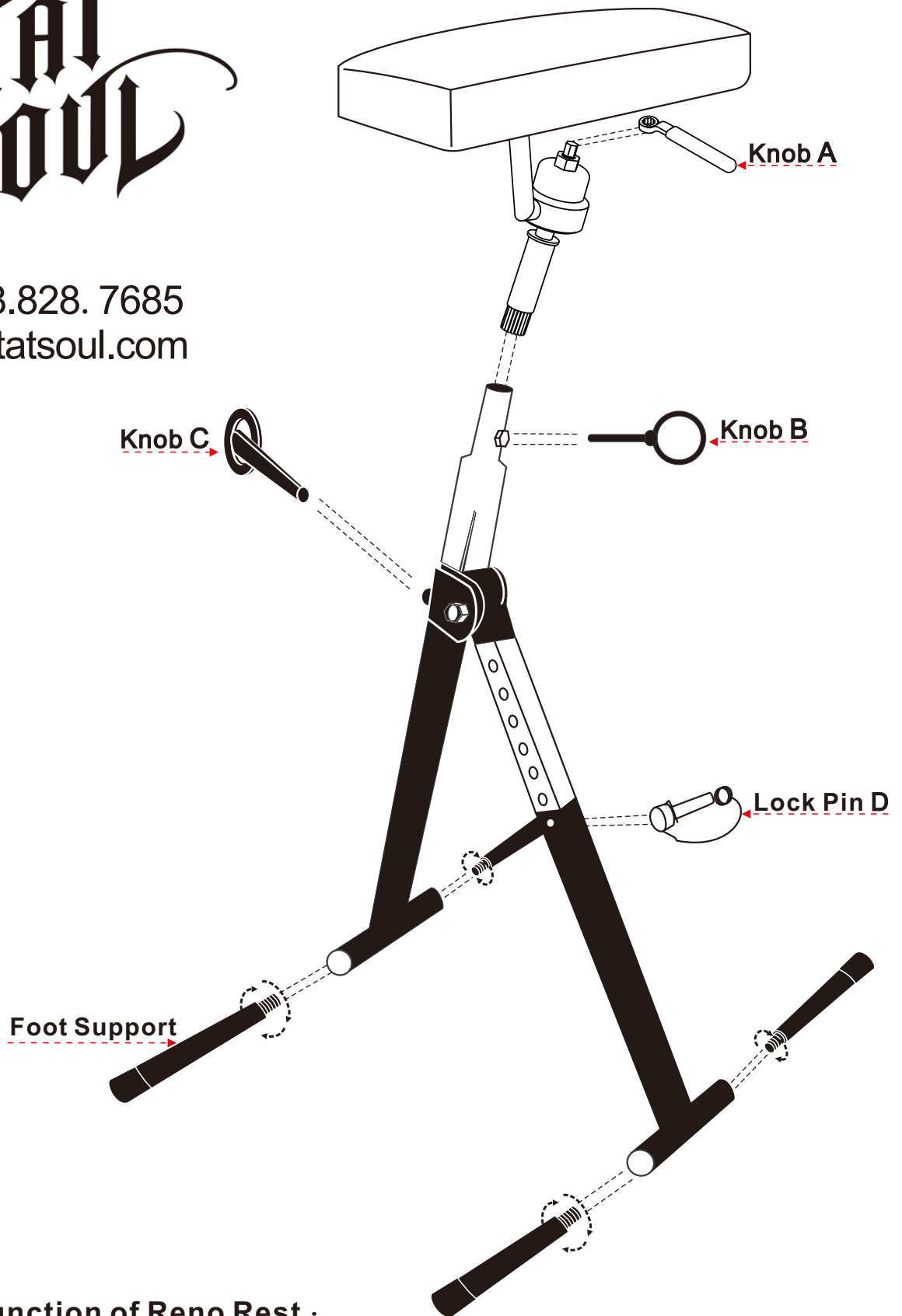




1. 888.828. 7685
www.tatsoul.com



The function of Reno Rest :

1. Adjust Knob A to rotate the Reno Rest 360°. Tighten the knob to hold the arm rest in place.
2. Adjust Knob B to tighten or loosen the arm rest support frame.
3. Tighten or loosen Knob C and/or Lock Pin D when adjusting height.
4. Tighten the foot support in the direction of the arrow.



1. 888.828. 7685
www.tatsoul.com

VINYL AFTERCARE

1. Use soft cleaning implements. Only clean your vinyl seats with soft sponges, dish cloths, and soft-bristled brushes. This will ensure your vinyl seats last for many years. Using steel wool, sharp cleaning tools, or similarly abrasive cleaning implements could cause your vinyl seating to tear.

2. Wash your vinyl with soapy water. Mix a small amount of mild dish soap with warm water until the mixture is sudsy. Dip a soft-bristled brush or soft cloth in the water. Scrub the vinyl seats until clean.

3. Do not use abrasive cleaning compounds. Undiluted bleach, for instance, is too caustic to use on vinyl. Over time, cleaning your vinyl seats with bleach will cause them to break down.^[6] Likewise, avoid cleaning compounds containing:^[7]

- concentrated detergents
- silicone oils
- waxes
- petroleum distillates
- dry cleaning fluids
- solvents
- acid-based cleaners