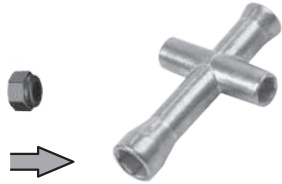


2>

Replace the tires



Use the hexagon nut wrench to take out the nut fixing the tire and remove the old tires. Put on new tires.



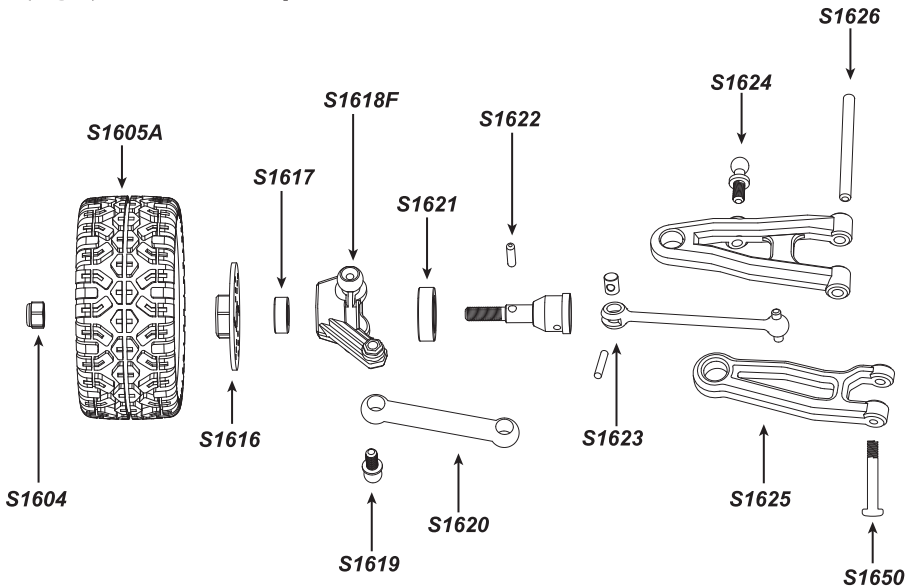
Hexagon nut wrench



3>

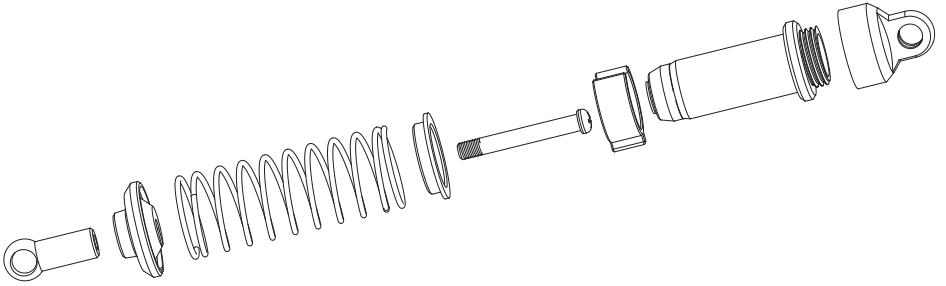
Parts exploded view

Left(Right) front wheel component

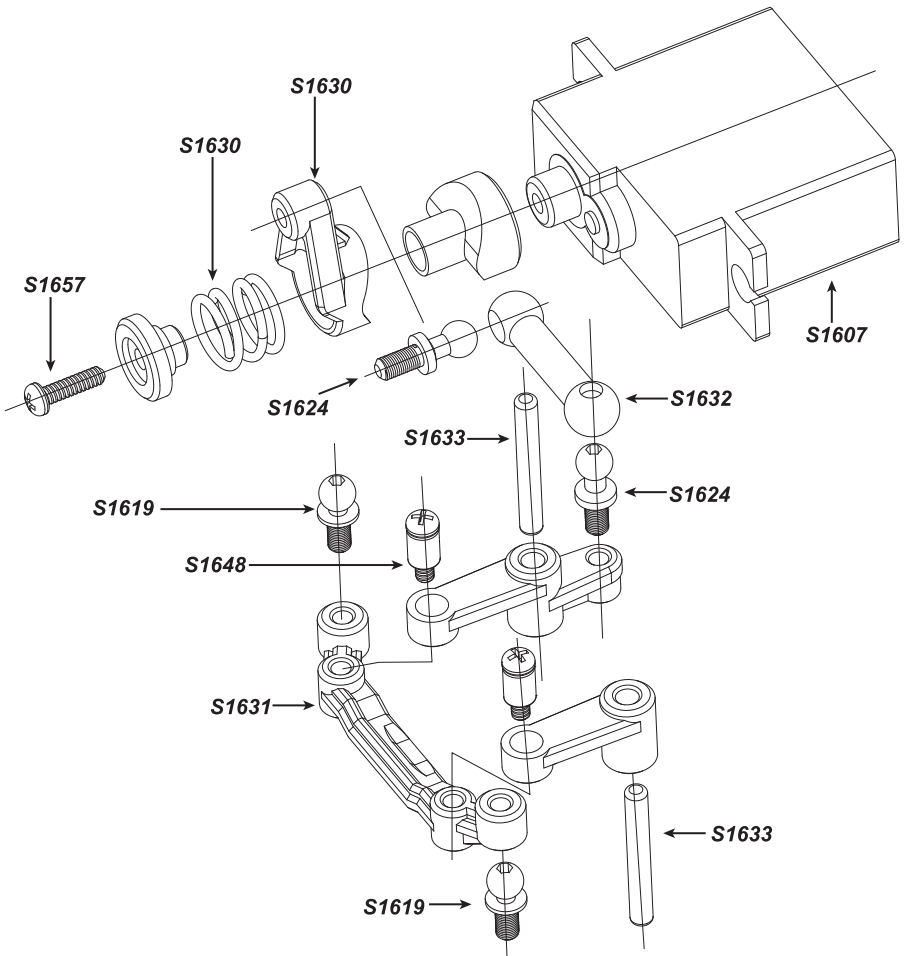


Front (rear) shock absorber components

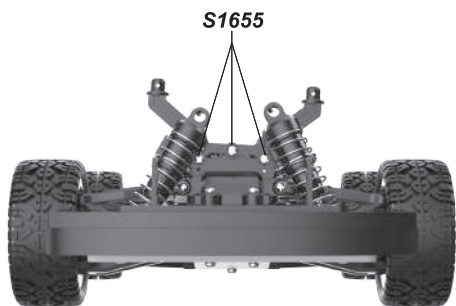
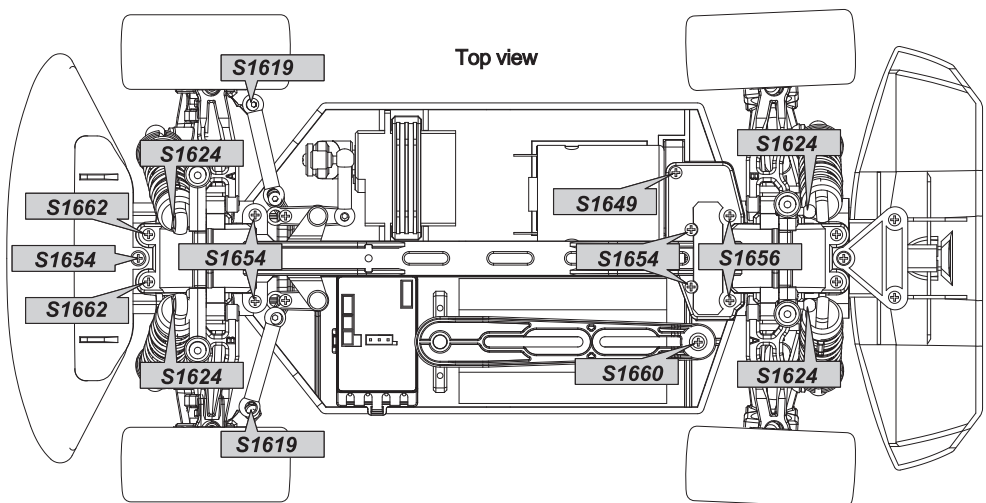
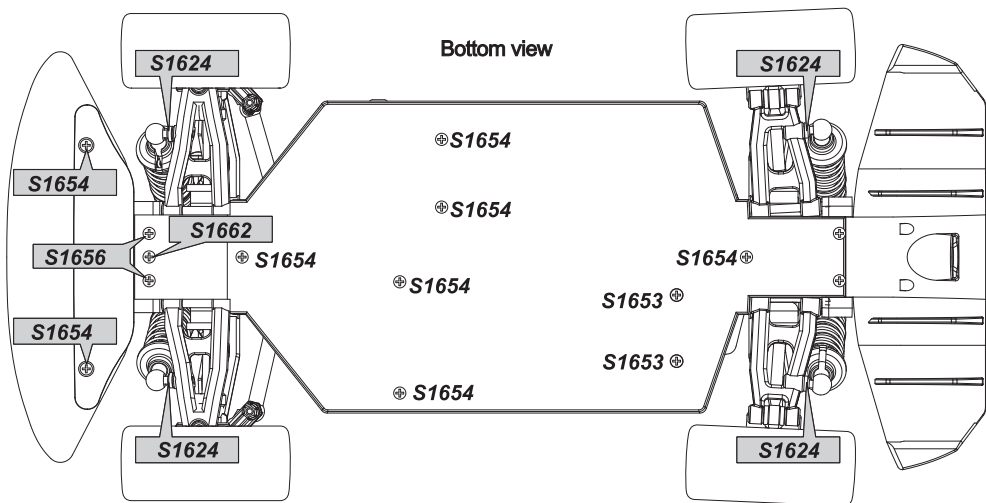
S1609



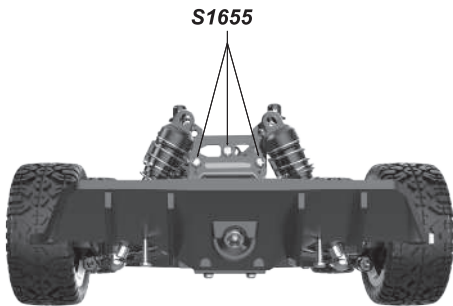
Steering system components



Screws assembly diagram

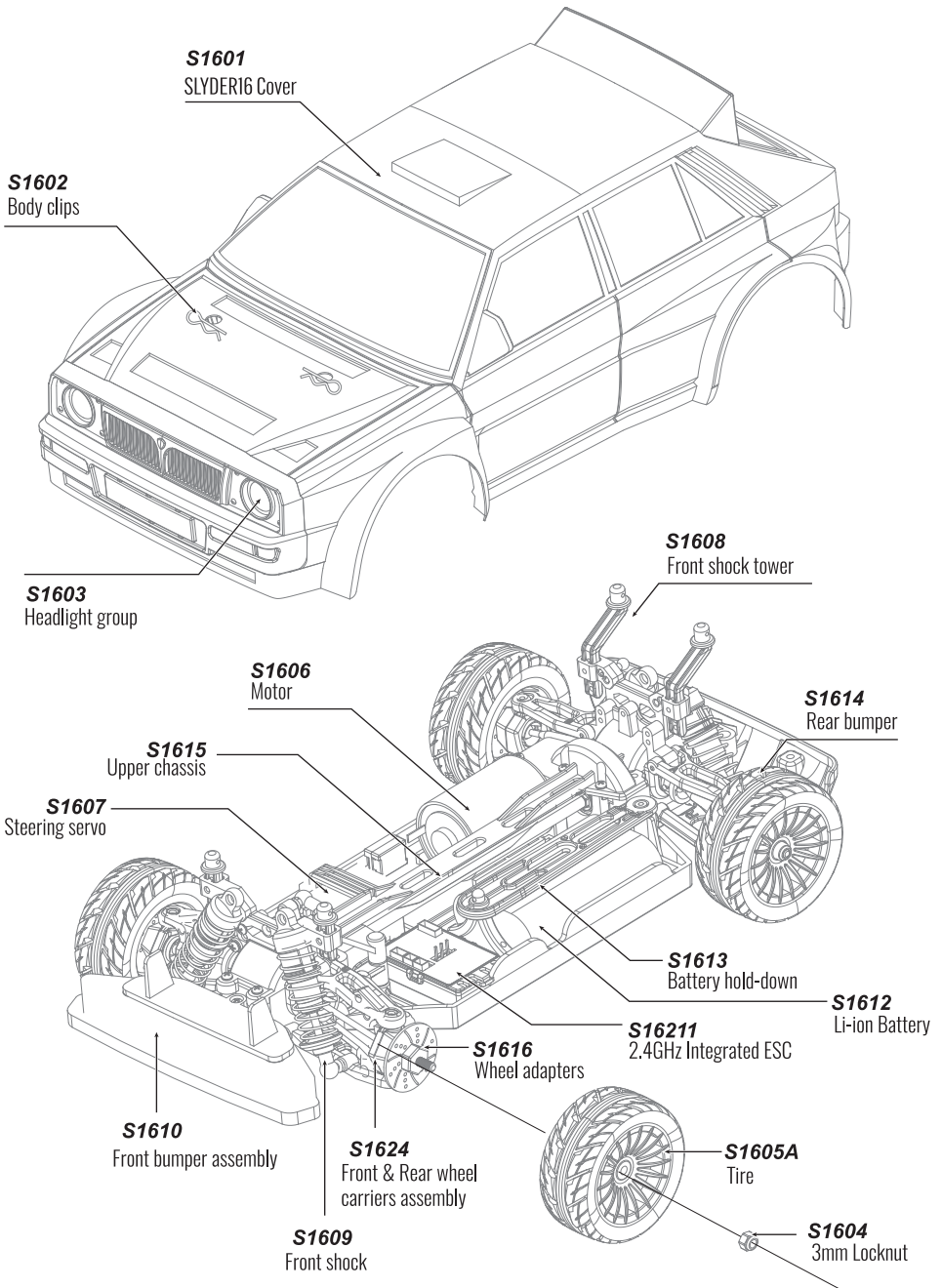


Front view



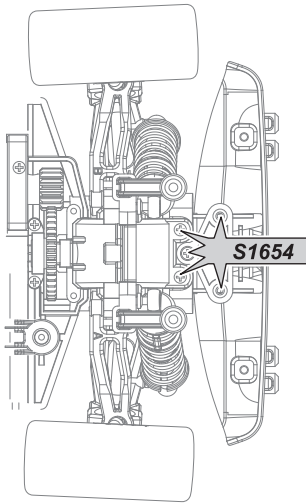
Rear view

Parts exploded view

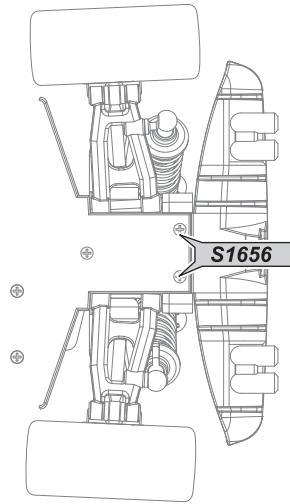


Parts exploded view

Screws assembly diagram



S1614 Top view



S1614 Bottom view