

Hobbe.

ASSEMBLY INSTRUCTIONS OTTOMAN GEORGETOWN

IMPORTANT: READ THESE INSTRUCTIONS CAREFULLY BEFORE ATTEMPTING TO ASSEMBLE OR USE YOUR OTTOMAN. PLEASE KEEP THESE INSTRUCTIONS FOR FUTURE REFERENCE.

HEALTH & SAFETY:

DO NOT jump on this ottoman.

DO NOT use this ottoman if any parts are missing, damaged or worn.

DO NOT use this ottoman unless all fixings are tightly secured.

Always use on a level and even surface.

Proper assembly is crucial.

Improper assembly can result in damage to your ottoman or cause injuries.

Ensure an adult is always present during use of the ottoman.

CARE & MAINTENANCE:

Periodically check all screws & fixings to ensure they are tightly secured.

Always lift the ottoman with two people whenever you need to change the ottoman position.

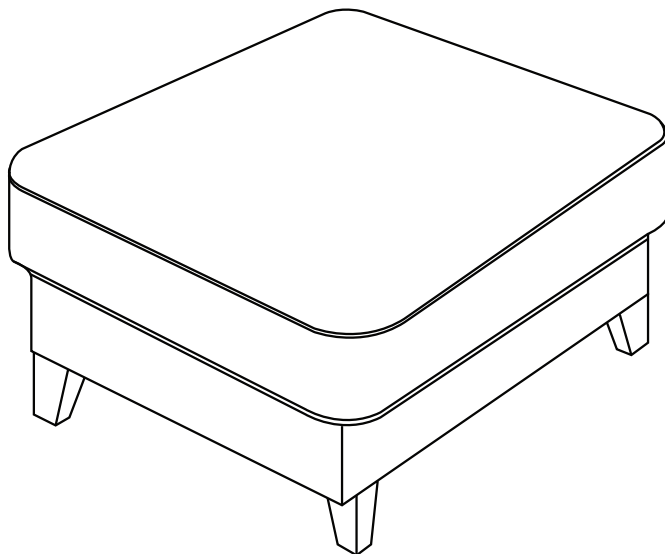
Keep any sharp objects away from the ottoman.

To avoid possible scratching, assemble furniture on a soft surface such as carpet or a blanket.

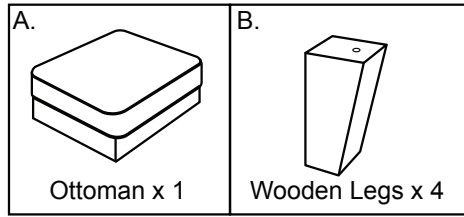
NECESSARY TOOLS



This tool can be use on both end



PART LIST



HARDWARE

