

Hobbe.

ASSEMBLY INSTRUCTIONS BORDEAUX STYLE

IMPORTANT: READ THESE INSTRUCTIONS CAREFULLY BEFORE ATTEMPTING TO ASSEMBLE OR USE YOUR CHAIR.

PLEASE KEEP THESE INSTRUCTIONS FOR FUTURE REFERENCE

HEALTH & SAFETY:

DO NOT jump on this chair.
DO NOT use this chair if any parts are missing, damaged or worn.
DO NOT use this chair unless all fixings are tightly secured.
Always use on a level, even surface.
Proper assembly is critical.
Improper assembly can result in damage to your chair or cause harm to your child.
Ensure an adult is always present during use of the chair.

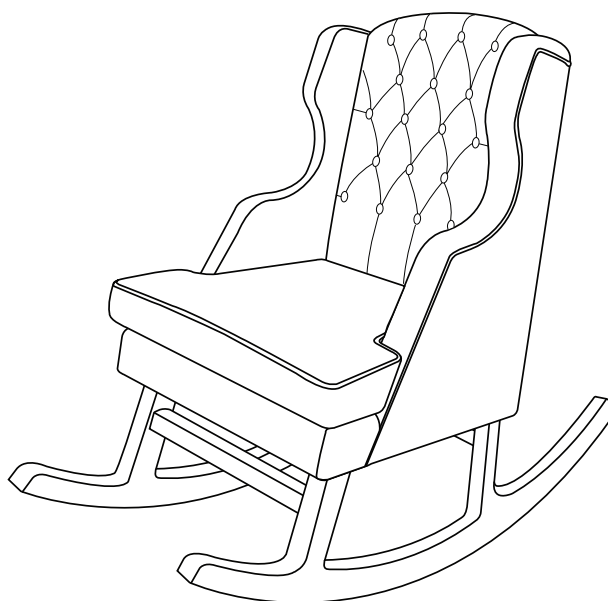
CARE & MAINTENANCE:

Periodically check all screws & fixings to ensure they are tightly secured.
Always lift the chair with two people whenever you need to change the chair position.
Keep any sharp objects away from the chair.
To avoid possible scratching, assemble furniture on a soft surface such as carpet or a blanket.

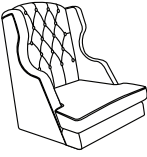
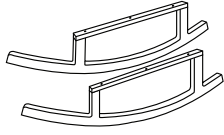
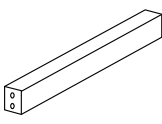
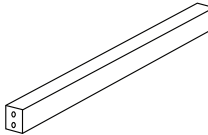
NECESSARY TOOLS









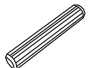
This tool can be used on both ends

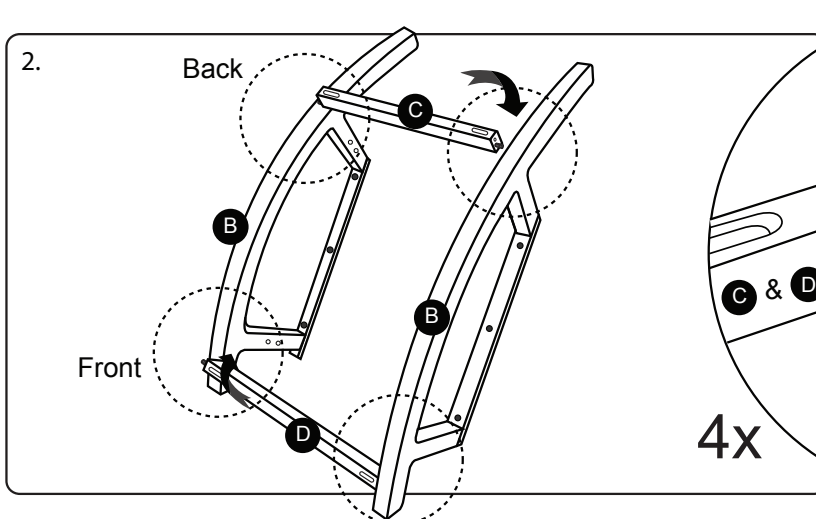
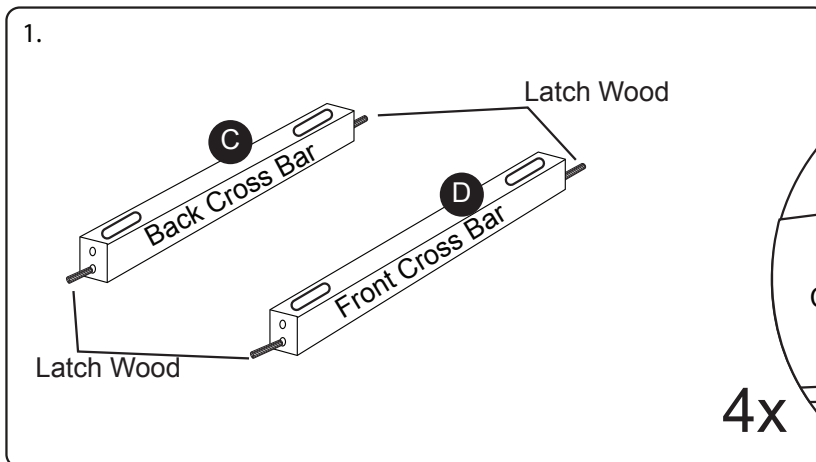


PART LIST

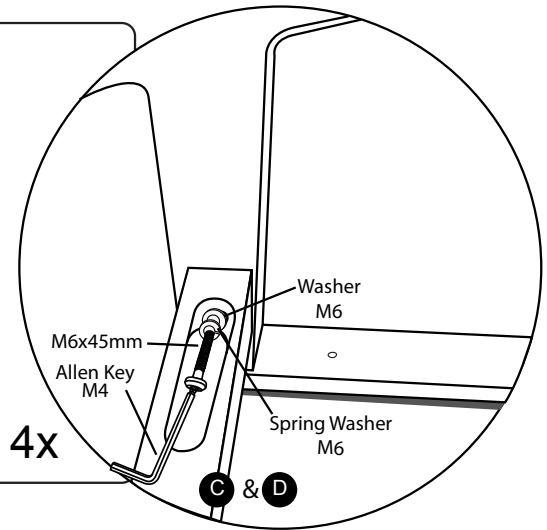
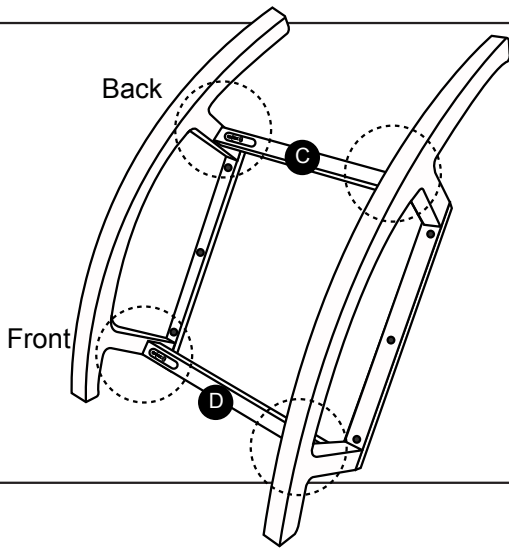
<p>A.</p>  <p>Rocker Chair x 1</p>	<p>B.</p>  <p>Wooden Legs x 2</p>	<p>C.</p>  <p>Back Cross Bar (Shorter) x 1</p>	<p>D.</p>  <p>Front Cross Bar (longer) x 1</p>
---	--	---	--

HARDWARE

<p>1.</p>  <p>M6 x 55mm x 6pcs</p>	<p>2.</p>  <p>M6 x 45mm x 4pcs</p>	<p>3.</p>  <p>Washer M8 x 6pcs</p>	<p>4.</p>  <p>Washer M6 x 4pcs</p>	<p>5.</p>  <p>Spring Washer M6 x 10pcs</p>	<p>6.</p>  <p>Allen Key M4 x 1</p>	<p>7.</p>  <p>Latch Wood x 4pcs</p>
---	---	---	---	---	---	--

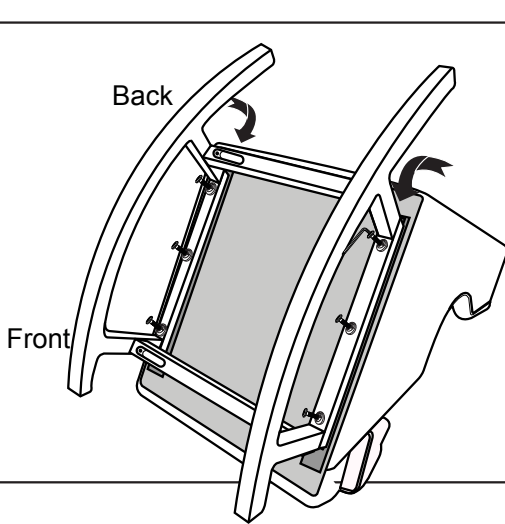


3.

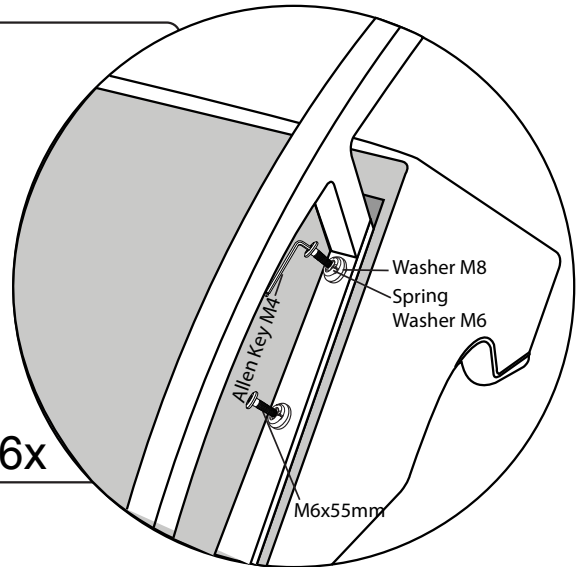


4x

4.



6x



5.

