

Hobbe.

ASSEMBLY INSTRUCTIONS BORDEAUX STYLE OTTOMAN

IMPORTANT: READ THESE INSTRUCTIONS CAREFULLY BEFORE ATTEMPTING TO ASSEMBLE OR USE YOUR OTTOMAN.

PLEASE KEEP THESE INSTRUCTIONS FOR FUTURE REFERENCE

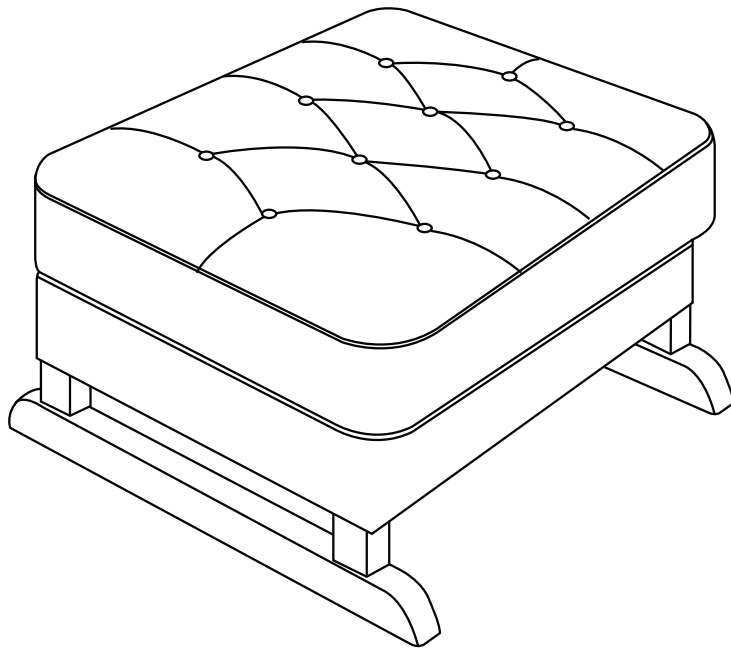
HEALTH & SAFETY:

DO NOT jump on this ottoman
DO NOT use this ottoman if any parts are missing, damaged or worn
DO NOT use this ottoman unless all fixings are tightly secured
Always use on a level, even surface

CARE & MAINTENANCE:

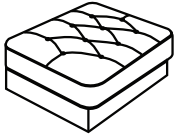
Periodically check all screws & fixings to ensure they are tightly secured
DO NOT push the ottoman as this will damage the legs.
Always lift the ottoman with 2 people whenever you need
to change the ottoman position
Keep any sharp objects away from the ottoman

NECESSARY TOOLS



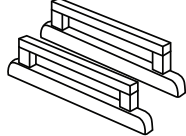
PART LIST

A.



Ottoman x 1

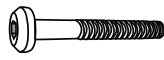
B.



Wooden Legs x 2

HARDWARE

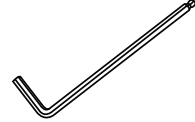
A.



M6 x 40mm x 4pcs

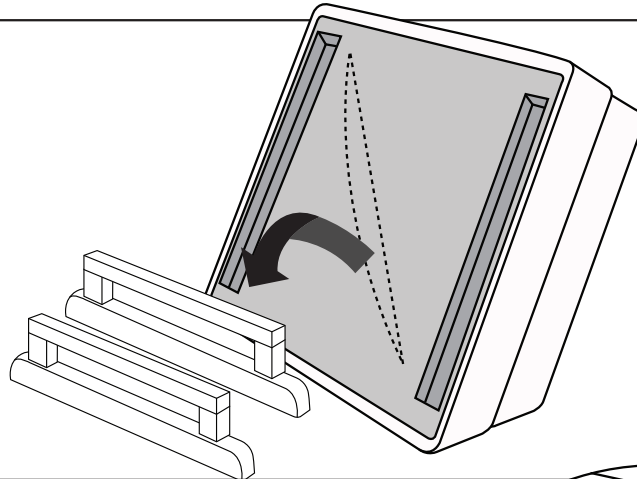


Washer M6 x 4pcs

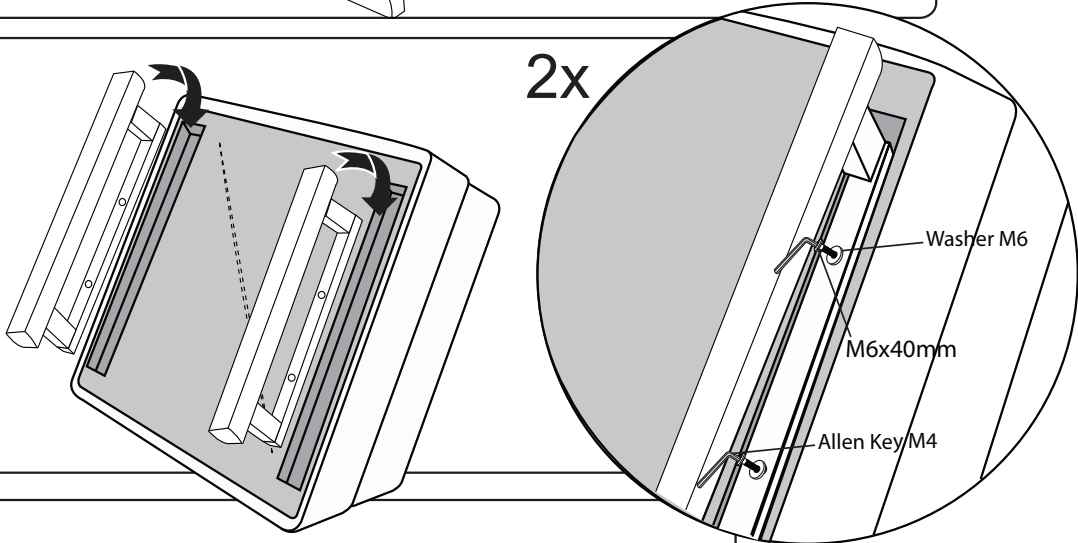


Allen Key M4 x 1

1.



2.



2.

