



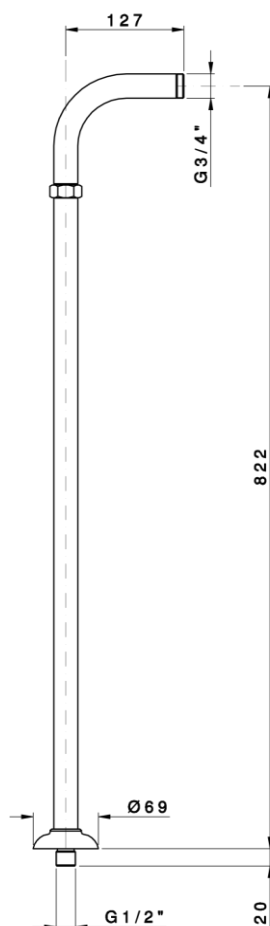
OFFICINA
NICOLAZZI
DAL 1960



**Couple of fixed vertical connection
standpipes for external bathtub**

Art: Z5574

Specifications



- Handmade in Italy since 1960
- 1/4 Turn valves handmade at Nicolazzi Factory
- Lead Free Brass Compliant to AZ/NZS 3718
- Suitable even and uneven pressure
- Handles are interchangeable



WM22315
AS/NZS3662

Canterbury Sink & Tap Co.

Max/Min Operating
Pressure: 100/500kPa

OFFICINA
NICOLAZZI
DAL 1960

Important Notice Model : Z5574

CAREFULLY READ THROUGH THESE INSTRUCTIONS BEFORE INSTALLATION AND USE OF ALL TAP WARE AND WALL VALVES

INSTALLATION and WARRANTY INSTRUCTIONS

TECHNICAL INFORMATION

All tapware washers and O-rings are designed and manufactured for use with water. Do not expose to household cleaners, chlorine, chloride, hydrochloric acid or other corrosive chemicals.

Our tap ware is designed for use with the temperatures and pressures listed below:

- minimum cold water supply 10 °C
- maximum hot water supply 62 °C
- minimum pressure 100 kPa
- maximum pressure 500 kPa
- maximum fixing torque value = 13.6 Nm

Please note: The recommended pressure for best performance is between 270 kPa and 420 kPa. More pressure than 420 kPa or less pressure than 270 kPa may affect the diverting action inside fitted spray tapware.

Do not use any Nicolazzi tap ware with sulphurous water.

The minimum temperature for all tap ware is 10 degrees Celsius. Below 10 degrees Celsius will void the warranty.

When available, filter systems must be placed between hot and cold supply lines and the tapware. Improper use or non-use of filters may make fitted diverting tapware with hand sprays perform poorly.

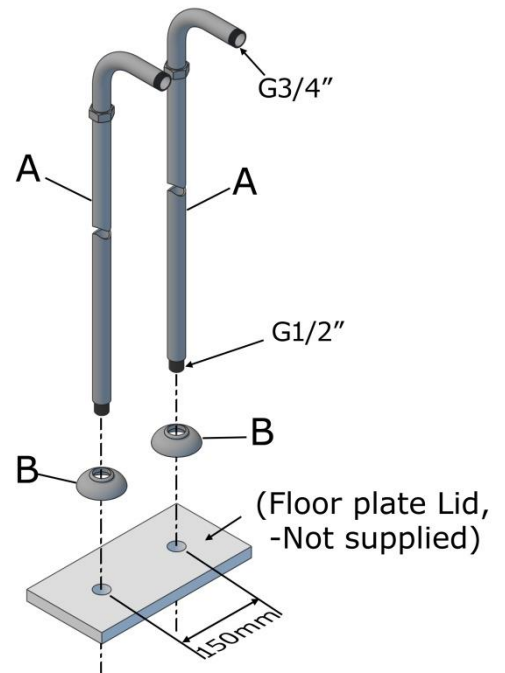
Don't modify the tap ware and their components.

Use only original spare parts if there are replacements to be ordered. Installation must be made by authorized plumbers or installers. Improper installation or diagnosis of problems is not covered by the warranty. Yearly maintenance of cleaning and flushing is recommended.

Operation and use of any tap ware or wall valve that do not conform to these technical instructions will void the warranty.

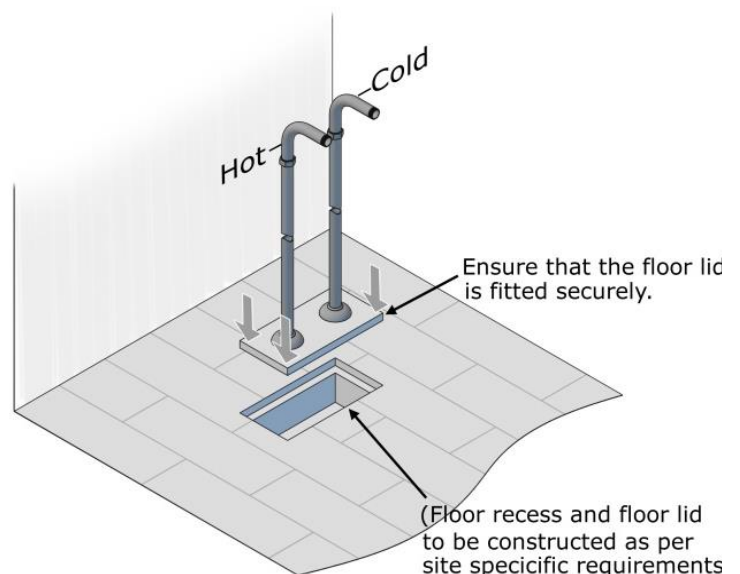
Installation Instructions Model : Z5574

- 1
 - Ensure that the holes in the floor plate lid (Floor plate lid not supplied), are spaced at **150mm** centre to centre.
 - Feed the cover plates **B**, over the standpipe lower end sections, **A**.
 - Then feed the lower ends of the standpipes through the floor plate lid, ensuring that sufficient thread protrudes through floor plate lid for the water connection.
 - The bottom end thread is **G1/2"** thread.
 - The top end thread is **G3/4"** thread.



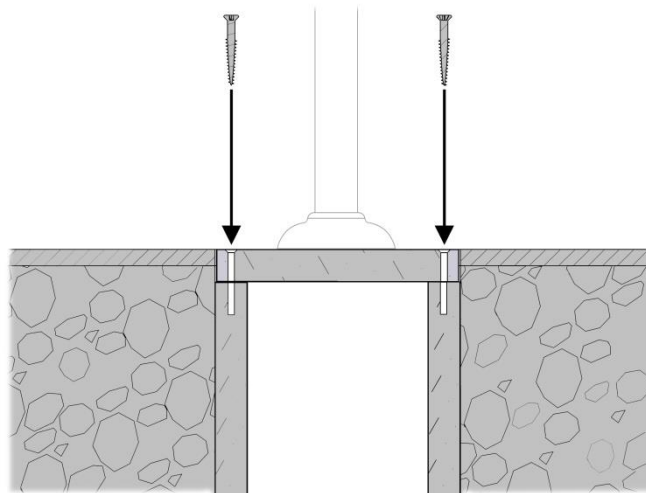
- 2
 - Place the “**Hot**” water standpipe on the left side, with the “**Cold**” water standpipe on the right.
 - Ensure that the floor plate lid is securely fitted onto the floor recess and is correctly levelled to the finished floor level.

NOTE: The floor trap or recess is a requirement and should be designed and constructed as per site specific requirements and conditions.



Installation Instructions Model : Z5574

- 3
- Once all water connection are completed, ensure that the Floor plate lid is securely fitted in position.



Before use

- Once the tapware is installed and secured, turn on the Hot and Cold supplies to the tap.
- Maximum temperature for Hot water supply to the tapware is 62 °C.
- Minimum recommended pressure is 100 kPa — Maximum recommended pressure is 500 kPa.
- Check the installation carefully for leaks.
- If further building work is to be carried out in the vicinity of the tapware, it should be covered to prevent paint, adhesive, etc. from damaging the surface.

Care and Maintenance Instructions Model : Z5574

LOW FLOW OR NO FLOW TROUBLESHOOTING INSTRUCTIONS

Current bathroom taps have a max flow rate of 7 Litres per minute from the aerator and the hand spray.

If you are experiencing low flow from the spout: **Do not change the cartridge**

- On your fitted bathroom tapware, unscrew and clean the aerator/s of your shower head or spout.
- Unscrew and clean the filters inside the supply connections.
- Check the supply lines for kinks or obstructions.
- Make sure the supply line stops are fully on.

Care and Maintenance Instructions Model : Z5574

Care of external finishes

Nicolazzi products are all authentic finishes that have not been coated with any product. After each use, pat the fixture down to remove any excess water. This will prevent any water spotting or mineral build-up. Use only soft liquid soap and water to clean the surface. Use a soft brush to clean any gaps. Avoid any products that have ammonia or alcohol like Windex, Jif or Ajax. These products can damage the finish leaving black or white spots. Never use on abrasive products on tap ware or this will void the warranty.

Live Finishes DO NOT carry a warranty as they are living finishes and will change over time.

Raw Brass, Brush Brass (To make the brass lighter again rub the brass tap with lemon juice, this will lighten the dark colouring).

Shiny Brass, Polished Nickel has an ageing process and will tarnish over time.

Tuscan Brass is a living finish and also carries NO warranty. It will lighten with use. To extend the life of the finish, apply Bruno's Wax by patting it on, letting it dry and patting it off. Never rub or buff this finish.

WARNING: The use of cleaning products not recommended might irreparably harm the surfaces of the tap, which in such cases are not covered by our warranty.

Lime scale build up

The tap is fitted with an aeration device in the Hot/Cold water outlet.

This may need occasional cleaning especially in hard water areas.

This is accomplished by unscrewing the outlet in a counter clockwise direction, dismantling and leaving the inner screen mesh immersed over night in vinegar