

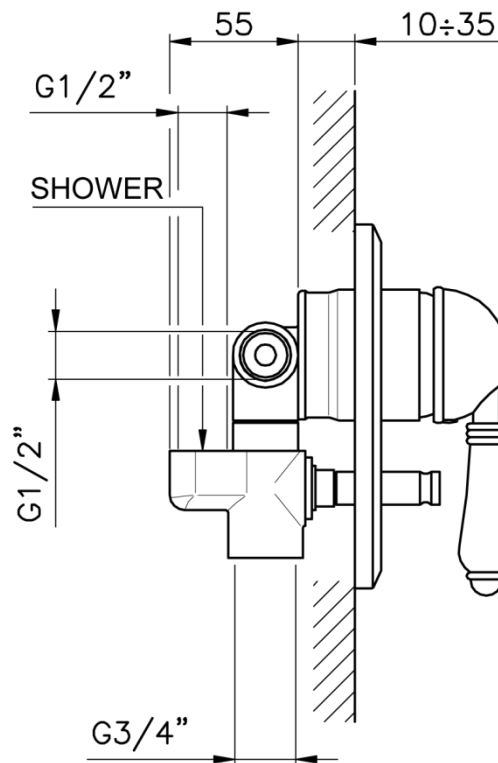
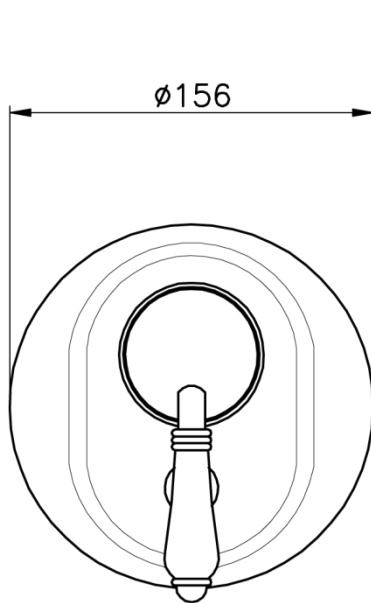


OFFICINA
NICOLAZZI
DAL 1960



Single lever concealed shower mixer with diverter & finished set
Art: Z3460

Specifications



Available replacement handles:



-75 El Capitan



-76 Mont Blanc



-76A M. Blanc Crackle



-76B M. Blanc Black



-33 Swarovski Crystal

- Handmade in Italy since 1960
- 1/4 Turn valves handmade at Nicolazzi Factory
- Lead Free Brass Compliant to AZ/NZS 3718
- Suitable for even and uneven pressure
- Handles are interchangeable



WaterMark

WM22315

AS/NZS3662

Canterbury Sink & Tap Co.

Max/Min Operating
Pressure: 100/500kPa

OFFICINA
NICOLAZZI
DAL 1960

Important Notice Model : Z3460

CAREFULLY READ THROUGH THESE INSTRUCTIONS BEFORE INSTALLATION AND USE OF ALL TAP WARE AND WALL VALVES

INSTALLATION and WARRANTY INSTRUCTIONS

TECHNICAL INFORMATION

All flexible hoses are designed and manufactured for use with water in exposed locations only. Do not expose to household cleaners, chlorine, chloride, hydrochloric acid or other corrosive chemicals.

All connections with threads M10x1 male must be hand tighten. Do not over tighten. Over tightening may cause damage to the hose.

All tap ware washers and o-rings are designed and manufactured for use with water. Do not expose to household cleaners, chlorine, chloride, hydrochloric acid or other corrosive chemicals.

Our tap ware is designed for use with the temperatures and pressures listed below:

- minimum cold water supply 10 °C
- maximum hot water supply 62 °C
- minimum pressure 100 kPa
- maximum pressure 500 kPa
- maximum fixing torque value = 13.6 Nm

Please note: The recommended pressure for best performance is between 270 kPa and 420 kPa. More pressure than 420 kPa or less pressure than 270 kPa may affect the diverting action in side spray tap ware.

Do not use any Nicolazzi tap ware with sulphurous water.

The minimum temperature for all tap ware is 10 degrees Celcius . Below 10 degrees Celcius will void the warranty.

When available, filter systems must be placed between hot and cold supply lines and the tap ware. Improper use or non-use of filters may make diverting tap ware with hand sprays perform poorly.

Don't modify the tap ware and their components.

Use only original spare parts if there are replacements to be ordered. Installation must be made by authorized plumbers or installers. Improper installation or diagnosis of problems is not covered by the warranty. Yearly maintenance of cleaning and flushing is recommended.

Operation and use of any tap ware or wall valve that do not conform to these technical instructions will void the warranty.

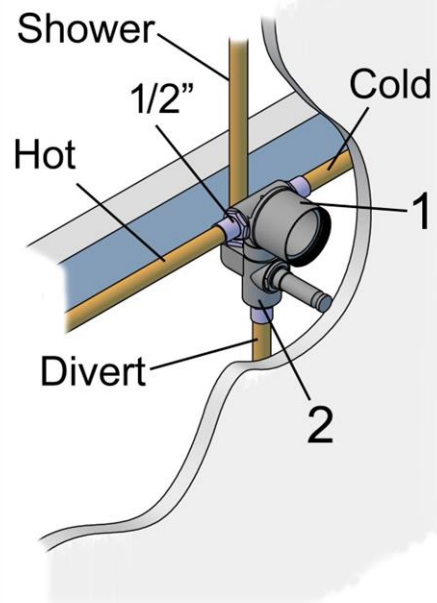
Installation Instructions Model : Z3460

Preparation

- Flush out the pipework to remove any foreign matter.
- The hot supply should be on the left when viewed from the front of the fitting.

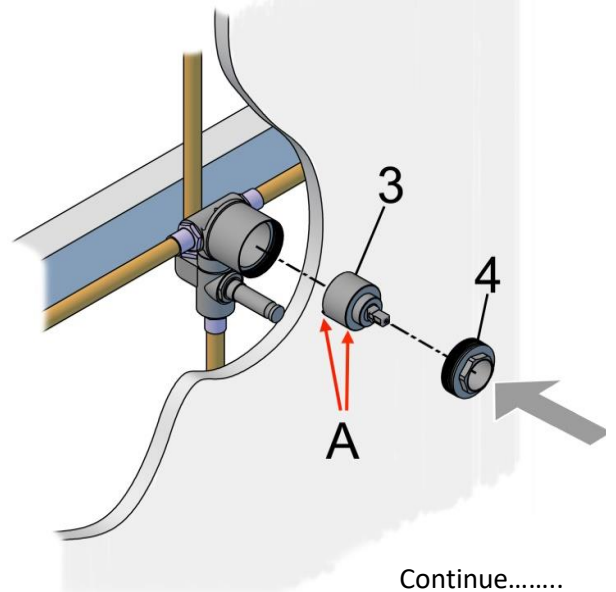
1 Assembly

- Connect the hot and cold water supply to the mixer body **1**, using 1/2" (21mm) adaptors.
- Using 1/2" adaptors, connect the shower water supply pipe and divert pipe to the diverter unit **2**.



- ## 2
- Insert the mixer cartridge **3**, into the mixer body opening, ensuring that the alignment tabs **A**, are correctly orientated to ensure proper location and fit of the cartridge.
 - Secure the mixer cartridge with the cartridge nut **4**.
 - Tighten the cartridge nut with suitable spanner or smooth jawed shifter.

NOTE: Do not over tighten the nut as this could damage the cartridge!

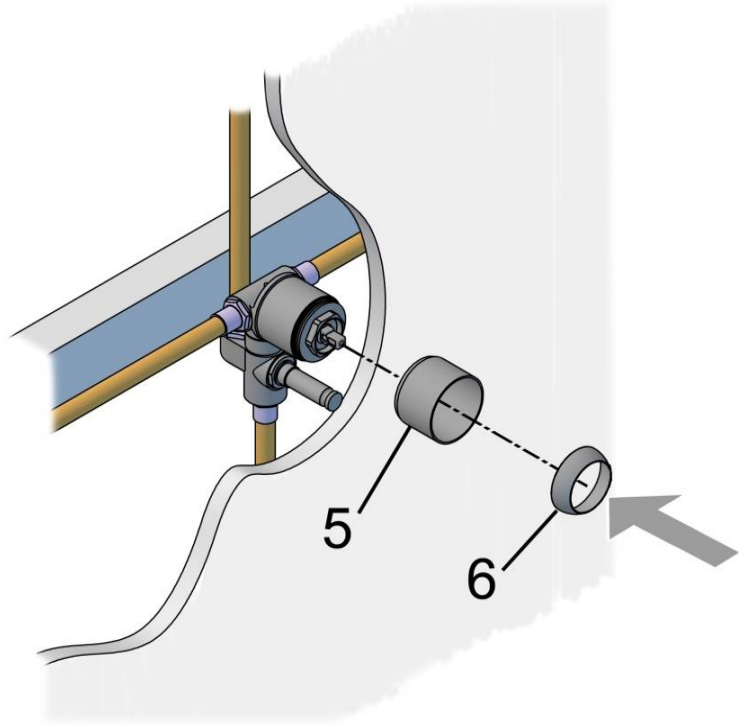


Continue.....

Installation Instructions Model : Z3460

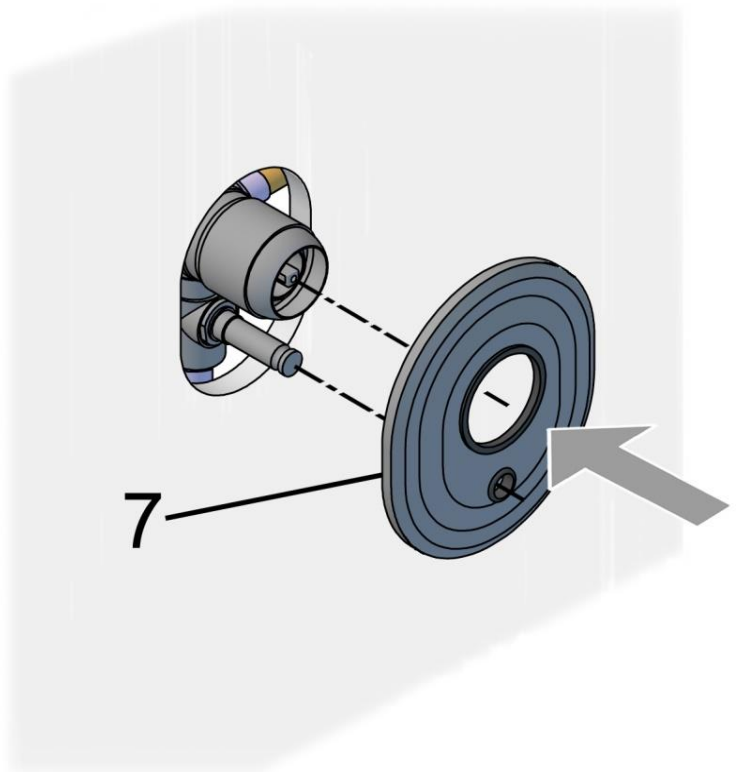
3

- Slide the cover pipe **5**, over the outer surface of the mixer body.
- Fit the nut cover ring **6**, securely in the cover pipe by pressing it down firmly into its correct seating position. The O-ring on the cartridge nut should hold the nut cover ring in position.



4

- Slide the main cover plate **7**, over the outer surface of the cover pipe, the divert knob.
- Ensure that the cover plate is positioned all the way and firmly against the finished or tiled wall surface.



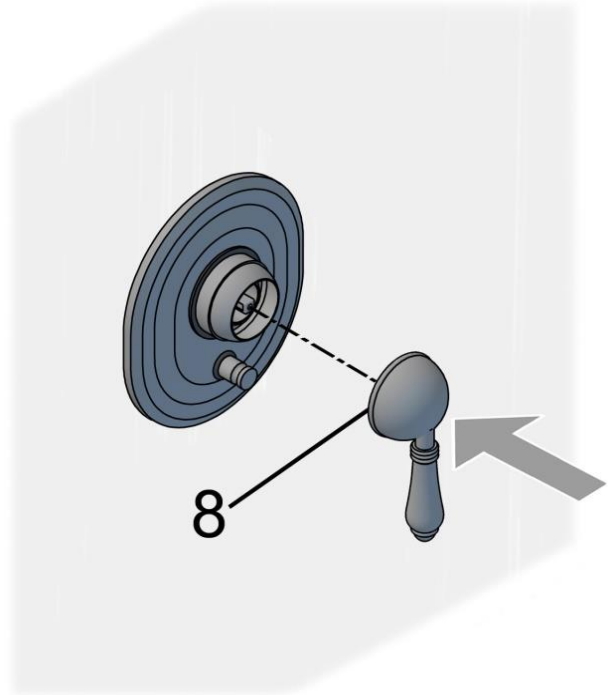
Continue.....

Installation Instructions

Model : Z3460

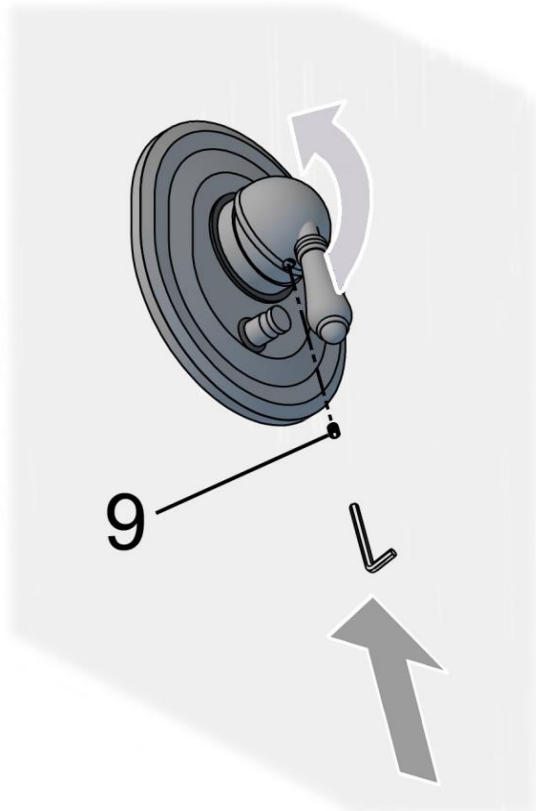
- 4
- Carefully install the dome handle **8**, onto the mixer cartridge lever.

Note: Ensure that the cartridge lever is correctly seated in the lever handle slot.



- 4
- Carefully raise the lever dome handle **8**, ensuring that the opening clears the nut cover ring and allowing access for inserting the M6 x 6 grub screw, **9**.

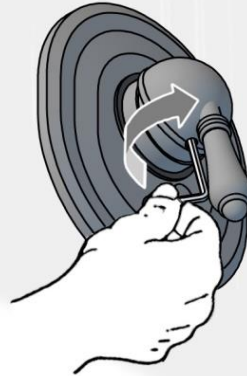
Note : Use a correctly sized hex Allen key to feed the grub screw through the access hole into position.



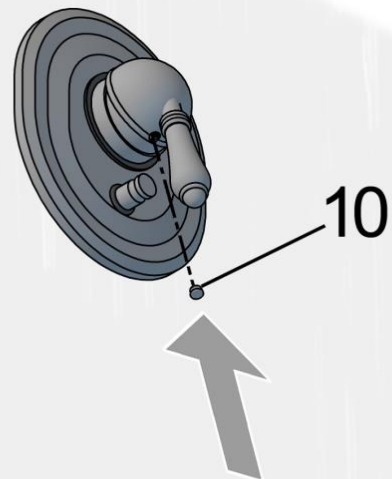
Continue.....

Installation Instructions Model : Z3460

- 3
- Using the Allen key, firmly hand tighten the grub screw and secure the dome leaver onto the mixer leaver.



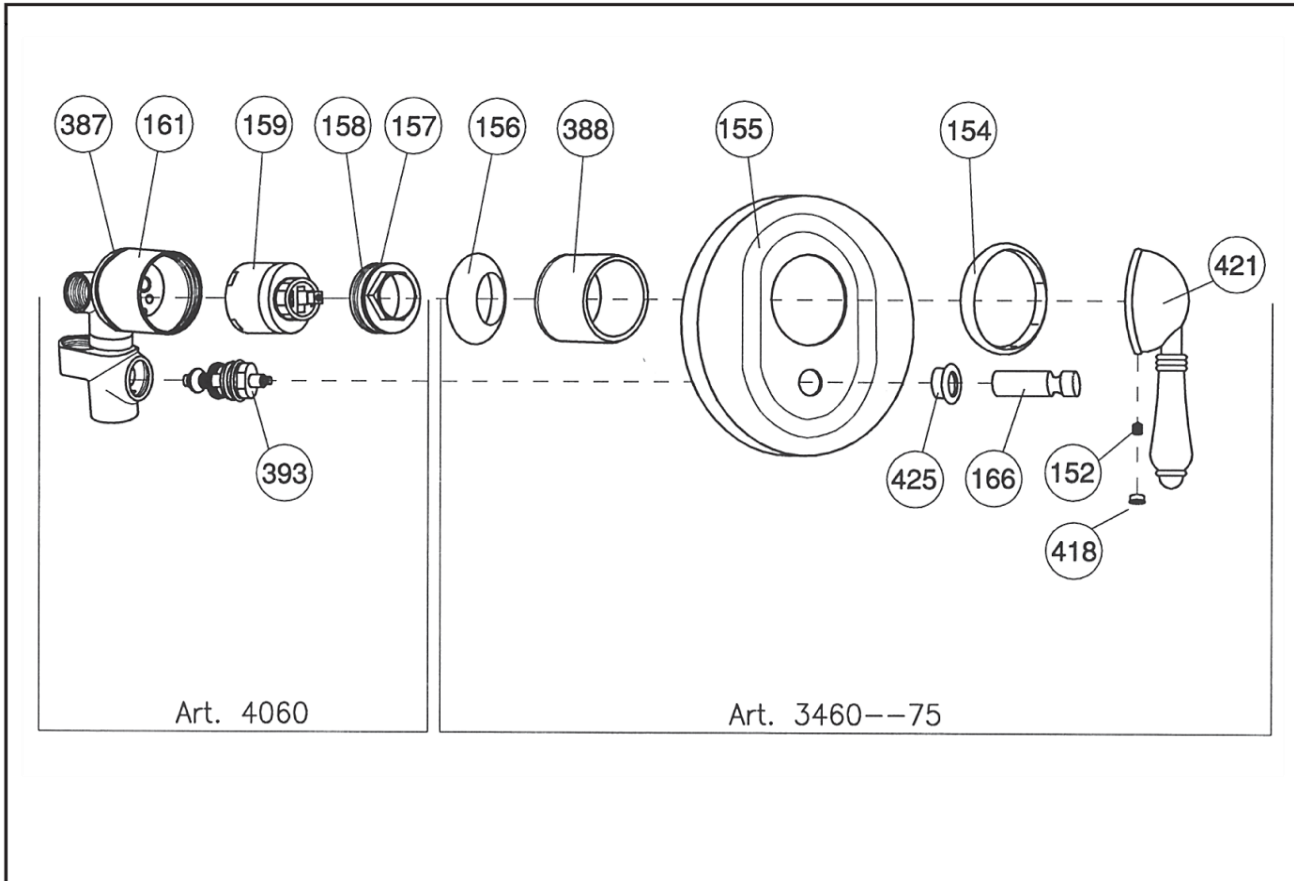
- 4
- Install the indice button **10**, into the access hole, and ensure that it is firmly pressed into position.



Before use

- Turn on the Hot and Cold supplies to the tap.
- Maximum temperature for Hot water supply to the tapware is 62 °C.
- Minimum recommended pressure is 100 kPa — Maximum recommended pressure is 500 kPa.
- Check the installation carefully for leaks.
- If further building work is to be carried out in the vicinity of the tapware, it should be covered to prevent paint, adhesive, etc. from damaging the surface.

Spare Parts list Model : Z3460



Pos.	Descrizione	Description	Cod.
152	Grano M6x6	Dowel M6x6	C 7554
154	Guarnizione monocomando incasso	Built-in single lever washer	C 7581
155	Piastra monocomando incasso	Built-in single lever plate	C 3200
156	Cappuccio coprighiera monocomando	Cover ring nut cap	C 7218
157	O-ring Ø 41x3	O-ring Ø 41x3	C 7586.88
158	Ghiera ferma cartuccia F 51x19W	Stop cartridge ring nut F 51x19W	C 7281
159	Cartuccia monocomando	Unilever cartridge	3009
161	Corpo monocomando incasso con deviatore	Single lever built-in body with diverter	C 3006/1 + C 7030
166	Pomolo deviatore automatico	Automatic diverter knob	C 7303
387	O-ring Ø 50,52x1,78	O-ring Ø 50,52x1,78	C 7586.97
388	Canotto di copertura	Cover pipe	C 4006/3
393	Deviatore senza pomolo	Diverter without knob	C 7013
418	Bottoncino rosso/blu Signal	Signal	C 7688**
421	Leva monocomando El Capitan	El Capitan lever handle	C 7675
425	Guarnizione per deviatore incasso	Washer for built-in diverter	C 7581.2

Care and Maintenance Instructions Model : Z3460

Care of external finishes

Nicolazzi products are all authentic finishes that have not been coated with any product. After each use, pat the fixture down to remove any excess water. This will prevent any water spotting or mineral build-up. Use only soft liquid soap and water to clean the surface. Use a soft brush to clean any gaps. Avoid any products that have ammonia or alcohol like Windex, Jif or Ajax. These products can damage the finish leaving black or white spots. Never use on abrasive products on tap ware or this will void the warranty.

Live Finishes DO NOT carry a warranty as they are living finishes and will change over time.

Raw Brass, Brush Brass (To make the brass lighter again rub the brass tap with lemon juice, this will lighten the dark colouring).

Shiny Brass, Polished Nickel has an ageing process and will tarnish over time.

Tuscan Brass is a living finish and also carries NO warranty. It will lighten with use. To extend the life of the finish, apply Bruno's Wax by patting it on, letting it dry and patting it off. Never rub or buff this finish.

WARNING: The use of cleaning products not recommended might irreparably harm the surfaces of the tap, which in such cases are not covered by our warranty.