



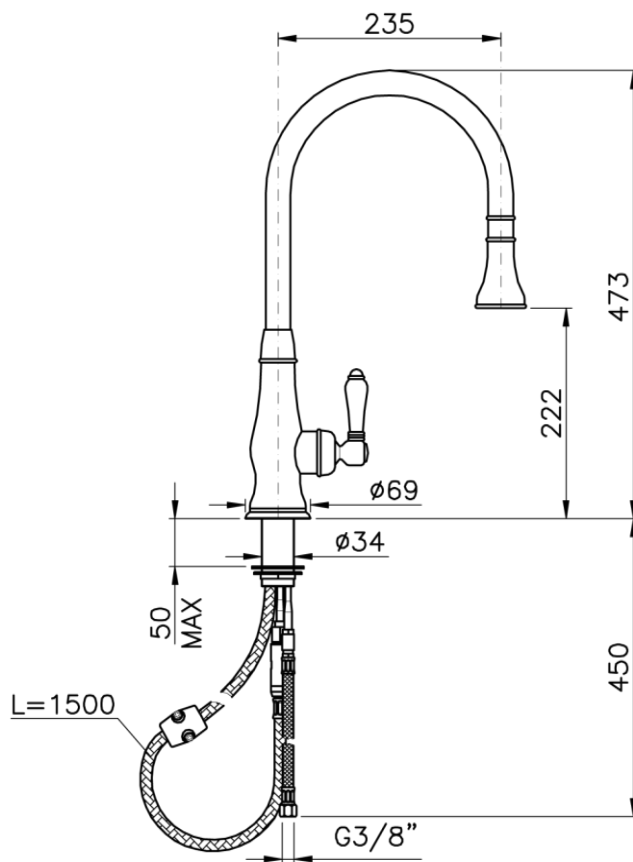
OFFICINA  
**NICOLAZZI**  
DAL 1960



Single-Hole Kitchen Sink Mixer With Pull Down Spray

Art: Z3420--K      PIEMONTE

## Specifications



### Available replacement handles:



--75P



--76P

- Handmade in Italy since 1960
- ¼ Turn valves handmade at Nicolazzi Factory
- Lead Free Brass Compliant to AZ/NZS 3718
- Suitable even and uneven pressure
- Handles are interchangeable



WaterMark

WM22315

AS/NZS3662

Canterbury Sink & Tap Co.

Max/Min Operating Pressure: 100/500kPa

OFFICINA  
**NICOLAZZI**  
DAL 1960

## Important Notice    Model : Z3420--K

---

**CAREFULLY READ THROUGH THESE INSTRUCTIONS BEFORE INSTALLATION AND USE OF ALL TAP WARE AND WALL VALVES**

### **INSTALLATION and WARRANTY INSTRUCTIONS**

#### **TECHNICAL INFORMATION**

All flexible hoses are designed and manufactured for use with water in exposed locations only. Do not expose to household cleaners, chlorine, chloride, hydrochloric acid or other corrosive chemicals.

All connections with threads M10x1 male must be hand tighten. Do not over tighten. Over tightening may cause damage to the hose.

All tap ware washers and o-rings are designed and manufactured for use with water. Do not expose to household cleaners, chlorine, chloride, hydrochloric acid or other corrosive chemicals.

Our tap ware is designed for use with the temperatures and pressures listed below:

- minimum cold water supply 10 °C
- maximum hot water supply 62 °C
- minimum pressure 100 kPa
- maximum pressure 500 kPa
- maximum fixing torque value = 13.6 Nm

Please note: The recommended pressure for best performance is between 270 kPa and 420 kPa. More pressure than 420 kPa or less pressure than 270 kPa may affect the diverting action in side spray tap ware.

Do not use any Nicolazzi tap ware with sulphurous water.

The minimum temperature for all tap ware is 10 degrees Celcius . Below 10 degrees Celcius will void the warranty.

When available, filter systems must be placed between hot and cold supply lines and the tap ware. Improper use or non-use of filters may make diverting tap ware with hand sprays perform poorly.

Don't modify the tap ware and their components.

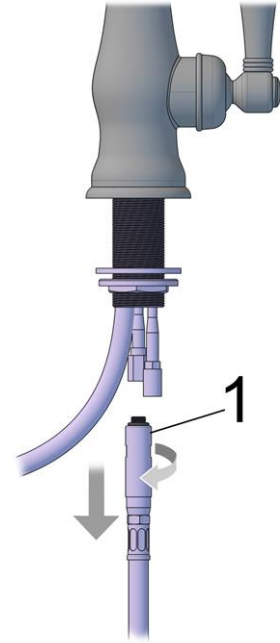
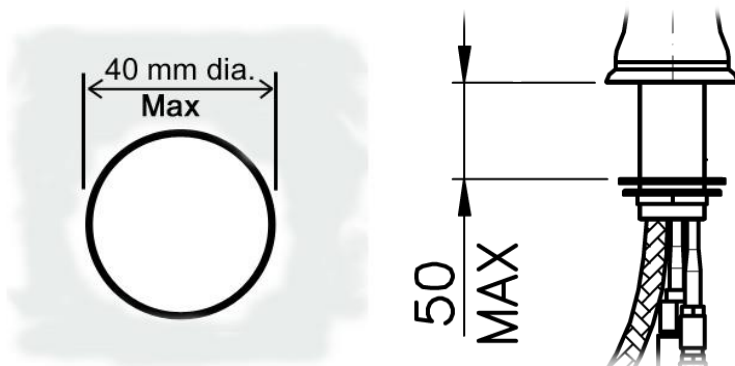
Use only original spare parts if there are replacements to be ordered. Installation must be made by authorized plumbers or installers. Improper installation or diagnosis of problems is not covered by the warranty. Yearly maintenance of cleaning and flushing is recommended.

Operation and use of any tap ware or wall valve that do not conform to these technical instructions will void the warranty.

# Installation Instructions Model : Z3420--K

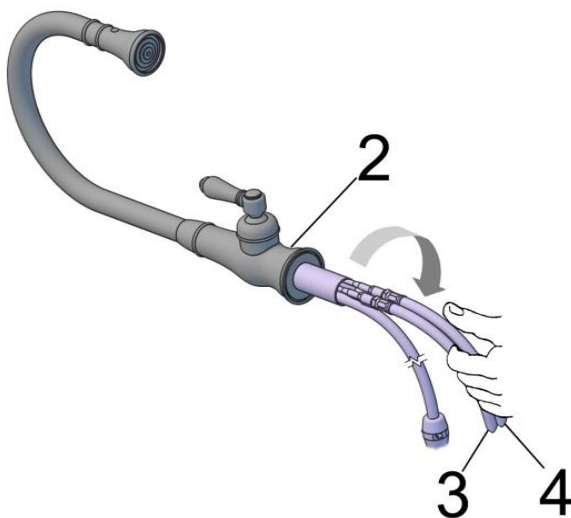
## 1 Preparation

- Flush out the pipework to remove any foreign matter.
- Before installing the tapware, carefully unscrew the check valve holder-1, and remove it from the water connection manifold.
- Tap cut out hole sizes : Maximum **40mm** diameter.
- Under side clearance : Maximum **50mm**

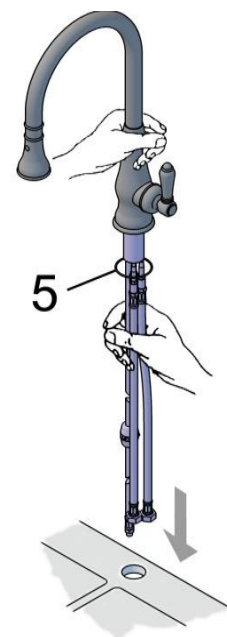


- ## 2
- Install the water supply hoses **3** and **4**, into the tap body -**2**

Note: Hand tighten only, **DO NOT** over tighten- **3** and **-4**.



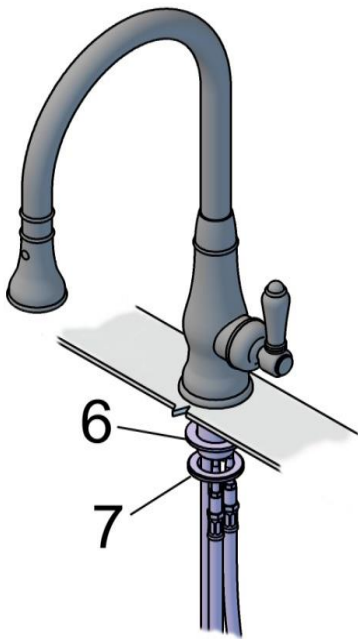
- ## 3
- Feed the O-ring -**5**, over the water supply hoses.
  - Then, feed the flexi hoses carefully through the hole ensuring that they are not bent or kinked, as this could result in permanent damage or leakage.



Continue.....

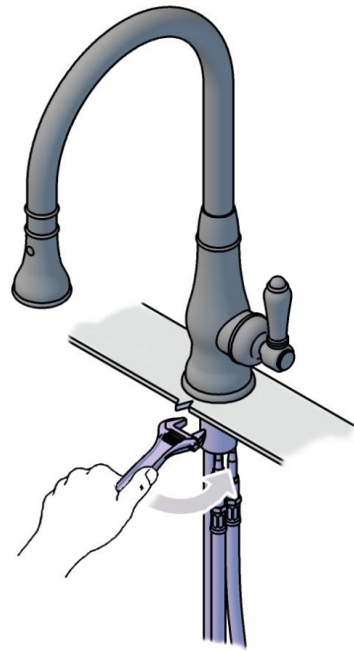
## Installation Instructions      Model : Z3420--K

- 4
- Under the sink, feed the flexi hoses through the rubber gasket -6, followed by the mounting nut -7. Then stack rubber gasket -6, above the mounting nut, and feed them onto the tap thread. Screw the mounting nut until the rubber gasket mates up with the underside of the sink.

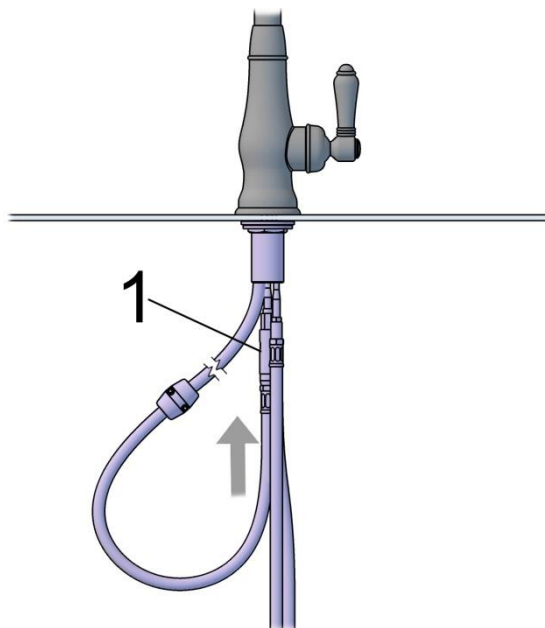


- 5
- Check the position of the tap on the sink, then tighten the nut using a smooth jawed wrench.

**Note:** the under deck mounting surface must be flat. If the mounting surface is irregular, the nut may not be secured, and the tap will be loose on the sink.



- 6
- Final step is to reconnect the check valve holder -1, to the water connection manifold. This step re-establishes the flexi hose connection to the pull down nozzle.
  - Ensure that the flexi hose has free space to move, and does not bind or hook on any objects.
  - Ensure that there are no kinks in the flexi hose, and check that all connections are secure.



## Installation Instructions    Model : Z3420--K

- 7
- Connect the supply lines to the hot and cold supplies securely.

### Before use

- Turn on the water for the hot and cold.

Please note: make sure the rubber washers with the screens are used. These screens will prevent debris from entering the diverter.

- Check the nozzle spray action by operating the nozzle spray button.

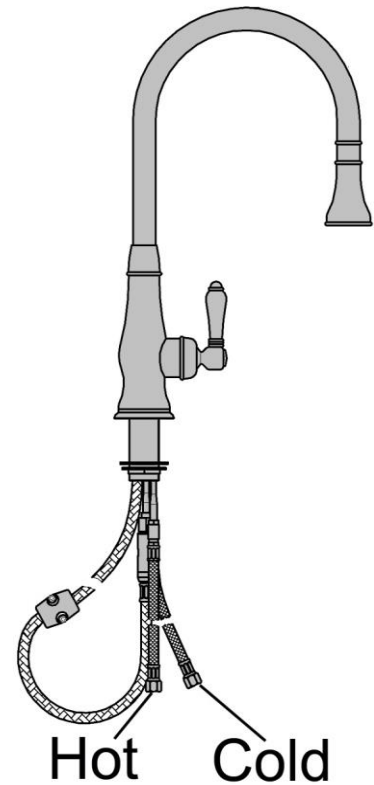
### **How to use the Nozzle Spray for the first time.**

#### **IMPORTANT**

1. Turn the tap on at half strength.
2. Press the hand spray SLOWLY to engage the hand spray.

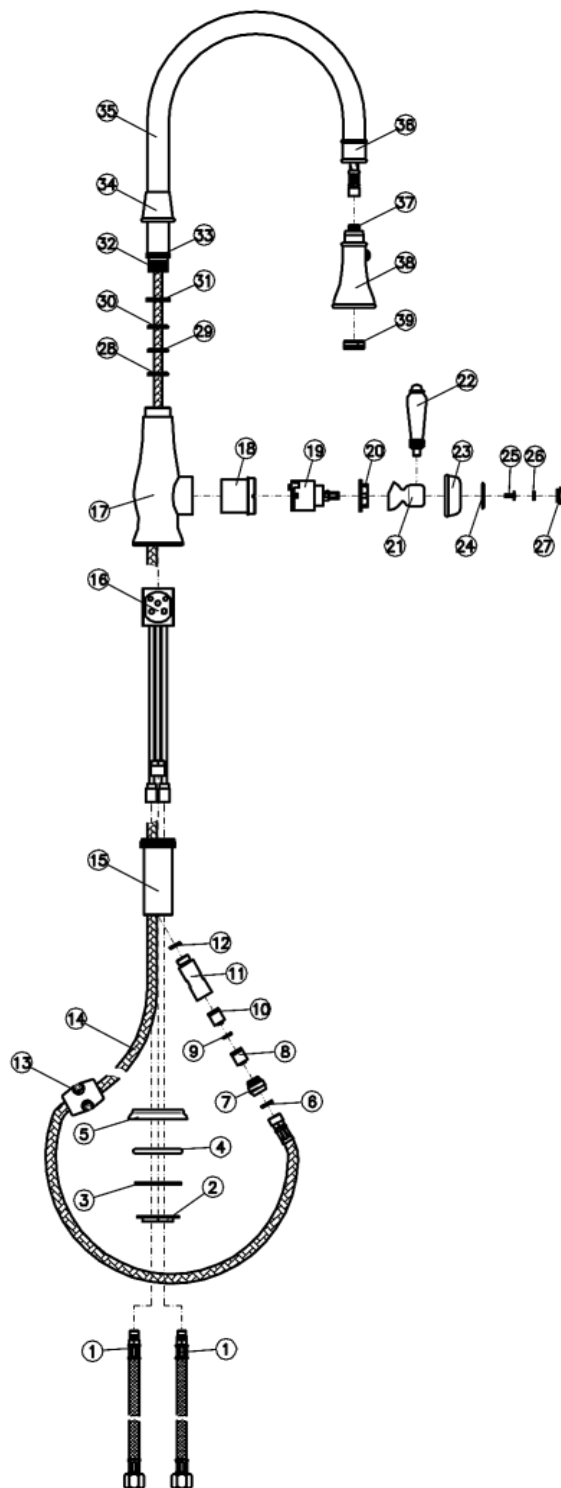
This will engage the Nozzle spray for the first time for smooth operation.

- Maximum temperature for Hot water supply to the tapware is 62 °C.
- Minimum recommended pressure is 100 kPa — Maximum recommended pressure is 500 kPa.
- Check the installation carefully for leaks.
- If further building work is to be carried out in the vicinity of the tapware, it should be covered to prevent paint, adhesive, etc. from damaging the surface.



# Spare Parts list Model : Z3420--K

39	Aerator	40.1055.000 NEOPERL	CW614N UNI EN12164 + PLASTIC + RUBBER
38	Shower	9020MD750111F9003410 AMFAG (A-832)	CW578-CQ243 UNI EN1 3194 PLASTIC + RUBBER + STAINLESS STEEL
37	Connector		CW617N UNI EN12165
36	Shower connector		CW614N UNI EN12164 + PLASTIC + RUBBER
35	Spout		CW508L UNI EN12449
34	Spout connector		CW614N UNI EN12164 + NBR 70
33	Ring		NYLON
32	Connector		CW614N UNI EN12164
31	Ring		NYLON
30	O-Ring		NBR70
29	O-Ring		NBR70
28	O-Ring		NBR70
27	Plate		CW614N UNI EN12164
26	O-Ring		NBR90
25	Screw		CW614N UNI EN12164
24	O-Ring		NBR70
23	Cover		CW614N UNI EN12164
22	Handle		CW614N UNI EN12164 + STAINLESS STEEL
21	Body handle		CW614N UNI EN12164
20	Stop cartridge ring nut		CW614N UNI EN12164
19	Cartridge		PLASTIC + CERAMIC
18	Body connector		CW614N UNI EN12164
17	Body	0.35-11000 HYDROPLAST	CW614N UNI EN12164
16	Dowel	C3420/2SL	GW11-C3420/2SL UNI EN 1739 + GW12 UNI EN 12164 + GW14 UNI EN 12164 + GW16 UNI EN 12164 + GW18 UNI EN 12164
15	Shank		CW614N UNI EN12164
14	Nylon flexible hose	P6K F.O.R.	CW617N UNI EN12165 + NYLON + RUBBER
13	Counterweight		LEAD
12	Washer		EPDM
11	Check valve holder		CW510L-CQ2H2 UNI EN 12164
10	Check valve	31.4154.0 NEOPERL	PLASTIC
9	O-Ring		N70 60 003 197
8	Check valve	31.4154.0 NEOPERL	PLASTIC
7	Check valve holder		CW510L-CQ2H2 UNI EN 12164 + N70 60 003 197
6	Washer		EPDM
5	Cap		CW617N UNI EN12165
4	O-Ring		NBR70
3	Washer		RUBBER
2	Lock nut		CW617N UNI EN12165
1	Stainless steel flexible hose	DN90 F.O.R.	STAINLESS STEEL + RUBBER



## Care and Maintenance Instructions Model : Z3420--K

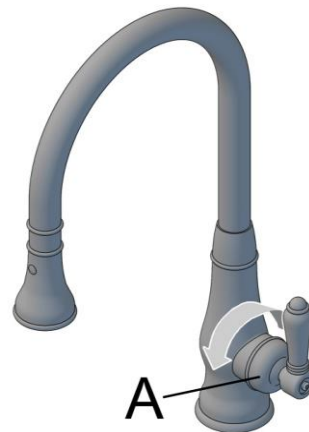
### Removing and replacing a handle

MODEL SHOWN : Z3420

- 1 ▪ Using a box cutter or similar sharp edged tool, carefully remove the indice button.



- 2 ▪ Hand loosen the retaining flange A .



- 3 ▪ Unscrew the retaining screw with a Phillips head screw driver.



- 4 ▪ Once the retaining screw is loose, simply remove the handle and retaining flange.



- 5 ▪ To reassemble, reverse the disassembly procedure, given above.  
▪ The retaining flange only needs to be hand tight. Over tightening could damage the ceramic cartridge!

**NOTE:-DO NOT USE A SHIFTER TIGHTEN BY HAND ONLY !**

**NOTE:** At any time, should the handle feel loose, retighten the retaining flange and retaining screw.

Available replacement handles:

--75P

--76P

See our video: <https://youtu.be/mpdiKSEoznY>

# Care and Maintenance Instructions Model : Z3420--K

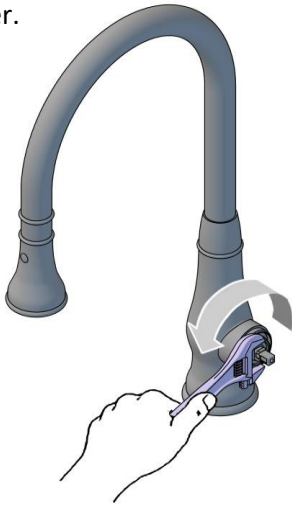
## MAINTENANCE FOR SINGLE HOLE/ADORE SINGLE LEVER TAP WARE WITH ONE LEVER DESIGN

### INSTRUCTIONS FOR REPLACEMENT OF THE C3009 CARTRIDGE

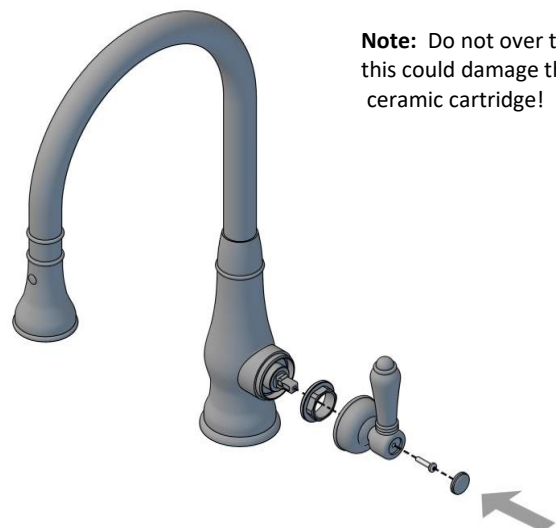
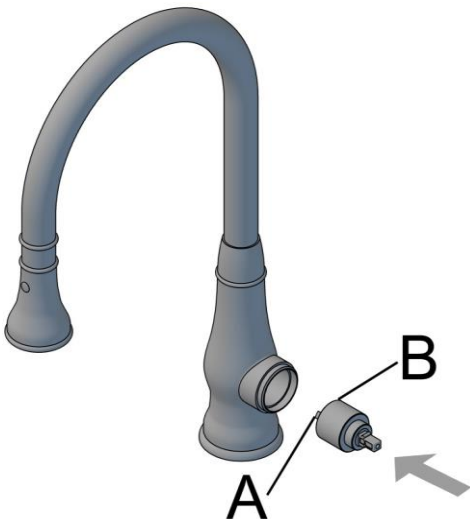
See also:- <https://youtu.be/mpdiKSEoznY>

Do not replace the cartridge if there is low flow or no flow. Low flow or no flow is caused by obstruction or kinking of supply hoses.

- 1
  - Turn off the hot and cold supply lines to the tap. (Not shown).
  - Remove handle as per **Removing/ Replacing handle** directions.
  - Remove the cartridge nut with a 27mm socket set or shifter.
- 2
  - Once the cartridge nut is loose; simply remove the cartridge by pulling it from cartridge seating position.



- 3
  - Install new cartridge.
  - Ensure that the cartridge is correctly located by inserting the alignment tabs **A** and **B**, into the alignment slots.
- 4
  - To reinstall simply reverses the above procedure.
  - Install the handle, retaining flange and retaining screw. **DO NOT USE A SHIFTER TIGHTEN BY HAND ONLY!**
  - Turn on supply line and test for leaks. (Not shown).



**Note:** Do not over tighten as this could damage the ceramic cartridge!



## Care and Maintenance Instructions Model : Z3420--K

### LOW FLOW OR NO FLOW TROUBLESHOOTING INSTRUCTIONS

Current kitchen taps have a max flow rate of 7 Litres per minute from the aerator and the hand spray.

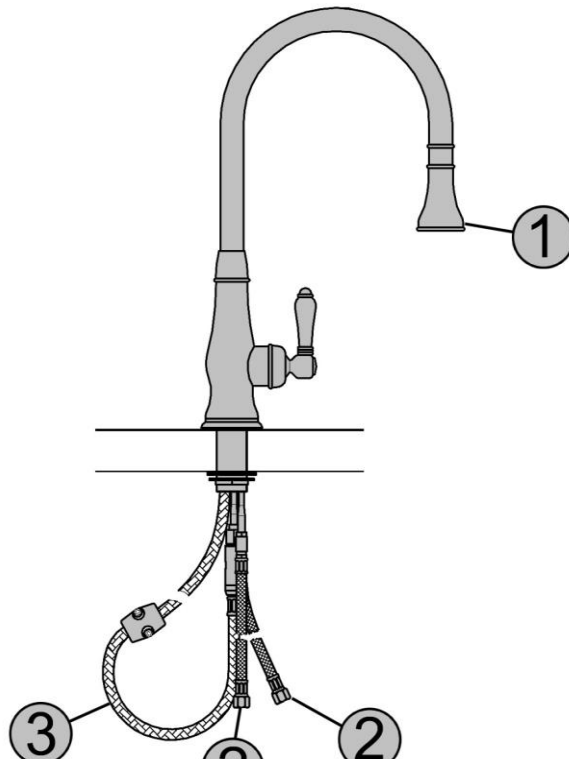
If you are experiencing low flow from the spout: **Do not change the cartridge**

Unscrew and clean the aerator -1

Unscrew and clean the filters inside the supply connections- 2

Check the supply lines for kinks or obstructions-2 and -3

Make sure the supply line stops are fully on. Not shown



## Care and Maintenance Instructions Model : Z3420--K

---

### Care of external finishes

Nicolazzi products are all authentic finishes that have not been coated with any product. After each use, pat the fixture down to remove any excess water. This will prevent any water spotting or mineral build-up. Use only soft liquid soap and water to clean the surface. Use a soft brush to clean any gaps. Avoid any products that have ammonia or alcohol like Windex, Jif or Ajax. These products can damage the finish leaving black or white spots. Never use on abrasive products on tap ware or this will void the warranty.

Live Finishes DO NOT carry a warranty as they are living finishes and will change over time.

Raw Brass, Brush Brass ( To make the brass lighter again rub the brass tap with lemon juice, this will lighten the dark colouring).

Shiny Brass, Polished Nickel has an ageing process and will tarnish over time.

Tuscan Brass is a living finish and also carries NO warranty. It will lighten with use. To extend the life of the finish, apply Bruno's Wax by patting it on, letting it dry and patting it off. Never rub or buff this finish.

**WARNING:** The use of cleaning products not recommended might irreparably harm the surfaces of the tap, which in such cases are not covered by our warranty.

### Lime scale build up

The tap is fitted with an aeration device in the Hot/Cold water outlet.

This may need occasional cleaning especially in hard water areas.

This is accomplished by unscrewing the outlet in a counter clockwise direction, dismantling and leaving the inner screen mesh immersed over night in vinegar