

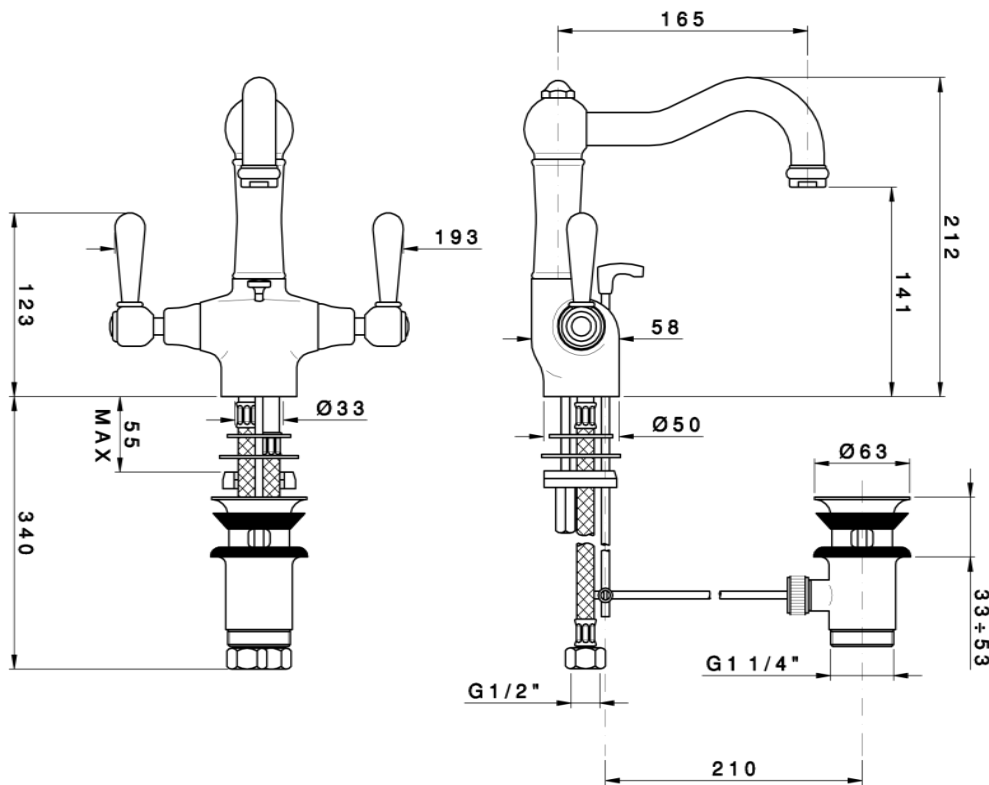


OFFICINA
NICOLAZZI
DAL 1960



Classic Prov Swiv Basin Twinner Lever Handle
Art: Z2632

Specifications



Available replacement
handles:



MAC KINLEY

- Handmade in Italy since 1960
- 1/4 Turn valves handmade at Nicolazzi Factory
- Lead Free Brass Compliant to AZ/NZS 3718
- Suitable even and uneven pressure
- Handles are interchangeable



WaterMark

WM22315

AS/NZS3662

Canterbury Sink & Tap Co.

Max/Min Operating
Pressure: 100/500kPa

OFFICINA
NICOLAZZI
DAL 1960

Important Notice Model : Z2632

CAREFULLY READ THROUGH THESE INSTRUCTIONS BEFORE INSTALLATION AND USE OF ALL TAP WARE AND WALL VALVES

INSTALLATION and WARRANTY INSTRUCTIONS

TECHNICAL INFORMATION

All flexible hoses are designed and manufactured for use with water in exposed locations only. Do not expose to household cleaners, chlorine, chloride, hydrochloric acid or other corrosive chemicals.

All connections with threads M10x1 male must be hand tighten. Do not over tighten. Over tightening may cause damage to the hose.

All tap ware washers and o-rings are designed and manufactured for use with water. Do not expose to household cleaners, chlorine, chloride, hydrochloric acid or other corrosive chemicals.

Our tap ware is designed for use with the temperatures and pressures listed below:

- minimum cold water supply 10 °C
- maximum hot water supply 62 °C
- minimum pressure 100 kPa
- maximum pressure 500 kPa
- maximum fixing torque value = 13.6 Nm

Please note: The recommended pressure for best performance is between 270 kPa and 420 kPa. More pressure than 420 kPa or less pressure than 270 kPa may affect the diverting action in side spray tap ware.

Do not use any Nicolazzi tap ware with sulphurous water.

The minimum temperature for all tap ware is 10 degrees Celsius . Below 10 degrees Celsius will void the warranty.

When available, filter systems must be placed between hot and cold supply lines and the tap ware. Improper use or non-use of filters may make diverting tap ware with hand sprays perform poorly.

Don't modify the tap ware and their components.

Use only original spare parts if there are replacements to be ordered. Installation must be made by authorized plumbers or installers. Improper installation or diagnosis of problems is not covered by the warranty. Yearly maintenance of cleaning and flushing is recommended.

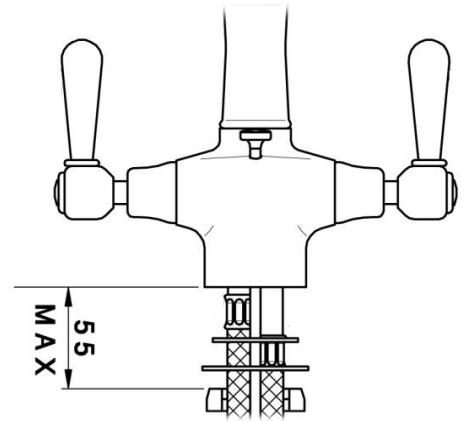
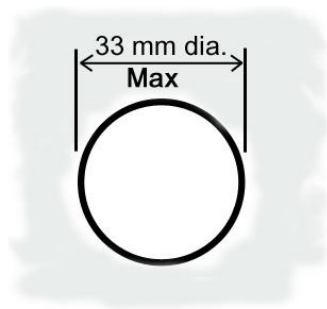
Operation and use of any tap ware or wall valve that do not conform to these technical instructions will void the warranty.

Installation Instructions Model : Z2632

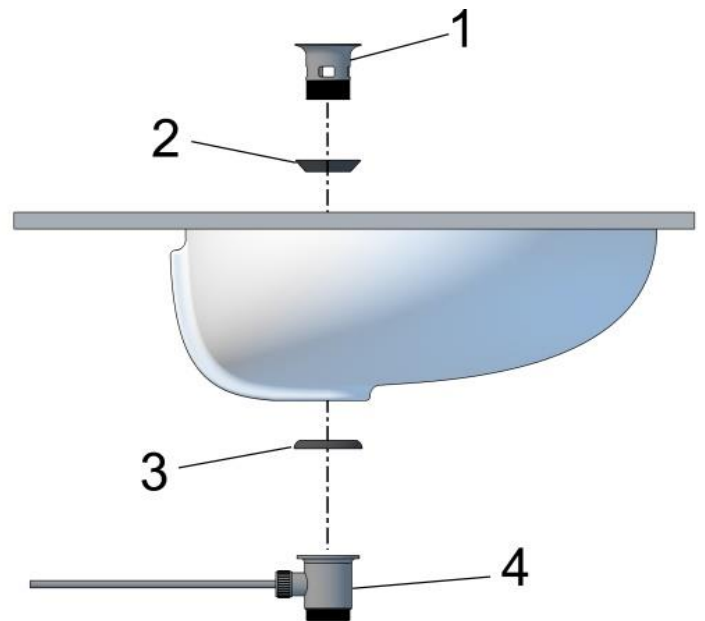
1 Preparation

Tap body

- Flush out the pipework to remove any foreign matter.
- Tap body cut out hole sizes : Maximum **33mm** diameter.
- Under side clearance : Maximum **55mm**



- ## 2
- Install the pop-up waste body top section **1**, and waste body bottom section **4**, to the basin as shown.
 - Ensure that the top seal **2**, and bottom seal **3**, are installed correctly, to ensure proper functioning of the pop-up waste system and prevent any water leakage.



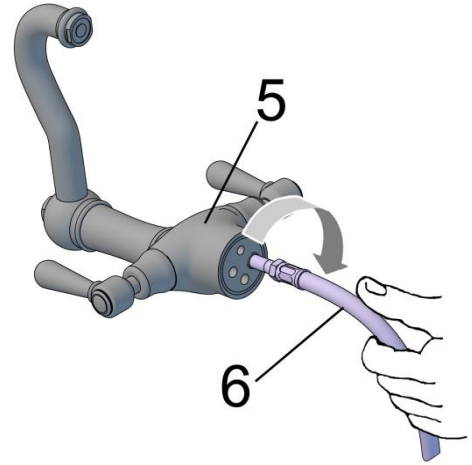
Continue.....

Installation Instructions

Model : Z2632

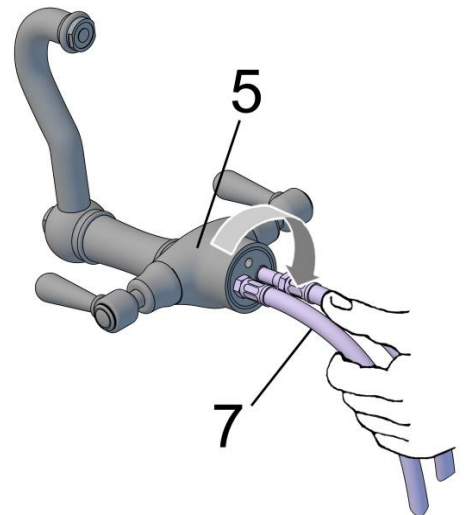
- 1 ▪ Install the water supply hose **6**, into tap the body **5**.

- Note: Hand tighten only, **DO NOT** over tighten- **6!**



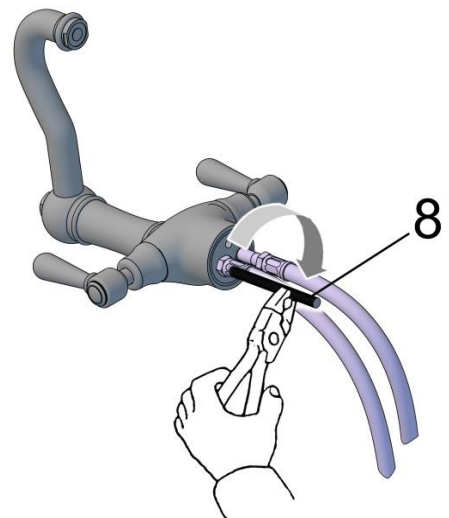
- 2 ▪ Install the second water supply hose **7**, on to tap body **5**.

- Note: Hand tighten the supply hose only, **DO NOT** over tighten- **7!**



- 3 ▪ Install the supplied mounting stud **8**, and verify that it is securely installed.

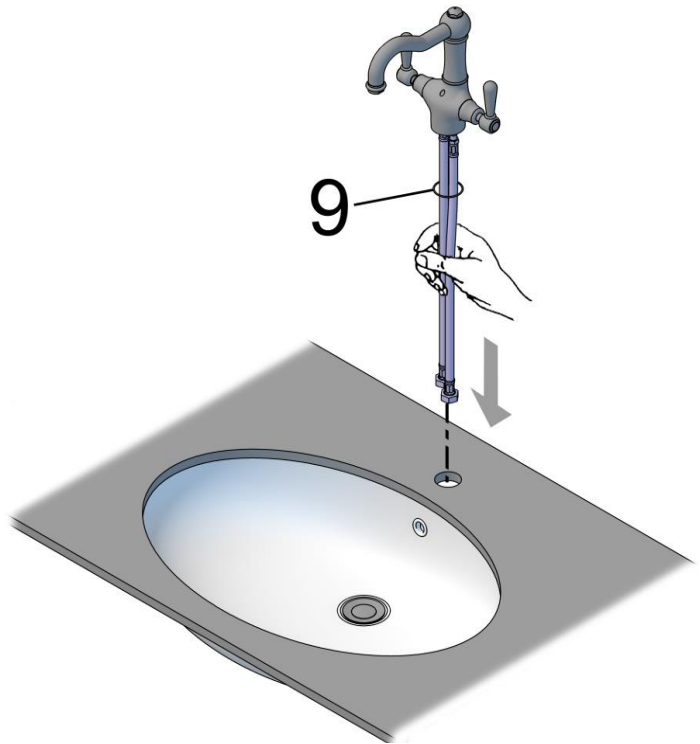
- Note: Hand tighten the supply hose only, **DO NOT** over tighten- **8!**



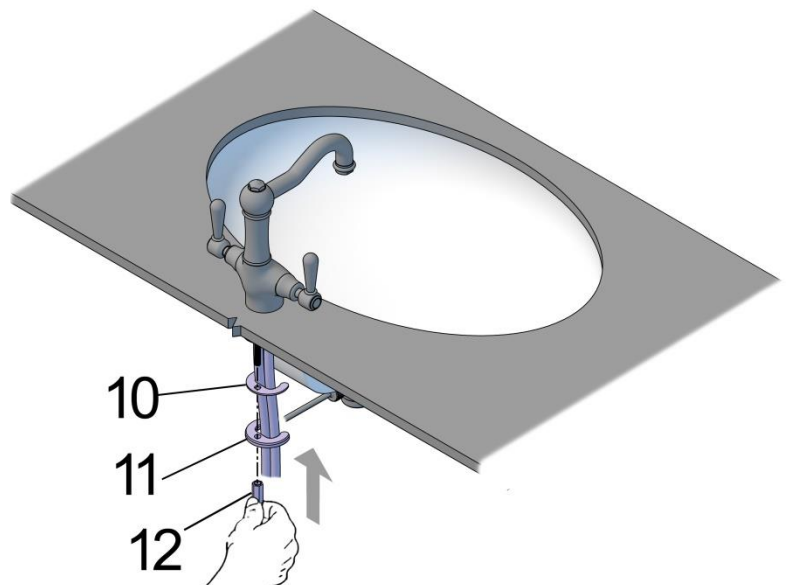
Continue.....

Installation Instructions Model : Z2632

- 4
- Feed the O-ring **9**, over the water supply hoses.
 - **Note:** Feed the water supply hoses through the cut out hole, ensuring that they are not bent or kinked, as this could result in permanent damage or leakage. Locate the tap over the mounting hole carefully.



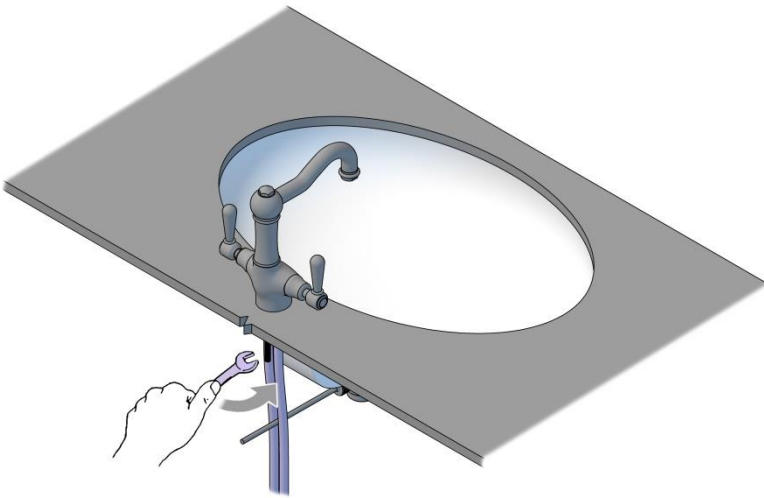
- 5
- Under the counter top, stack the supplied half ring rubber gasket **10**, above the half ring mounting plate **11**, and feed them onto the stud. Then screw the mounting nut **12**, onto the stud. Screw the mounting stud until the half ring rubber mates up with the underside of the top.



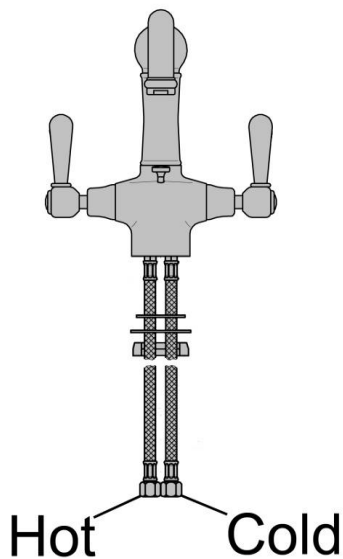
Continue.....

Installation Instructions Model : Z2632

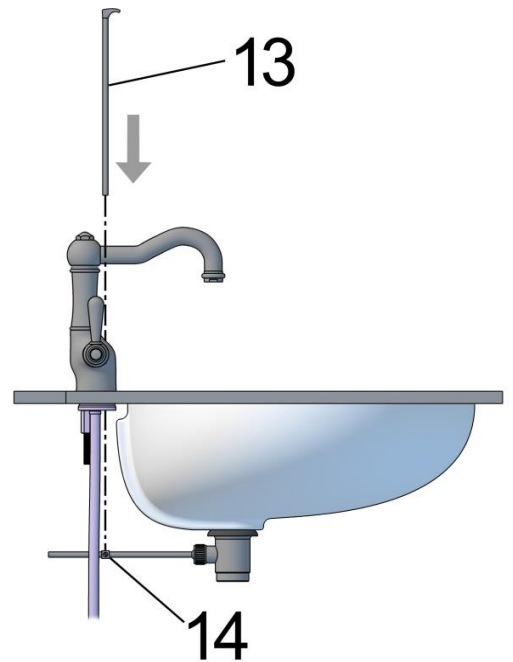
- 6
- Check the position of the tap on the counter top, and then tighten the nut using a 13mm spanner or smooth jawed shifter.
 - Note:** The under counter mounting surface must be flat. If the mounting surface is irregular, the nut may not be secured, and the tap will be loose on the sink.



- 8
- Connect hot and cold water supplies to the flexi tail hoses.
 - Ensure all connections are firmly tightened.



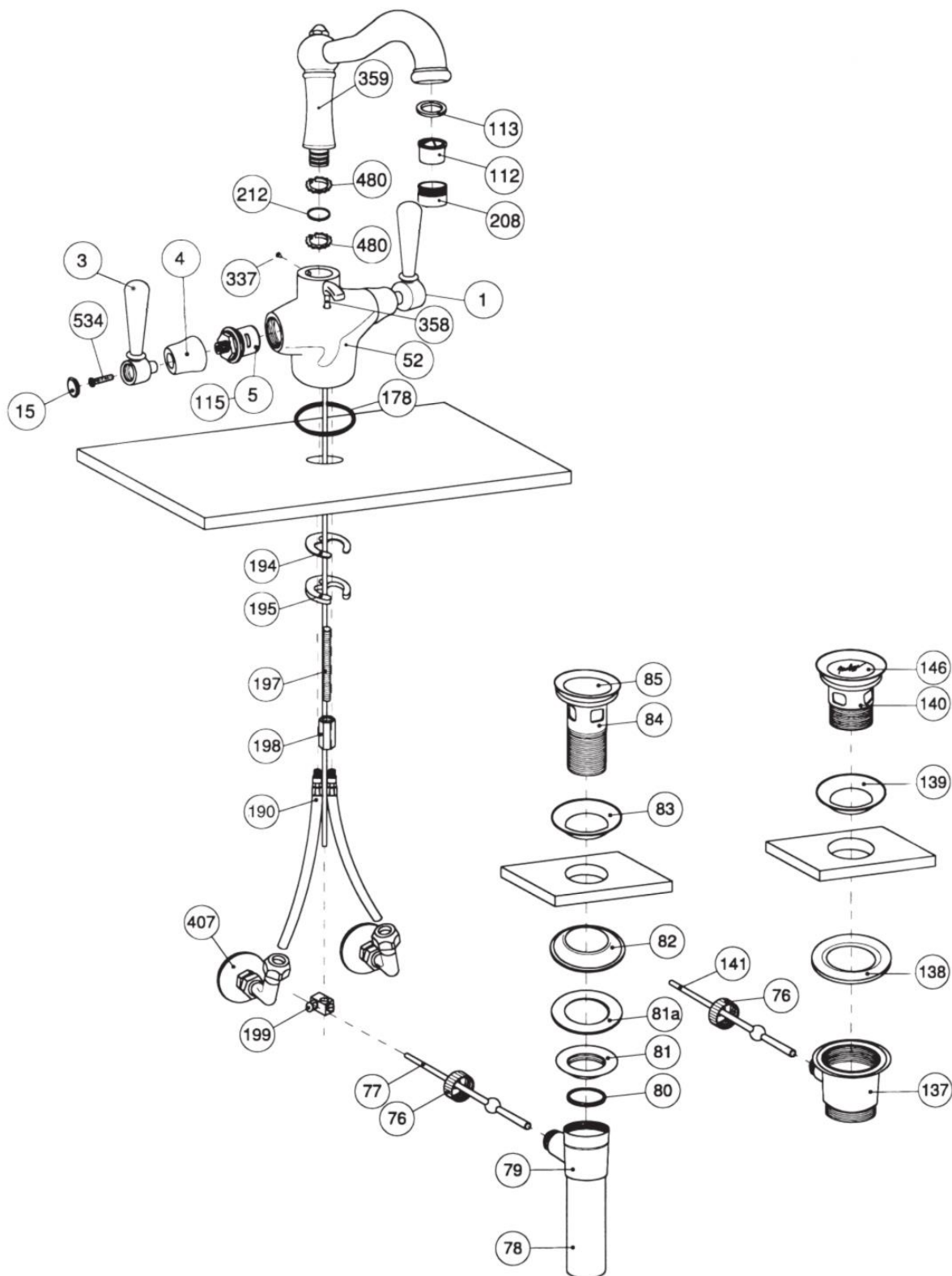
- 7
- Install the vertical waste pop-up rod 13, by feeding it through the hole in the top of the tap body.
 - Feed the bottom end of the vertical pop-up rod onto the articulated joint 14, located on the horizontal waste pop-up rod.
 - Adjust the length of the vertical pop-up rod to ensure the proper working of the pop-up stopper.
 - Ensure that the locking screw on the articulated joint is firmly secured.



Before use

- Turn on the Hot and Cold supplies to the tap.
- Maximum temperature for Hot water supply to the tapware is 62 °C.
- Minimum recommended pressure is 100 kPa — Maximum recommended pressure is 500 kPa.
- Check the installation carefully for leaks.
- If further building work is to be carried out in the vicinity of the tapware, it should be covered to prevent paint, adhesive, etc. from damaging the surface.

Spare Parts list Model : Z2632



Spare Parts list Model : Z2632

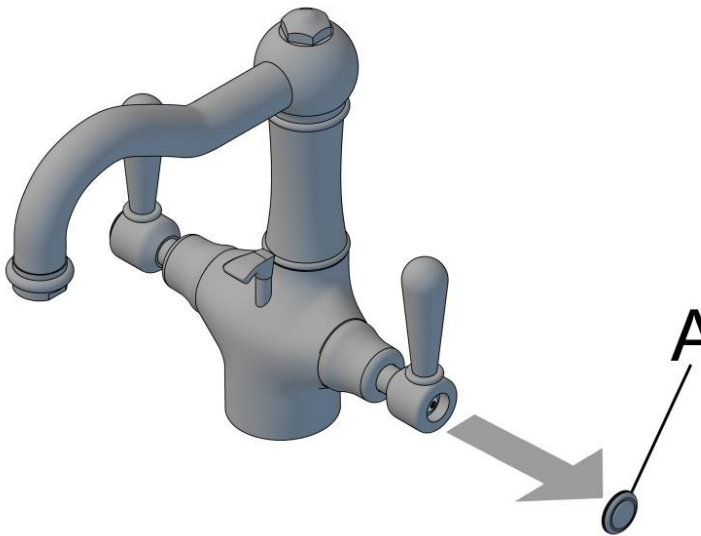
Pos.	Descrizione	Description	Cod.
1	Placchetta per maniglia con lettera F	Plate for handle with indication "C" (cold)	C 7698
3	Maniglia Mac Kinley	Mac Kinley handle	C 7660
4	Coprivitone	Cover - valve	C 7210
5	Vitone ceramic disc	Ceramic disc valve	C 7075
15	Placchetta per maniglia con lettera C	Plate for diverter with indication "H" (hot)	C 7698
52	Corpo monoforo	One hole mixer body	C1632/1
76	Calotta zigrinata	Knurled nut	CSA C 7322/C 7324
77	Asta con sfera	Rod with ball	CSA C 7324
78	Canotto	Pipe	CSA C 7324
79	Corpo scarico	Waste body	CSA C 7324
80	Guarnizione tenuta	Seal washer	CSA C 7324
81	Dado con flangia	Nut with flange	CSA C 7324
81a	Guarnizione	Washer	CSA C 7324
82	Guarnizione conica	Conical washer	CSA C 7324
83	Guarnizione sotto piletta	Under drain washer	CSA C 7324
84	Piletta	Drain	CSA C 7324
85	Tappo	Stopper	CSA C 7324
115	Vitone ceramic disc sinistro	Ceramic disc valve left	C 7075
137	Corpo scarico 1 1/4"	Waste body 1 1/4"	C 7322
138	Guarnizione corpo scarico	Waste body washer	C 7322
139	Guarnizione sotto piletta	Under drain washer	C 7322
140	Piletta	Drain	C 7322
141	Asta con sfera	Rod with ball	C 7322
146	Tappo	Stopper	C 7321/1
178	O-ring Ø39.34x2.62	O-ring Ø39.34x2.62	C 7586.78
190	Tubo rame con raccordo	Copper tube with joint	C 7493
194	Guarnizione gomma sagomata	Shaped rubber washer	C 7585.10
195	Ghiera a mezza-luna	Half-moon ring nut	C 7282
197	Perno filettato M8	Threaded pivot M8	C 7555
198	Dado 8MA prolungato (ES.13)	Lengthen nut 8 MA (ES.13)	C 7260/7
199	Snodino per asta scarico	Articulated joint for pop-up waste rod	C 7332
212	O-ring Ø13.6x2.7	O-ring Ø13.6x2.7	C 7586.52
337	Vite M4x5	Screw M4x5	C 7546
358	Asta comando scarico con pomolo	Pop-up rod with knob	C7312
359	Canna monoforo lavabo	Spout for basin single hole mixer	C 7448
407	Niples curvo	Curved nipples	C 7810
480	Anello Ø19,6 H.2,9	Ring Ø19,6 H.2,9	C 7593.1
534	Vite inox M4x23	Stainless steel screw M4x23	C 7551

Care and Maintenance Instructions Model : Z2632

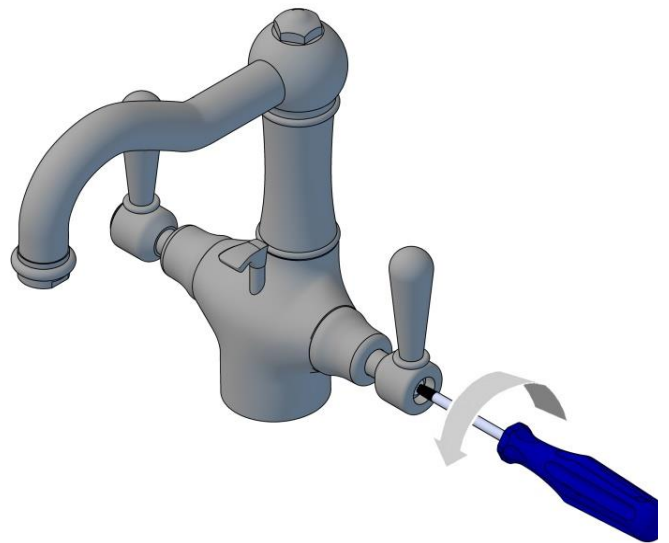
Removing and replacing a handle

MODEL SHOWN :Z2632

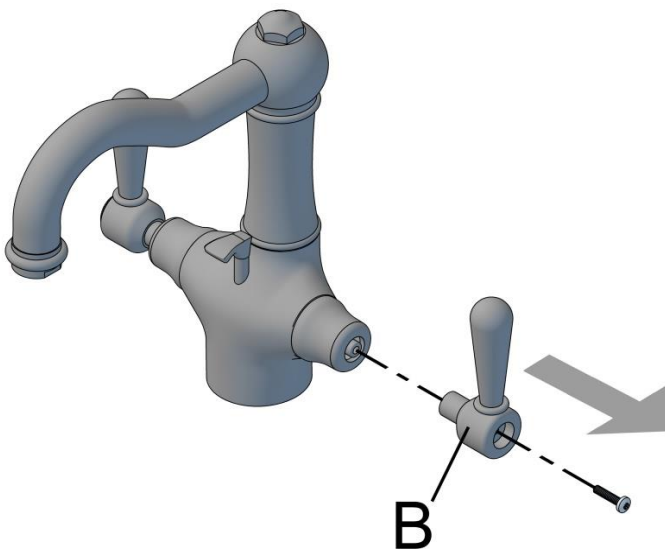
- 1 ▪ Unscrew and remove the indice button **A**, from the tap handle body.



- 2 ▪ Using a Philips head screw driver, unscrew the handle retaining screw.



- 3 ▪ Once the retaining screw is loose, lift and remove the handle **B**, from cartridge spline.



- 4 ▪ To reassemble, reverse the disassembly procedure.
▪ The retaining screw only needs to be hand tight.

NOTE: DO NOT OVER TIGHTEN, HAND TIGHT ONLY !

Do not over tighten as this could damage the ceramic cartridge!

Available replacement handles:

-60 Mac Kinley handle

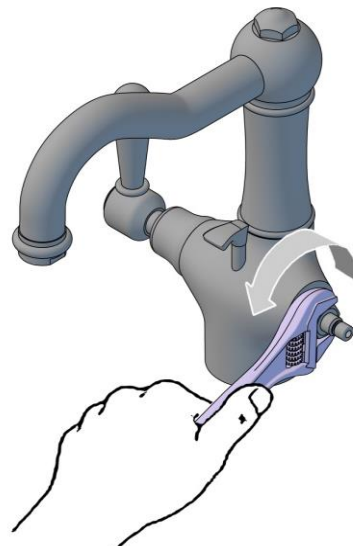
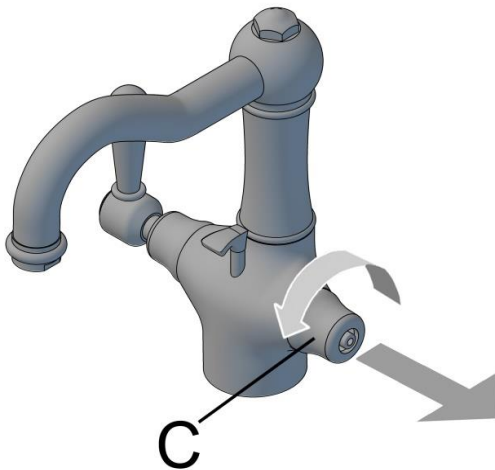
Care and Maintenance Instructions Model : Z2632

MAINTENANCE FOR SINGLE HOLE TWO LEVER TAP WARE

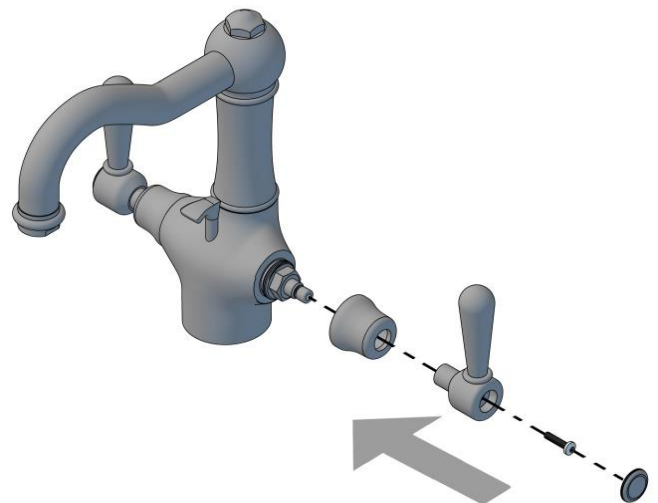
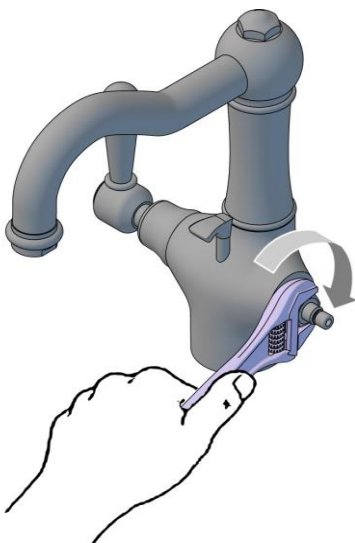
INSTRUCTIONS FOR REPLACEMENT OF THE HOT OR COLD CARTRIDGE

Do not replace the cartridge if there is low flow or no flow. Low flow or no flow is caused by obstruction or kinking of supply hoses.

- 1
 - Turn off the hot and cold supply lines to the tap set. (Not shown).
 - Remove the handle. Refer to “Removing and replacing a handle” section, page 9.
 - Unscrew and remove tap cover cap **C**.
- 2
 - Remove the cartridge with a 17mm spanner or smooth jawed shifter.



- 3
 - Install new cartridge.
 - Secure the cartridge with a smooth jawed shifter.
- 4
 - Install the handle and retaining flange, and hand tighten only. **DO NOT USE A SHIFTER TIGHTEN BY HAND ONLY!**
 - Turn on supply line and test for leaks. (Not shown).



Note: Do not over tighten as this could damage the ceramic cartridge!

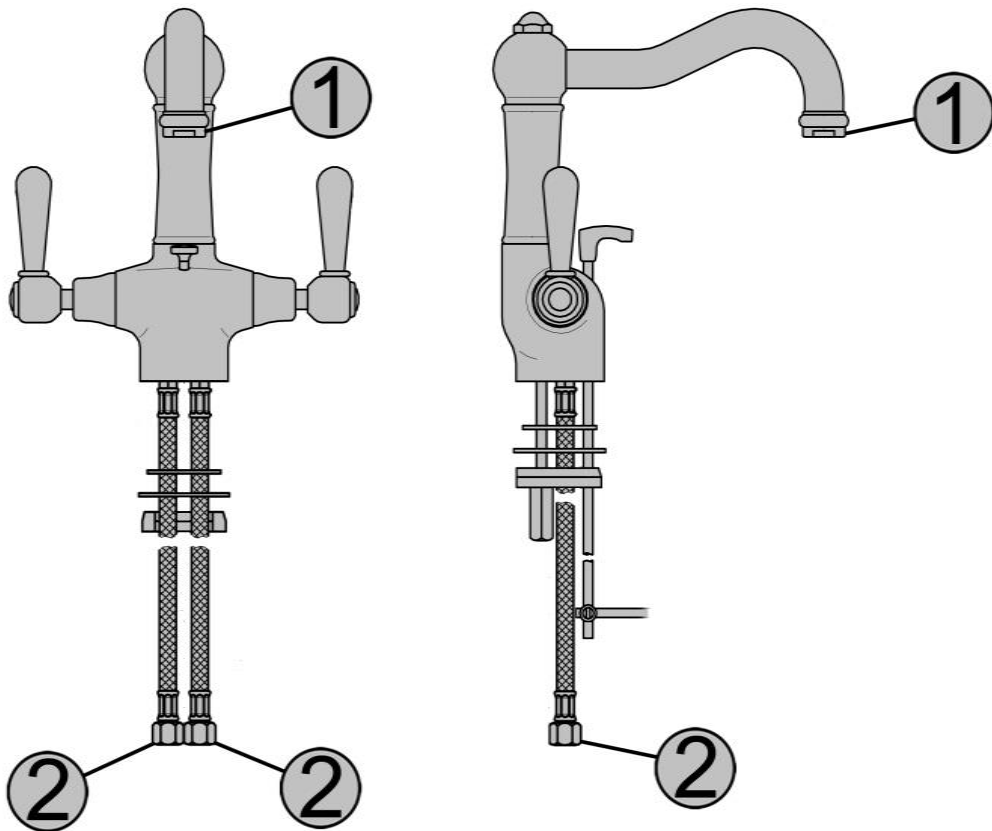
Care and Maintenance Instructions Model : Z2632

LOW FLOW OR NO FLOW TROUBLESHOOTING INSTRUCTIONS

Current bathroom taps have a max flow rate of 7 Litres per minute from the aerator and the hand spray.

If you are experiencing low flow from the spout: **Do not change the cartridge**

- Unscrew and clean the aerator -1
- Check the supply lines for kinks or obstructions-2
- Make sure the supply line stops are fully on. (Not shown.)



Care and Maintenance Instructions Model : Z2632

Care of external finishes

Nicolazzi products are all authentic finishes that have not been coated with any product. After each use, pat the fixture down to remove any excess water. This will prevent any water spotting or mineral build-up. Use only soft liquid soap and water to clean the surface. Use a soft brush to clean any gaps. Avoid any products that have ammonia or alcohol like Windex, Jif or Ajax. These products can damage the finish leaving black or white spots. Never use on abrasive products on tap ware or this will void the warranty.

Live Finishes DO NOT carry a warranty as they are living finishes and will change over time.

Raw Brass, Brush Brass (To make the brass lighter again rub the brass tap with lemon juice, this will lighten the dark colouring).

Shiny Brass, Polished Nickel has an ageing process and will tarnish over time.

Tuscan Brass is a living finish and also carries NO warranty. It will lighten with use. To extend the life of the finish, apply Bruno's Wax by patting it on, letting it dry and patting it off. Never rub or buff this finish.

WARNING: The use of cleaning products not recommended might irreparably harm the surfaces of the tap, which in such cases are not covered by our warranty.

Lime scale build up

The tap is fitted with an aeration device in the Hot/Cold water outlet.

This may need occasional cleaning especially in hard water areas.

This is accomplished by unscrewing the outlet in a counter clockwise direction, dismantling and leaving the inner screen mesh immersed over night in vinegar