

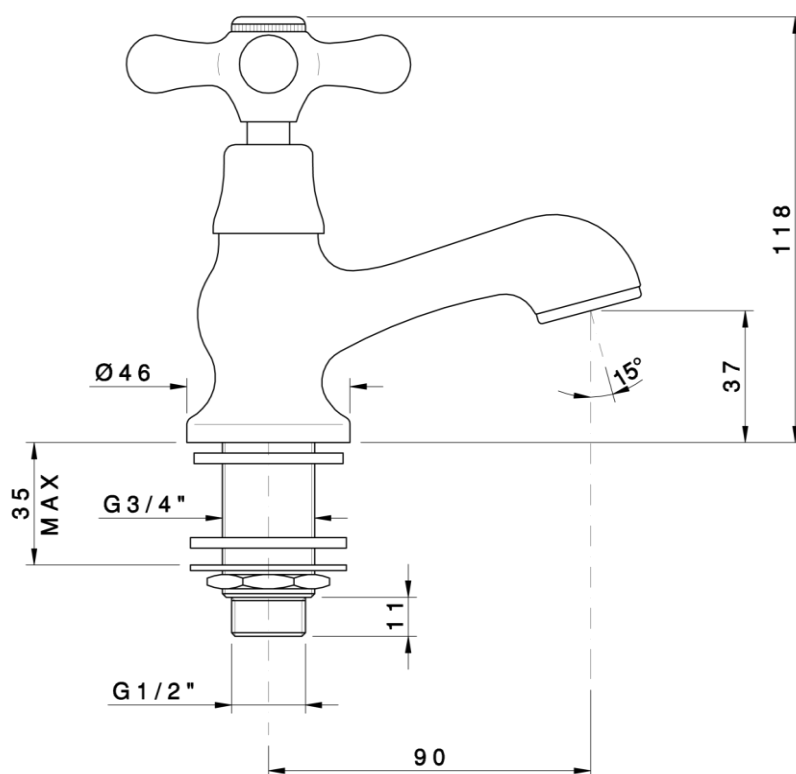


OFFICINA
NICOLAZZI
DAL 1960



Classic Prov Pillar Taps Cross Handle
Art: Z2517

Specifications



Available replacement handles:



NUOVA BRENTA



MAC KINLEY

- Handmade in Italy since 1960
- 1/4 Turn valves handmade at Nicolazzi Factory
- Lead Free Brass Compliant to AZ/NZS 3718
- Suitable even and uneven pressure
- Handles are interchangeable



WaterMark
WM22315
AS/NZS3662

Canterbury Sink & Tap Co.

Max/Min Operating
Pressure: 100/500kPa

OFFICINA
NICOLAZZI
DAL 1960

Important Notice Model : Z2517

CAREFULLY READ THROUGH THESE INSTRUCTIONS BEFORE INSTALLATION AND USE OF ALL TAP WARE AND WALL VALVES

INSTALLATION and WARRANTY INSTRUCTIONS

TECHNICAL INFORMATION

All flexible hoses are designed and manufactured for use with water in exposed locations only. Do not expose to household cleaners, chlorine, chloride, hydrochloric acid or other corrosive chemicals.

All connections with threads M10x1 male must be hand tighten. Do not over tighten. Over tightening may cause damage to the hose.

All tap ware washers and o-rings are designed and manufactured for use with water. Do not expose to household cleaners, chlorine, chloride, hydrochloric acid or other corrosive chemicals.

Our tap ware is designed for use with the temperatures and pressures listed below:

- minimum cold water supply 10 °C
- maximum hot water supply 62 °C
- minimum pressure 100 kPa
- maximum pressure 500 kPa
- maximum fixing torque value = 13.6 Nm

Please note: The recommended pressure for best performance is between 270 kPa and 420 kPa. More pressure than 420 kPa or less pressure than 270 kPa may affect the diverting action in side spray tap ware.

Do not use any Nicolazzi tap ware with sulphurous water.

The minimum temperature for all tap ware is 10 degrees Celsius . Below 10 degrees Celsius will void the warranty.

When available, filter systems must be placed between hot and cold supply lines and the tap ware. Improper use or non-use of filters may make diverting tap ware with hand sprays perform poorly.

Don't modify the tap ware and their components.

Use only original spare parts if there are replacements to be ordered. Installation must be made by authorized plumbers or installers. Improper installation or diagnosis of problems is not covered by the warranty. Yearly maintenance of cleaning and flushing is recommended.

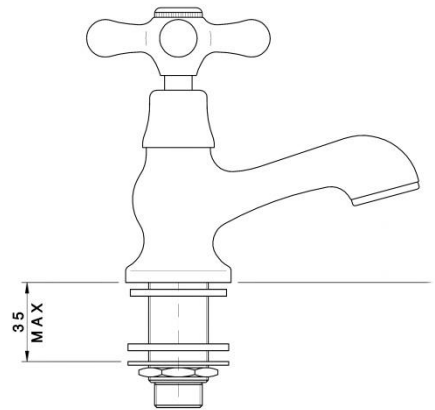
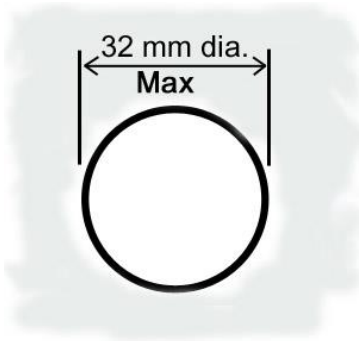
Operation and use of any tap ware or wall valve that do not conform to these technical instructions will void the warranty.

Installation Instructions Model : Z2517

1 Preparation

Tap body

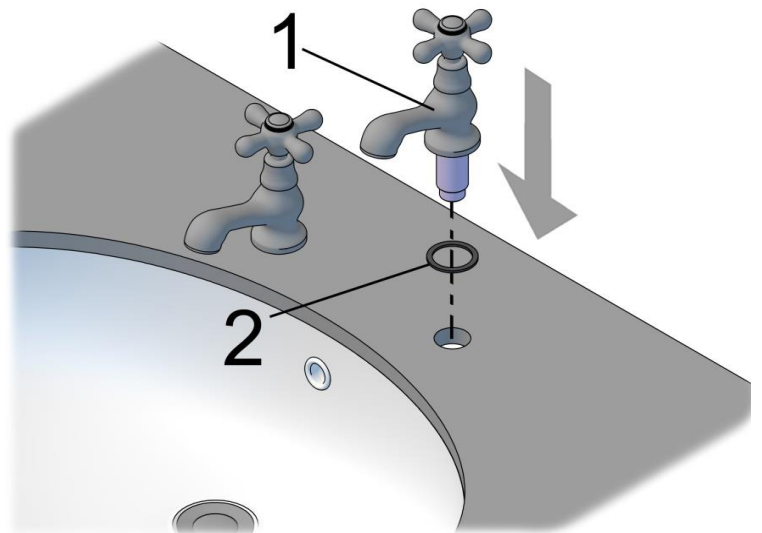
- Flush out the pipework to remove any foreign matter.
- Tap body cut out hole sizes : Maximum **32mm** diameter.
- Under side clearance : Maximum **35mm**



2 Installation Guide

Basin Pillar tap

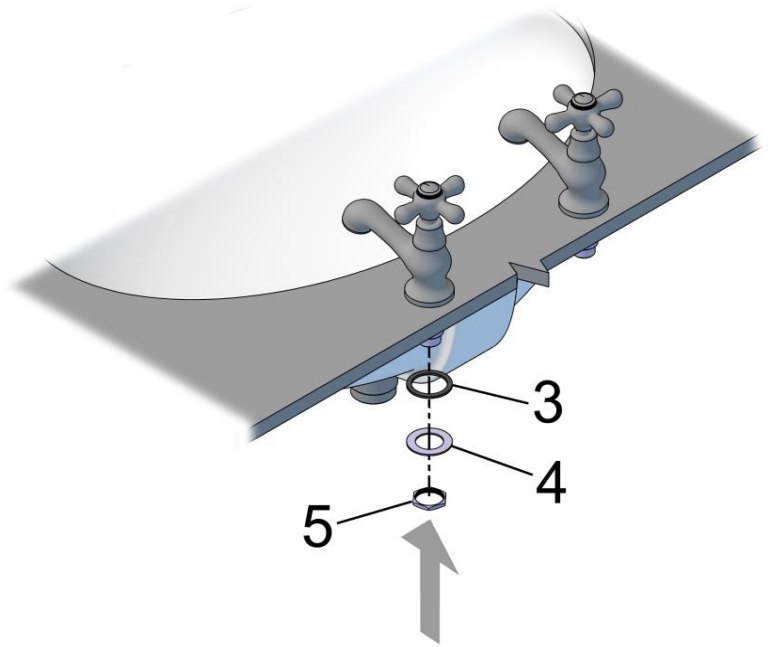
- Feed the Rubber washer **2**, on the tap body thread section.
- Place the tap body **1**, into the allocated counter top tap hole.



Continue.....

Installation Instructions Model : Z2517

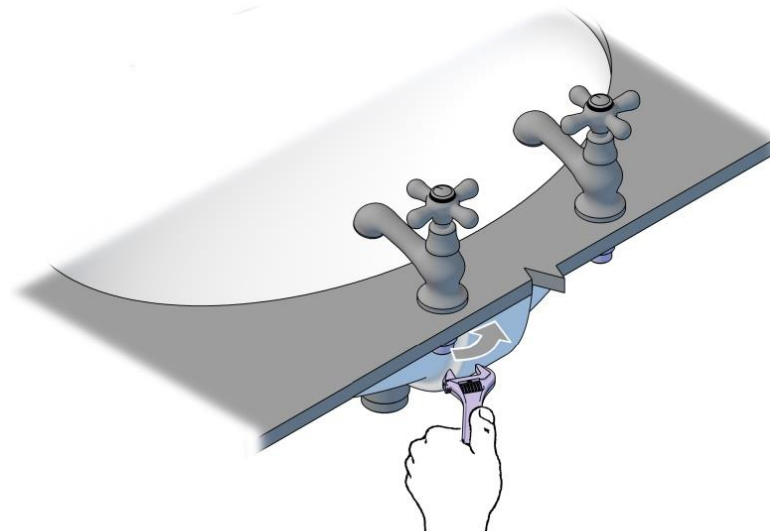
- Under the basin counter, stack the supplied rubber washer **3**, above the stainless steel plate **4**, and feed them onto the tap body thread section. Then fit the brass mounting nut **5**, onto the tap thread section. Screw the brass mounting nut until rubber washer mates up with the underside of the sink.



- Check the and alignment or desired position of the tap spout, then tighten the nut using a smooth jawed shifter.

Note: the under deck mounting surface must be flat. If the mounting surface is irregular, the nut may not be secured, and the tap will be loose on the sink.

-

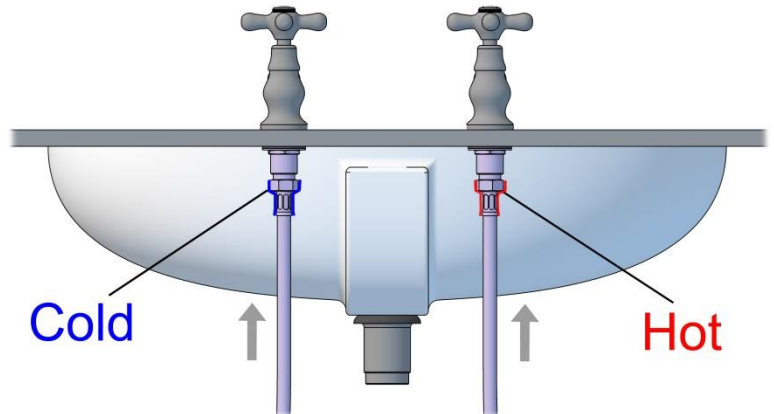


Continue.....

Installation Instructions

Model : Z2517

- 4
- Connect main Hot and Cold water supplies to the side body thread sections, using the correct flexi tail hoses.
 - From the back view, the Cold water supply is connected on the left hand side, with the Hot water supply on the right hand side.
 - Ensure all connections are firmly tightened.



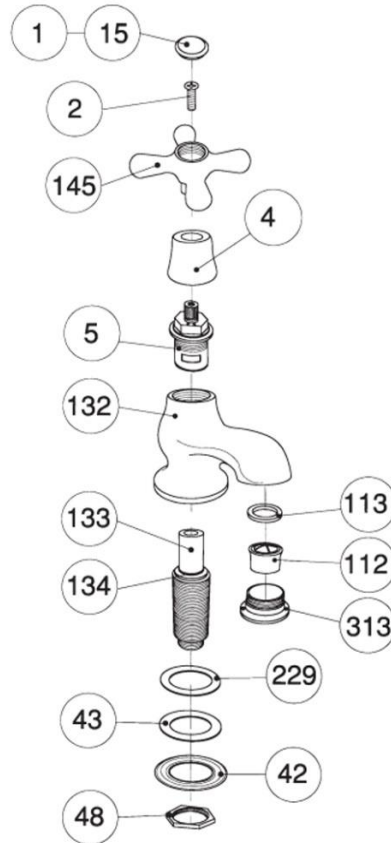
5

Before use

- Turn on the Hot and Cold supplies to the tap.
- Maximum temperature for Hot water supply to the tapware is 62 °C.
- Minimum recommended pressure is 100 kPa — Maximum recommended pressure is 500 kPa.
- Check the installation carefully for leaks.
- If further building work is to be carried out in the vicinity of the tapware, it should be covered to prevent paint, adhesive, etc. from damaging the surface.

Continue.....

Spare Parts list Model : Z2517



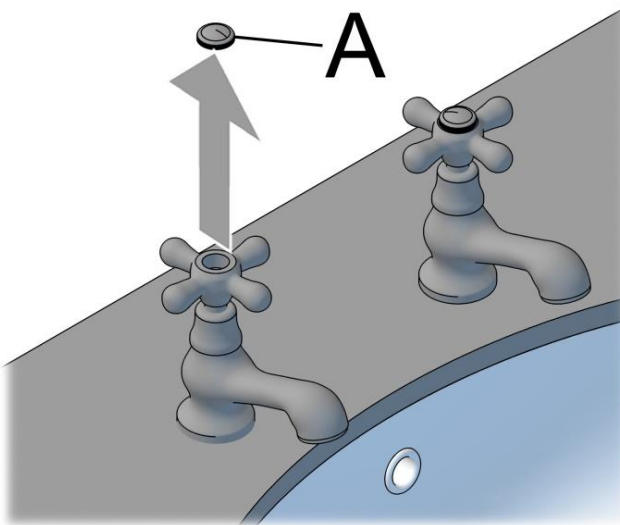
Pos.	Descrizione	Description	Cod.
1	Placchetta per maniglia con lettera F	Plate for handle with indication "C" (cold)	C 7698
2	Vite M4x10 mm	Screw M4x10 mm	C 7550
4	Coprivitone	Cover - valve	C 7210
5	Vitone ceramic disc	Ceramic disc valve	C 7075
15	Placchetta per maniglia con lettera C	Plate for diverter with indication "H" (hot)	C 7698
42	Disco inox 3/4"	Stainless steel disc 3/4"	C 7250.34
43	Guarnizione gomma 42 x 33 x 2	Rubber washer 42 x 33 x 2	C 7582
48	Controdado ottone G 3/4"	Brass lock nut G 3/4"	C 7250.34
112	Aeratore 24x1	Aerator 24x1	C 7086
113	Guarnizione per aeratore 24x1	Washer for aerator 24x1	C 7086
132	Corpo rubinetto collo di cigno	Body basin pillar tap	C 2517
133	Sede	Seat	C 2517/2
134	O-ring Ø12.42x1.78	O-ring Ø12.42x1.78	C 7586.48
145	Maniglia Nuova Brenta	Nuova Brenta handle	C 7601
229	Guarnizione gomma 42x33x2	Rubber washer 42x33x2	C 7583/3
313	Porta aeratore Ø30 (24x1)	Aerator holder Ø30 (24x1)	C 7087/5

Care and Maintenance Instructions Model : Z2517

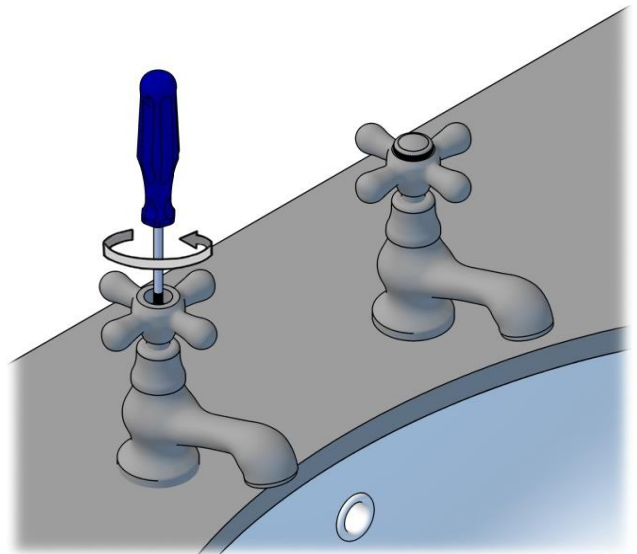
Removing and replacing a handle

MODEL SHOWN :Z2517

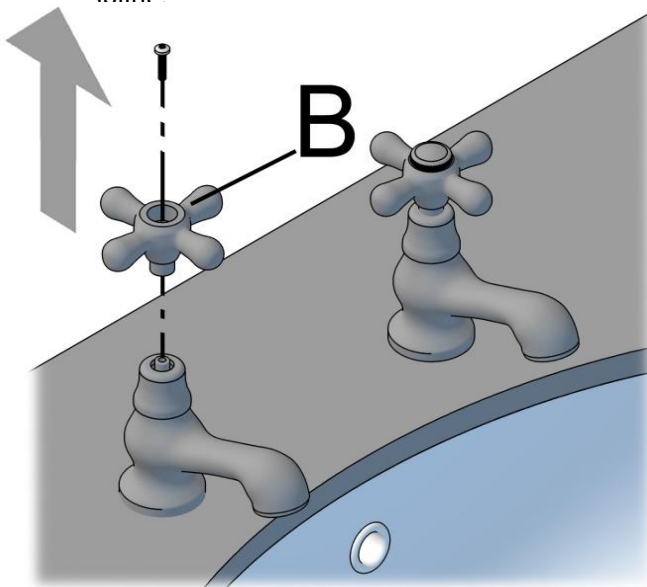
- 1 ▪ Unscrew and remove the indice button **A**, from the tap handle body.



- 2 ▪ Using a Philips head screw driver, unscrew the handle retaining screw.



- 3 ▪ Once the retaining screw is loose, lift and remove the handle **B**, from cartridge online.



- 4 ▪ To reassemble, reverse the disassembly procedure.
▪ The retaining screw only needs to be hand tight.

NOTE: DO NOT OVER TIGHTEN, HAND TIGHT ONLY !

Do not over tighten as this could damage the ceramic cartridge!

Available replacement handles:

- 01 Nuova Brenta handle.
- 60 Mac Kinley handle

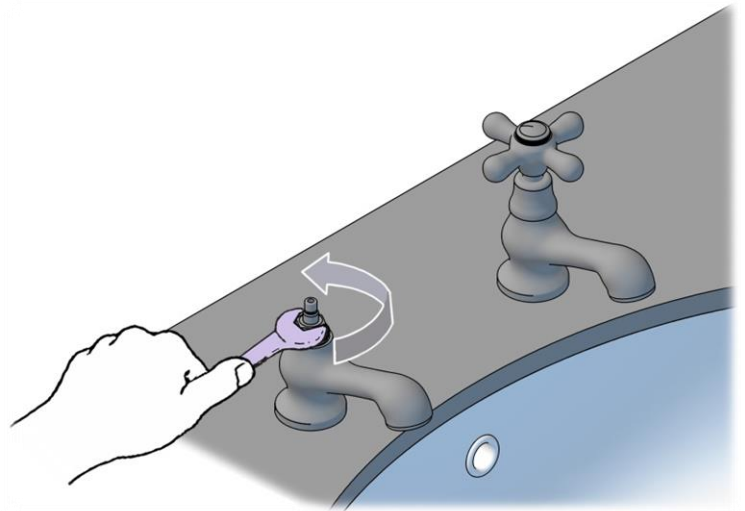
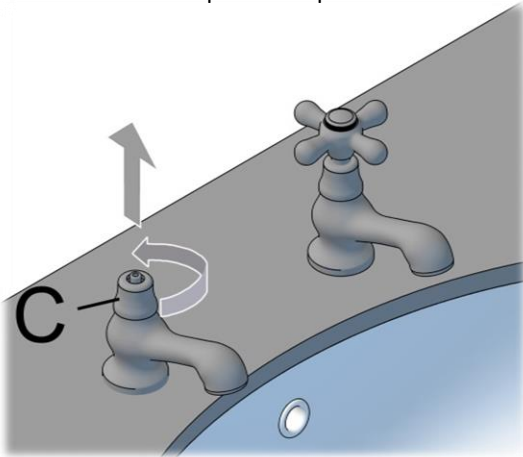
Care and Maintenance Instructions Model : Z2517

MAINTENANCE FOR THREE HOLE/TWO LEVER TAPWARE

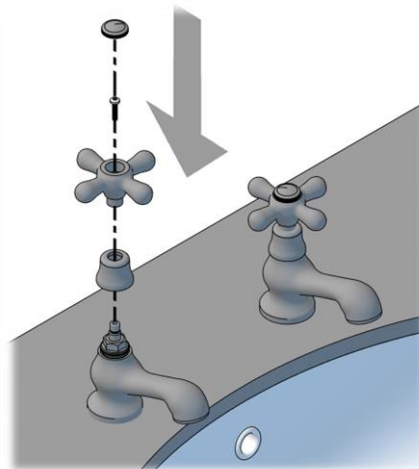
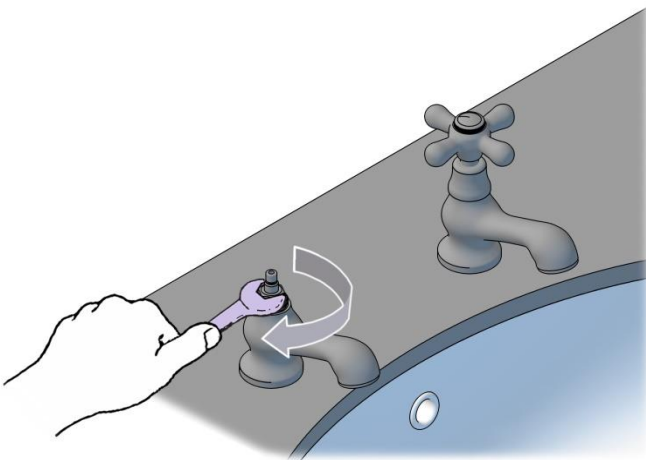
INSTRUCTIONS FOR REPLACEMENT OF THE HOT OR COLD CARTRIDGE

Do not replace the cartridge if there is low flow or no flow. Low flow or no flow is caused by obstruction or kinking of supply hoses.

- 1
 - Turn off the hot and cold supply lines to the tap set. (Not shown).
 - Remove the handle. Refer to "Removing and replacing a handle" section, page 7.
 - Unscrew and lift tap cover cap **C**.
- 2
 - Remove the cartridge with a 17mm spanner or smooth jawed shifter.



- 3
 - Install new cartridge.
 - Secure the cartridge with a smooth jawed shifter.
- 4
 - Install the tap handle and tap cover cap. Refer to "Removing and replacing a handle" section, page 7, for additional information.



Note: Do not over tighten as this could damage the ceramic cartridge!

Continue.....

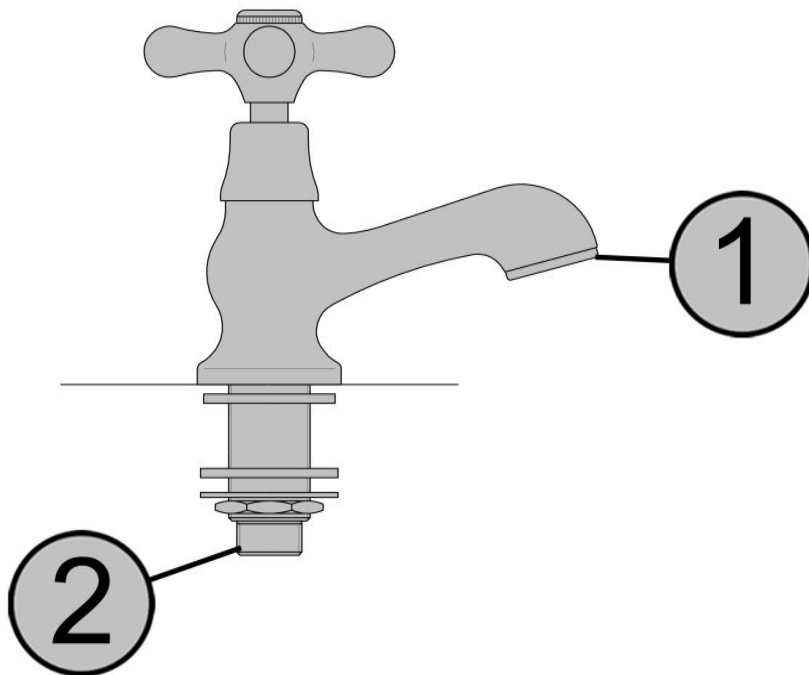
Care and Maintenance Instructions Model : Z2517

LOW FLOW OR NO FLOW TROUBLESHOOTING INSTRUCTIONS

Current bathroom taps have a max flow rate of 7 Litres per minute from the aerator.

If you are experiencing low flow from the spout: **Do not change the cartridge**

- Unscrew and clean the aerator -1
- Check the supply lines for kinks or obstructions-2.
- Make sure the supply line stops are fully on. (Not shown.)



Care and Maintenance Instructions Model : Z2517

Care of external finishes

Nicolazzi products are all authentic finishes that have not been coated with any product. After each use, pat the fixture down to remove any excess water. This will prevent any water spotting or mineral build-up. Use only soft liquid soap and water to clean the surface. Use a soft brush to clean any gaps. Avoid any products that have ammonia or alcohol like Windex, Jif or Ajax. These products can damage the finish leaving black or white spots. Never use on abrasive products on tap ware or this will void the warranty.

Live Finishes DO NOT carry a warranty as they are living finishes and will change over time.

Raw Brass, Brush Brass (To make the brass lighter again rub the brass tap with lemon juice, this will lighten the dark colouring).

Shiny Brass, Polished Nickel has an ageing process and will tarnish over time.

Tuscan Brass is a living finish and also carries NO warranty. It will lighten with use. To extend the life of the finish, apply Bruno's Wax by patting it on, letting it dry and patting it off. Never rub or buff this finish.

WARNING: The use of cleaning products not recommended might irreparably harm the surfaces of the tap, which in such cases are not covered by our warranty.

Lime scale build up

The tap is fitted with an aeration device in the Hot/Cold water outlet.

This may need occasional cleaning especially in hard water areas.

This is accomplished by unscrewing the outlet in a counter clockwise direction, dismantling and leaving the inner screen mesh immersed over night in vinegar