

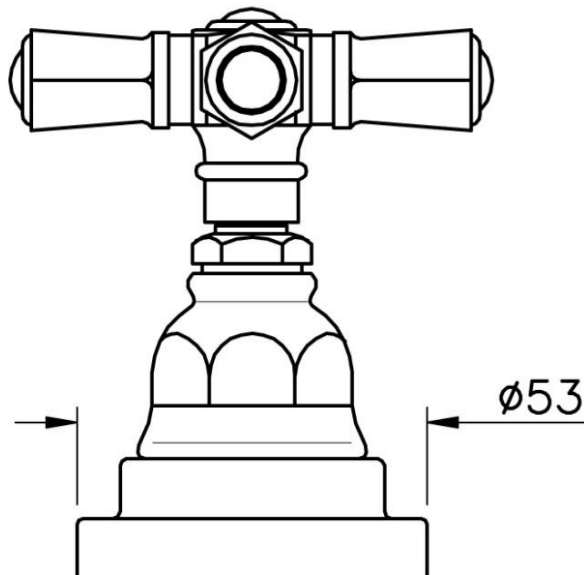


OFFICINA  
**NICOLAZZI**  
DAL 1960



**Built-in stop cock 1/2' 1 x PAIR**  
Art: Z2312--45IN AGORA

## Specifications



- Handmade in Italy since 1960
- 1/4 Turn valves handmade at Nicolazzi Factory
- Lead Free Brass Compliant to AZ/NZS 3718
- Suitable even and uneven pressure
- Handles are interchangeable



WaterMark

WM22315

AS/NZS3662

Canterbury Sink & Tap Co.

Max/Min Operating  
Pressure: 100/500kPa

OFFICINA  
**NICOLAZZI**  
DAL 1960

## Important Notice    Model : Z2312--45IN

---

**CAREFULLY READ THROUGH THESE INSTRUCTIONS BEFORE INSTALLATION AND USE OF ALL TAP WARE AND WALL VALVES**

### **INSTALLATION and WARRANTY INSTRUCTIONS**

#### **TECHNICAL INFORMATION**

All tapware washers and O-rings are designed and manufactured for use with water. Do not expose to household cleaners, chlorine, chloride, hydrochloric acid or other corrosive chemicals.

Our tap ware is designed for use with the temperatures and pressures listed below:

- minimum cold water supply 10 °C
- maximum hot water supply 62 °C
- minimum pressure 100 kPa
- maximum pressure 500 kPa
- maximum fixing torque value = 13.6 Nm

Please note: The recommended pressure for best performance is between 270 kPa and 420 kPa. More pressure than 420 kPa or less pressure than 270 kPa may affect the diverting action in side spray tap ware.

Do not use any Nicolazzi tap ware with sulphurous water.

The minimum temperature for all tap ware is 10 degrees Celsius . Below 10 degrees Celsius will void the warranty.

When available, filter systems must be placed between hot and cold supply lines and the tap ware. Improper use or non-use of filters may make diverting tap ware with hand sprays perform poorly.

Don't modify the tap ware and their components.

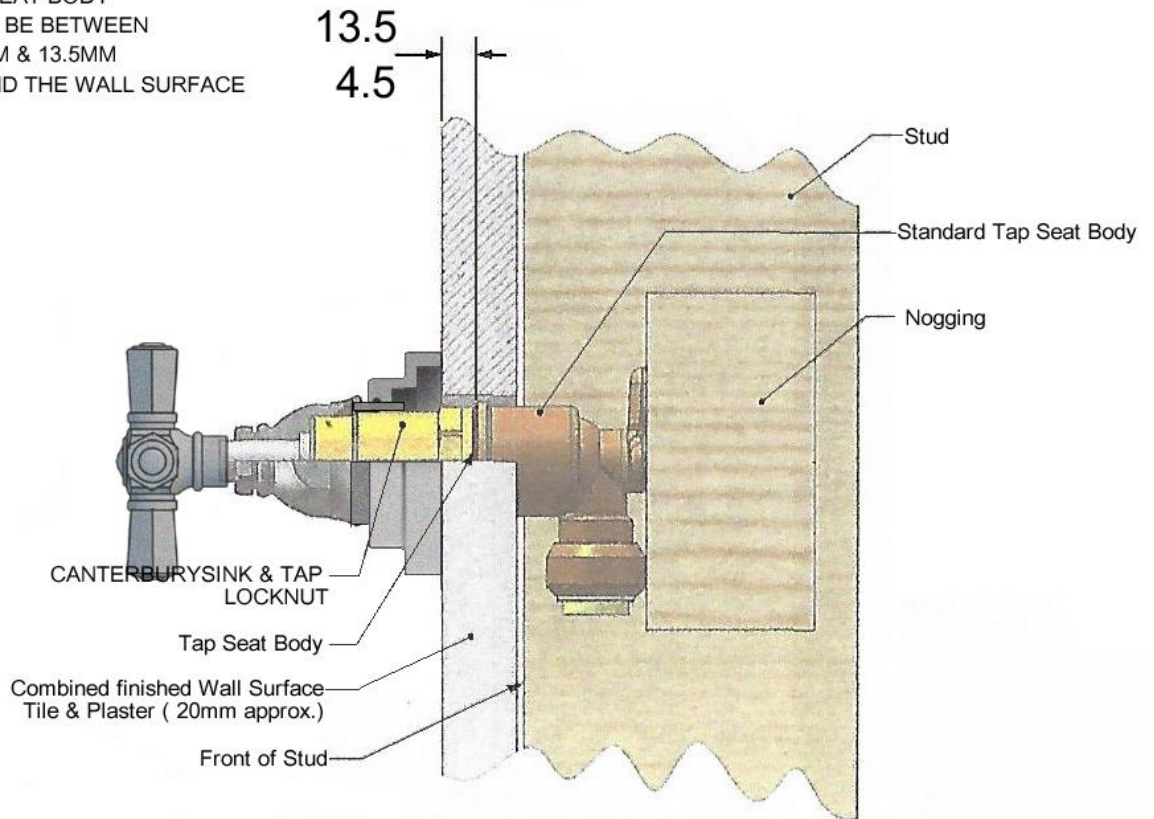
Use only original spare parts if there are replacements to be ordered. Installation must be made by authorized plumbers or installers. Improper installation or diagnosis of problems is not covered by the warranty. Yearly maintenance of cleaning and flushing is recommended.

Operation and use of any tap ware or wall valve that do not conform to these technical instructions will void the warranty.

# Installation Instructions    Model : Z2312--45IN

## Z2312--45IN WALL TAP ASSEMBLY

TAP SEAT BODY  
MUST BE BETWEEN  
4.5 MM & 13.5MM  
BEHIND THE WALL SURFACE



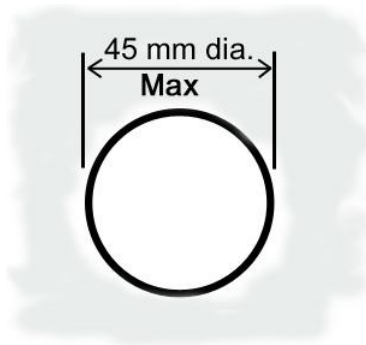
- A small amount of silicon can be applied behind the flange to hold it in place.

Continue.....

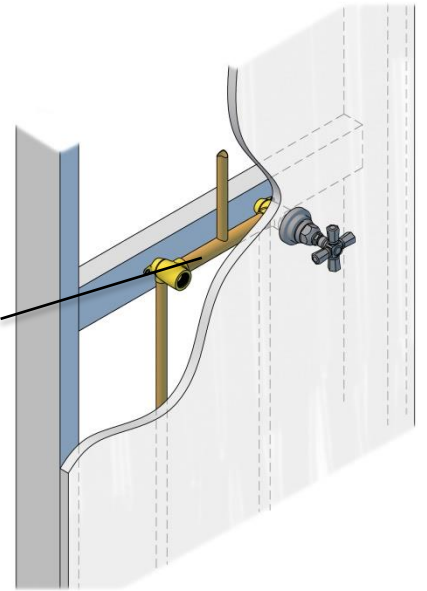
# Installation Instructions    Model : Z2312--45IN

## 1 Preparation

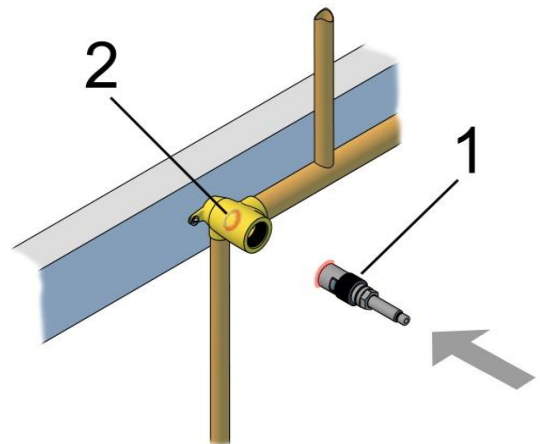
- Flush out the pipework to remove any foreign matter.
- Tap cut out hole sizes : Maximum **45mm** diameter.



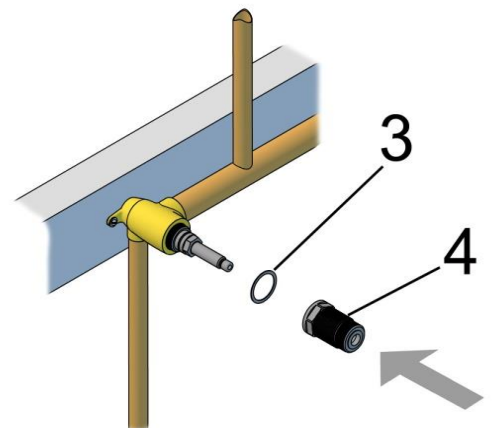
**Not supplied:**-Shower  
breach 200mm centre  
to centre



- ## 2
- Install the C-tech ¼ turn cartridge **1**, into the breach seat **2**. Ensure that the base of the cartridge is firmly tightened onto the base of the seat.



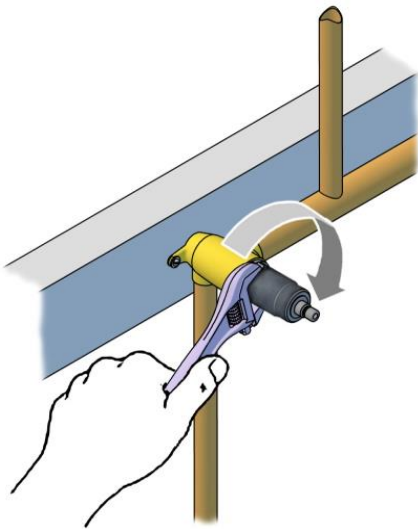
- ## 3
- Install the fibre washer **3**, and the lock nut **4**, onto the cartridge.



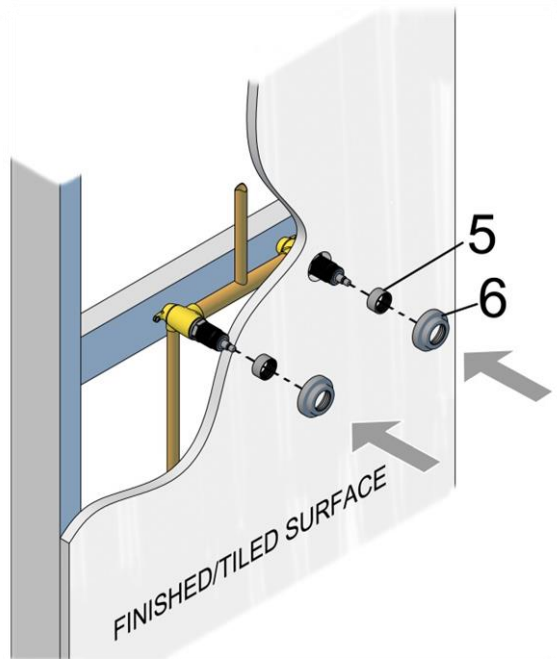
Continue.....

## Installation Instructions      Model : Z2312--45IN

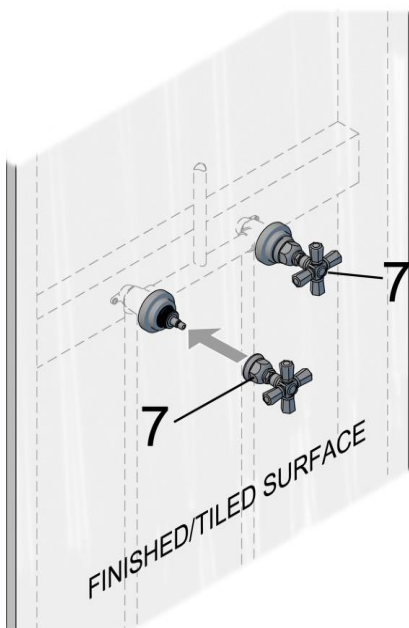
- 4
- Ensure that the locknut is adequately tightened against the breech face to prevent any water leaks.



- 5
- Fit the collar 5, onto the locknut outer thread.
  - Slide the cover flange 6, over the collar 5, until the cover flange sits firmly on the finished/tiled surface.



6



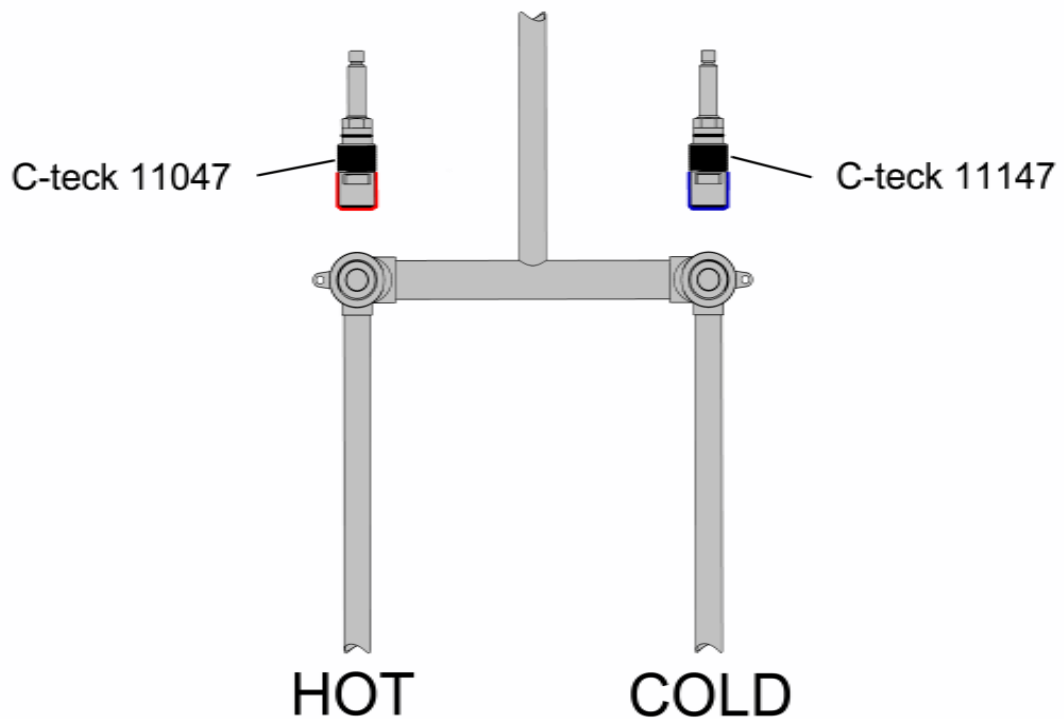
- Position the retaining flange with Lever handle 7, over the cartridge shaft spline, and carefully hand turn the retaining flange onto thread until it is firmly seated.  
**DO NOT USE A SHIFTER TIGHTEN BY HAND ONLY!**

**Note: Do not over tighten as this could damage the ceramic cartridge!**

Continue.....

## Installation Instructions    Model : Z2312--45IN

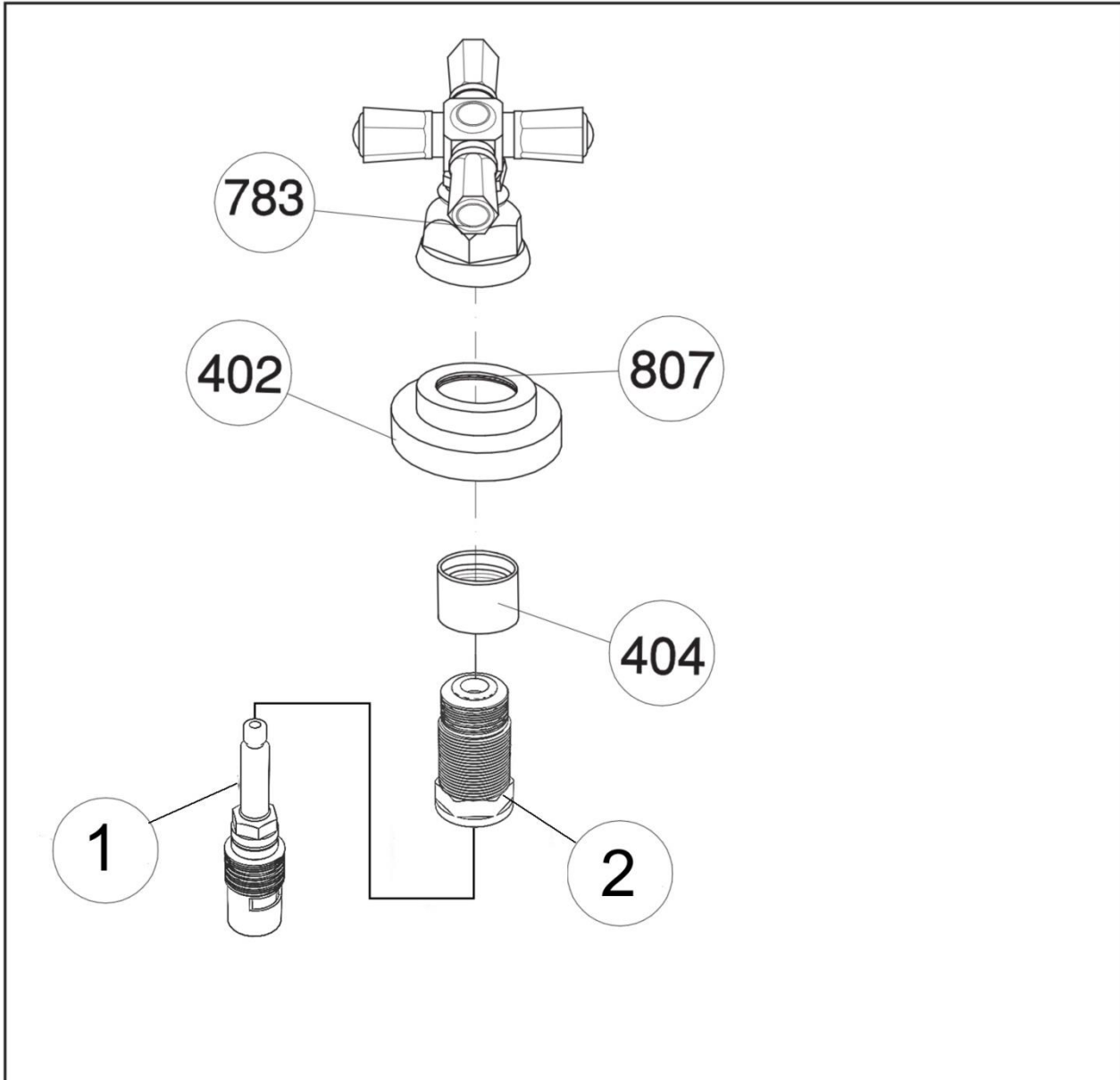
- 7
- Ensure the Hot and Cold water cartridges are installed correctly.  
Hot water cartridge : C-teck 11047  
Cold water cartridge: C-teck 11147



### Before use

- Turn on the Hot and Cold supplies to the tap.
- Maximum temperature for Hot water supply to the tapware is 62 °C.
- Minimum recommended pressure is 100 kPa — Maximum recommended pressure is 500 kPa.
- Check the installation carefully for leaks.
- If further building work is to be carried out in the vicinity of the tapware, it should be covered to prevent paint, adhesive, etc. from damaging the surface.

## Spare Parts list Model : Z2312--45IN



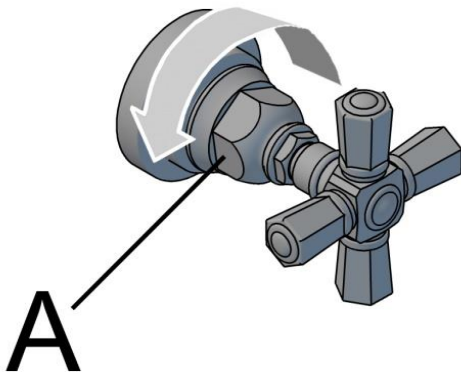
| Pos. | Descrizione                                  | Description                         | Cod.     |
|------|--|-------------------------------------|----------|
| 402  | Cappuccio per rubinetto arresto per M. Croce | Cap for built-in stop cock M. Croce | C 7239   |
| 404  | Coprivitone scorrevole maniglia M. Croce     | Sliding cover valve for M.Croce     | C 7627/5 |
| 783  | Maniglia serie "Agorà" (45IN)                | Agorà handle (45IN)                 | C 7645IN |
| 807  | O-ring 33.05x1.78                            | O-ring 33.05x1.78                   | C7586.85 |
| 1    | C-tech cartridge 11047 Hot / 11147 Cold      |                                     |          |
| 2    | Lock nut                                     |                                     |          |
|      |  |                                     |          |
|      |  |                                     |          |

## Care and Maintenance Instructions Model : Z2312--45IN

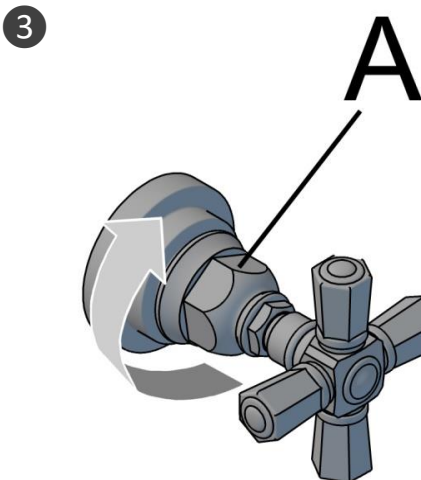
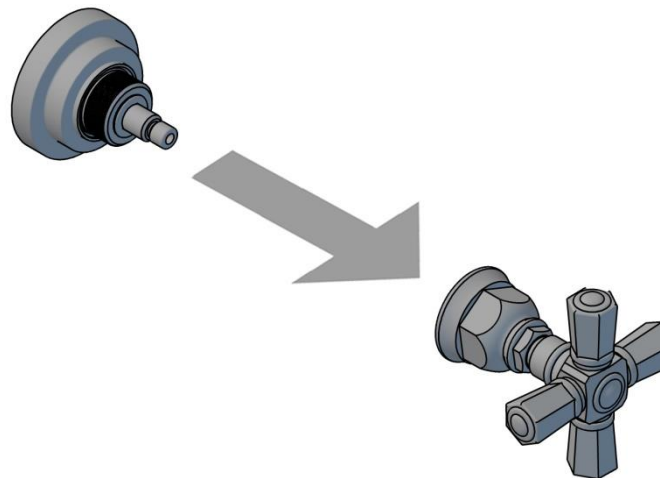
### Removing and replacing a handle

MODEL SHOWN :Z2312

- 1 ▪ Loosen and unscrew the retaining flange **A**, from the tap body.



- 2 ▪ Once totally loose, simply remove the handle from cartridge spline.



- To reassemble, reverse the disassembly procedure, given above.
- The retaining flange only needs to be hand tight.

**NOTE: DO NOT USE A SHIFTER TIGHTEN BY HAND ONLY !**

Do not over tighten as this could damage the ceramic cartridge!

**NOTE:** At any time, should the handle feel loose, retighten the retaining flange.

See our video: <https://youtu.be/PUBd3GHgg58>

Available replacement handles:

-- 45IN Agora handle



## Care and Maintenance Instructions Model : Z2312--45IN

---

### LOW FLOW OR NO FLOW TROUBLESHOOTING INSTRUCTIONS

Current bathroom taps have a max flow rate of 7 Litres per minute from the aerator and the hand spray.

If you are experiencing low flow from the spout: **Do not change the cartridge**

- Unscrew and clean the aerator/s of your shower head or spout
- Unscrew and clean the filters inside the supply connections
- Check the supply lines for kinks or obstructions
- Make sure the supply line stops are fully on. (Not shown.)

## Care and Maintenance Instructions Model : Z2312--45IN

---

### Care of external finishes

Nicolazzi products are all authentic finishes that have not been coated with any product. After each use, pat the fixture down to remove any excess water. This will prevent any water spotting or mineral build-up. Use only soft liquid soap and water to clean the surface. Use a soft brush to clean any gaps. Avoid any products that have ammonia or alcohol like Windex, Jif or Ajax. These products can damage the finish leaving black or white spots. Never use on abrasive products on tap ware or this will void the warranty.

Live Finishes DO NOT carry a warranty as they are living finishes and will change over time.

Raw Brass, Brush Brass (To make the brass lighter again rub the brass tap with lemon juice, this will lighten the dark colouring).

Shiny Brass, Polished Nickel has an ageing process and will tarnish over time.

Tuscan Brass is a living finish and also carries NO warranty. It will lighten with use. To extend the life of the finish, apply Bruno's Wax by patting it on, letting it dry and patting it off. Never rub or buff this finish.

**WARNING:** The use of cleaning products not recommended might irreparably harm the surfaces of the tap, which in such cases are not covered by our warranty.

### Lime scale build up

The tap is fitted with an aeration device in the Hot/Cold water outlet.

This may need occasional cleaning especially in hard water areas.

This is accomplished by unscrewing the outlet in a counter clockwise direction, dismantling and leaving the inner screen mesh immersed over night in vinegar