

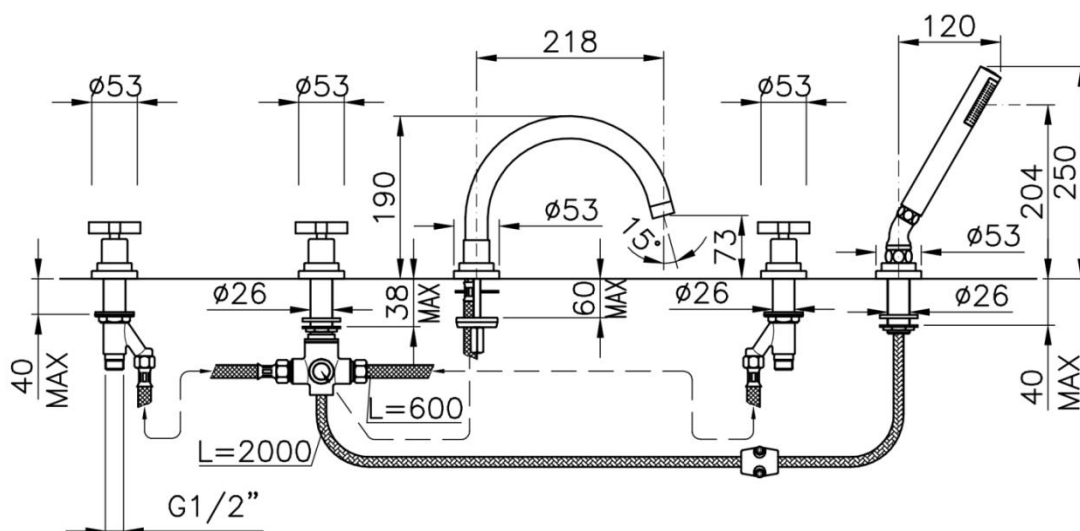


OFFICINA
NICOLAZZI
DAL 1960



DECK MOUNTED 5-HOLES BATHTUB SET WITH
HAND SPRAY, GOOSE NECK SPOUT
Art: Z2214--27

Specifications



Available replacement handles:



- 27 Monte Carlo Handle



- 29 Mac Kinley 05 Handle

- Handmade in Italy since 1960
- 1/4 Turn valves handmade at Nicolazzi Factory
- Lead Free Brass Compliant to AZ/NZS 3718
- Suitable even and uneven pressure
- Handles are interchangeable



WaterMark

WM22315

AS/NZS3662

Canterbury Sink & Tap Co.

Max/Min Operating Pressure: 100/500kPa

OFFICINA
NICOLAZZI
DAL 1960

Important Notice Model : Z2214

CAREFULLY READ THROUGH THESE INSTRUCTIONS BEFORE INSTALLATION AND USE OF ALL TAP WARE AND WALL VALVES

INSTALLATION and WARRANTY INSTRUCTIONS

TECHNICAL INFORMATION

All flexible hoses are designed and manufactured for use with water in exposed locations only. Do not expose to household cleaners, chlorine, chloride, hydrochloric acid or other corrosive chemicals.

All connections with threads M10x1 male must be hand tighten. Do not over tighten. Over tightening may cause damage to the hose.

All tap ware washers and o-rings are designed and manufactured for use with water. Do not expose to household cleaners, chlorine, chloride, hydrochloric acid or other corrosive chemicals.

Our tap ware is designed for use with the temperatures and pressures listed below:

- minimum cold water supply 10 °C
- maximum hot water supply 62 °C
- minimum pressure 100 kPa
- maximum pressure 500 kPa
- maximum fixing torque value = 13.6 Nm

Please note: The recommended pressure for best performance is between 270 kPa and 420 kPa. More pressure than 420 kPa or less pressure than 270 kPa may affect the diverting action in side spray tap ware.

Do not use any Nicolazzi tap ware with sulphurous water.

The minimum temperature for all tap ware is 10 degrees Celsius . Below 10 degrees Celsius will void the warranty.

When available, filter systems must be placed between hot and cold supply lines and the tap ware. Improper use or non-use of filters may make diverting tap ware with hand sprays perform poorly.

Don't modify the tap ware and their components.

Use only original spare parts if there are replacements to be ordered. Installation must be made by authorized plumbers or installers. Improper installation or diagnosis of problems is not covered by the warranty. Yearly maintenance of cleaning and flushing is recommended.

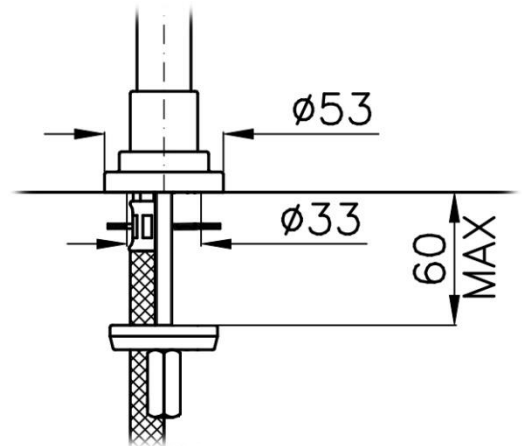
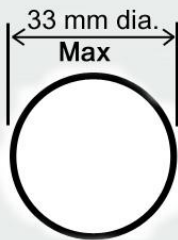
Operation and use of any tap ware or wall valve that do not conform to these technical instructions will void the warranty.

Installation Instructions Model : Z2214

Preparation

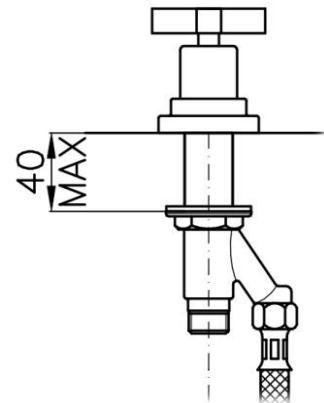
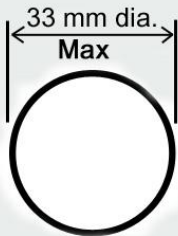
Tap body

- Tap body cut out hole sizes : Maximum **33mm** diameter.
- Under side clearance : Maximum **60mm**



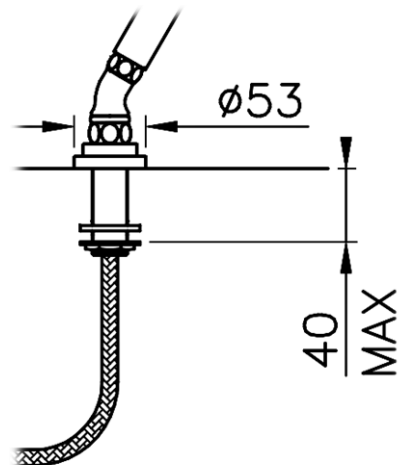
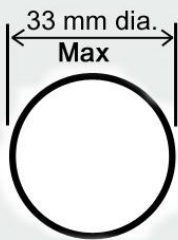
Tap section

- Flush out the pipework to remove any foreign matter.
- Tap section cut out hole sizes : Maximum **33mm** diameter.
- Under side clearance : Maximum **40mm**



Hand spray

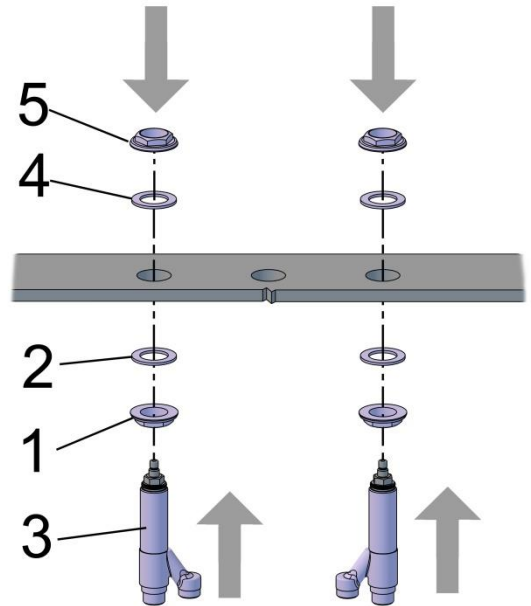
- Tap section cut out hole sizes : Maximum **33mm** diameter.
- Under side clearance : Maximum **40mm**



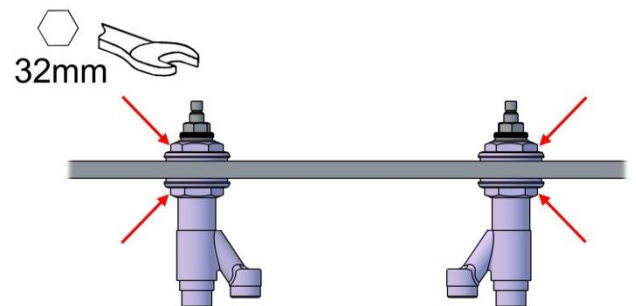
Continue.....

Installation Instructions Model : Z2214

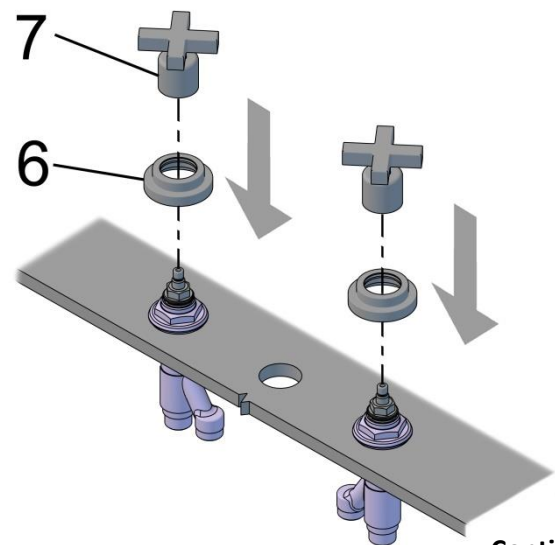
- 1
- Thread the bottom brass lock nut **1**, followed by the bottom rubber washer **2**, onto the Side body **3**, thread section.
 - Repeat for the opposite side.
 - Insert the Side body **3**, through the tap hole cut outs in the counter top.
 - Feed the top rubber washer **4** over the thread section followed by the top brass lock nut **5**.



- 2
- Adjust the Tap Side body to the correct height and then tighten using a 32mm spanner or adjustable smooth jawed shifter.
 - Note: Make sure that the locking nuts are fully tightened, otherwise the side body may turn while turning the On Off lever.**



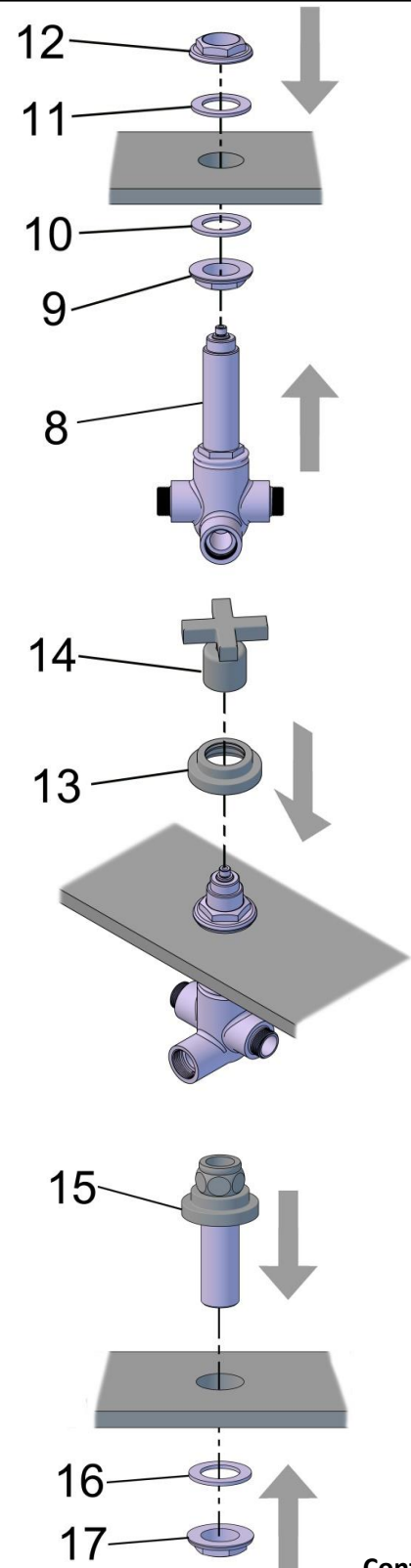
- 3
- Feed the cover plate **6**, onto the tap side body, until it is flush with the counter top surface.
 - Thread the retaining flange and handle **7**, onto the cartridge, securing it firmly by hand only. See the "Removing and replacing a handle", on page "12" for additional details.



Continue.....

Installation Instructions Model : Z2214

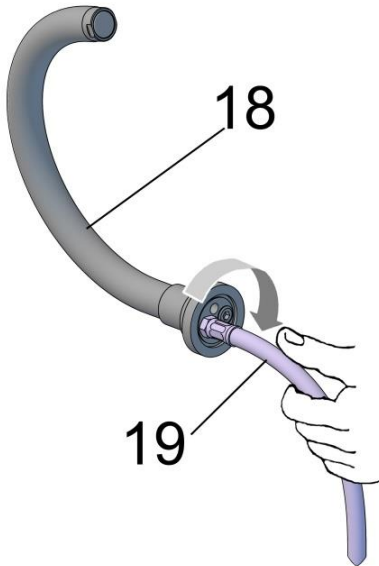
- 4
- Thread the bottom brass lock nut **9**, followed by the bottom rubber washer **10**, onto the Diverter body **8**, thread section.
 - Insert the Diverter body **8**, through the tap hole cut out in the counter top.
 - Feed the top rubber washer **11** over the thread section followed by the top brass lock nut **12**.
 - Adjust the Diverter body to the correct height and then tighten using a 32mm spanner or adjustable smooth jawed shifter.
 - **Note: Make sure that the locking nuts are fully tightened, otherwise the Diverter body may turn while turning the Diverter lever.**
- 5
- Feed the cover plate **13**, onto the Diverter body, until it is flush with the counter top surface.
 - Thread the retaining flange and handle **14**, onto the Diverter spline, securing it firmly by hand only. See the "Removing and replacing a handle", on page "12" for additional details.
- 6
- Insert the hand spray escutcheon **15**, into the cut out hole.
 - Install the rubber gasket **16**, onto the escutcheon thread extension, followed by the brass lock nut **17**. Secure on to the worktop underside, but do not over tighten.



Continue.....

Installation Instructions Model : Z2214

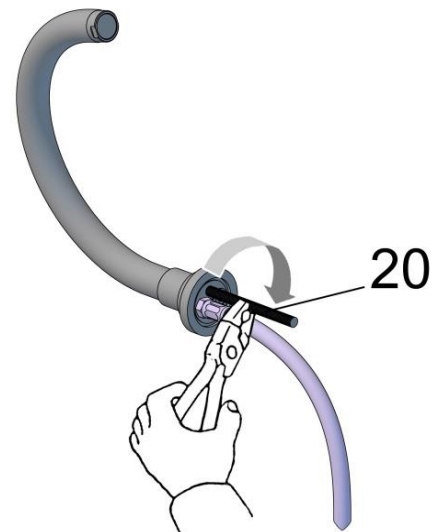
4



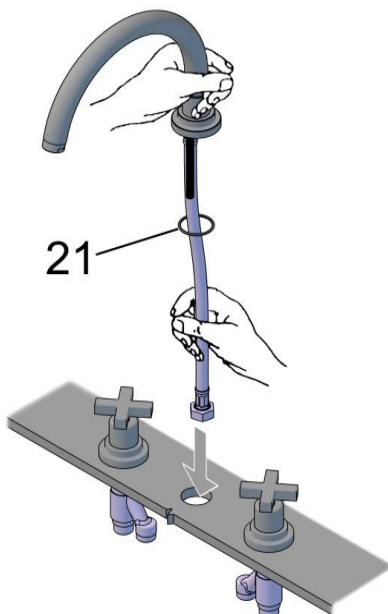
- Install the water supply hose **19**, into tap the body spout **18**.
- Note: Hand tighten only, **DO NOT** over tighten- **19!**

5

- Install the supplied mounting stud **20**, into tap the body spout and verify that they are securely installed.



6



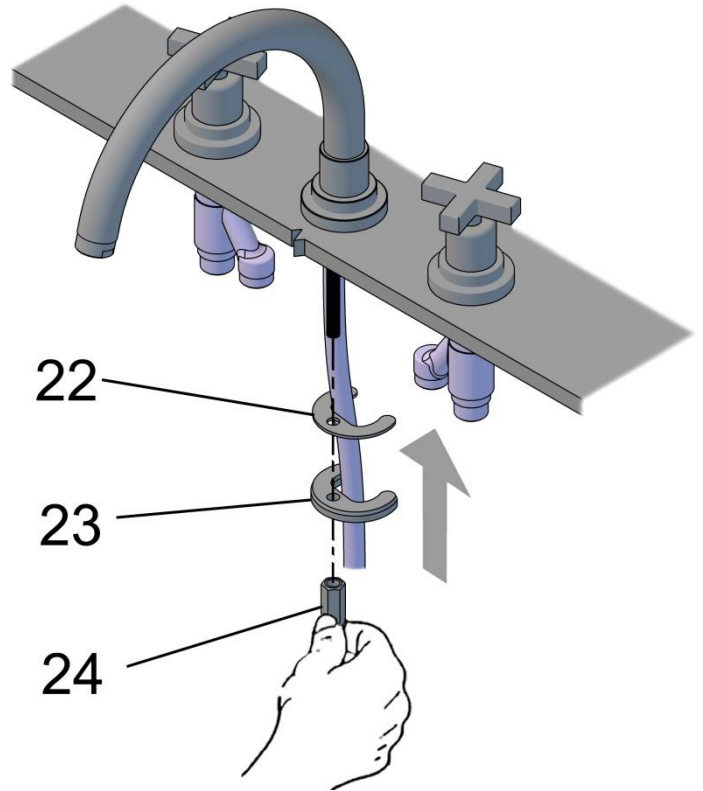
- Feed the O-ring **21**, over the water supply hose.
- **Note:** Insert the tap into mounting hole carefully. Feed the water supply hoses through the cut out hole ensuring that they are not bent or kinked, as this could result in permanent damage or leakage.

Continue.....

Installation Instructions

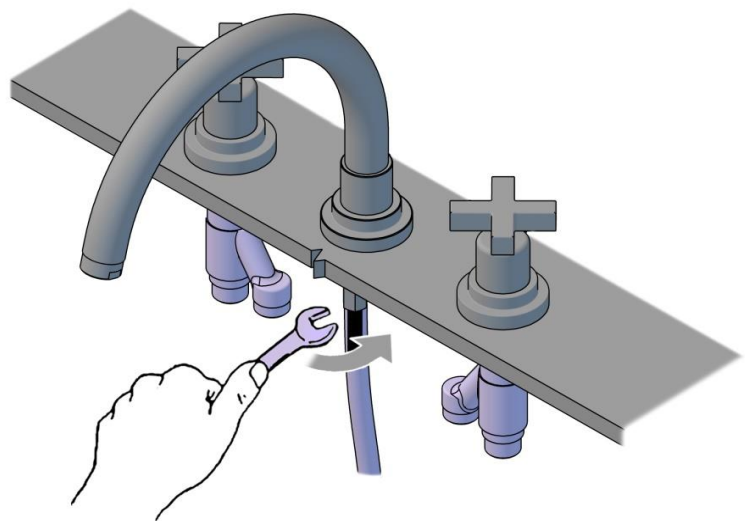
Model : Z2214

- 7
- Under the sink, stack the supplied half ring rubber gasket **22**, above the half ring mounting plate **23**, and feed them onto the stud. Then screw the mounting nut **24**, onto the stud. Screw the mounting stud until the half ring rubber gasket mates up with the underside of the sink.



- 8
- Check the position on the spout body, then tighten the nut using a 13mm spanner or smooth jawed shifter.

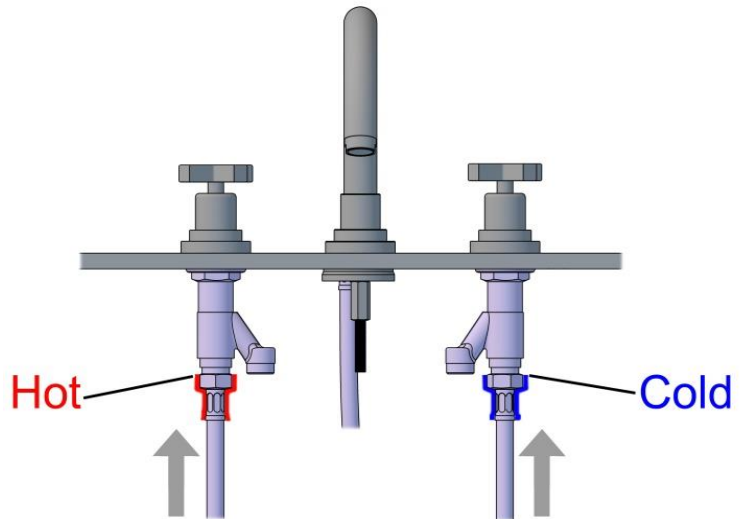
Note: The surface under mounting deck must be flat. If the mounting surface is irregular, the nut may not be secured, and the tap will be loose on the sink.



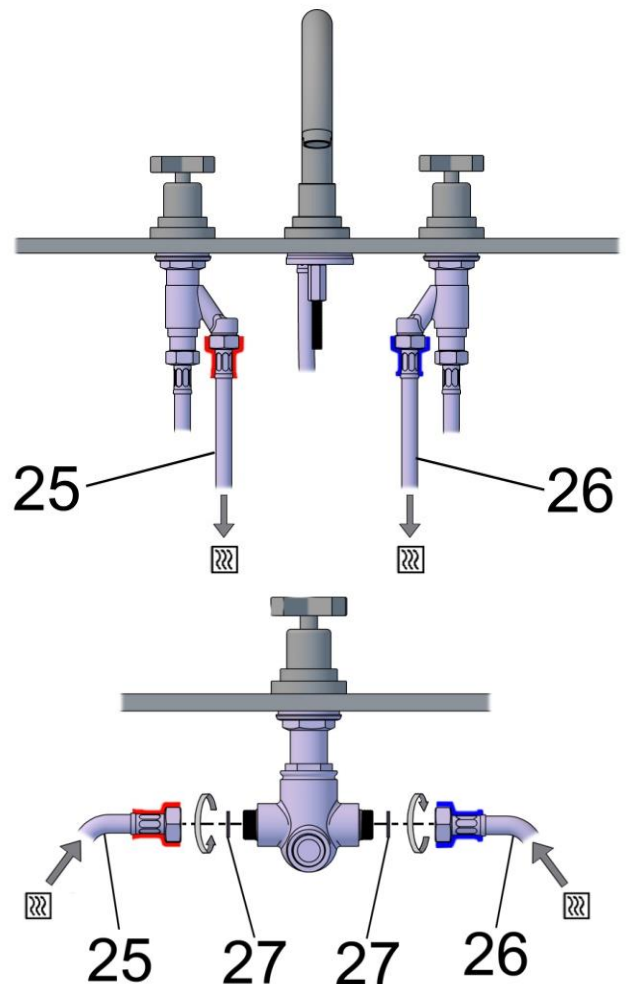
Continue.....

Installation Instructions Model : Z2214

- 9
- Connect main Hot and Cold water supplies to the Tap side body thread sections, using the correct flexi tail hoses.
 - From the front view, the Cold water supply is connected on the right hand side, with the Hot water supply on the Left hand side
 - Ensure all connections are firmly tightened to prevent any water leaks.



- 10
- Connect the Diverter Hot and Cold water supply flexi hoses **25** and **26**, to the protruding stems of the tap side body units.
 - Connect the opposite ends of the flexi hose **25** and **26**, to the Diverter.
 - Ensure that the supplied rubber washers **27**, are fitted to both end of each of the flexi tail hoses.
 - Ensure all connections are firmly tightened to prevent any water leaks.



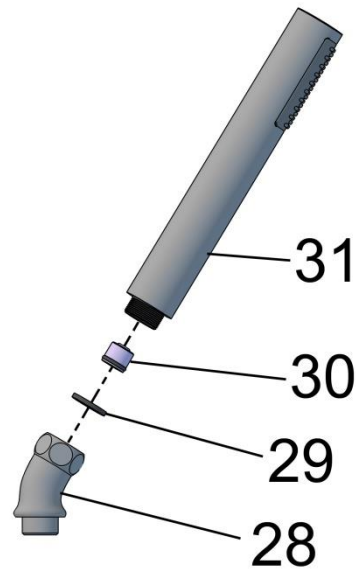
11

Continue.....

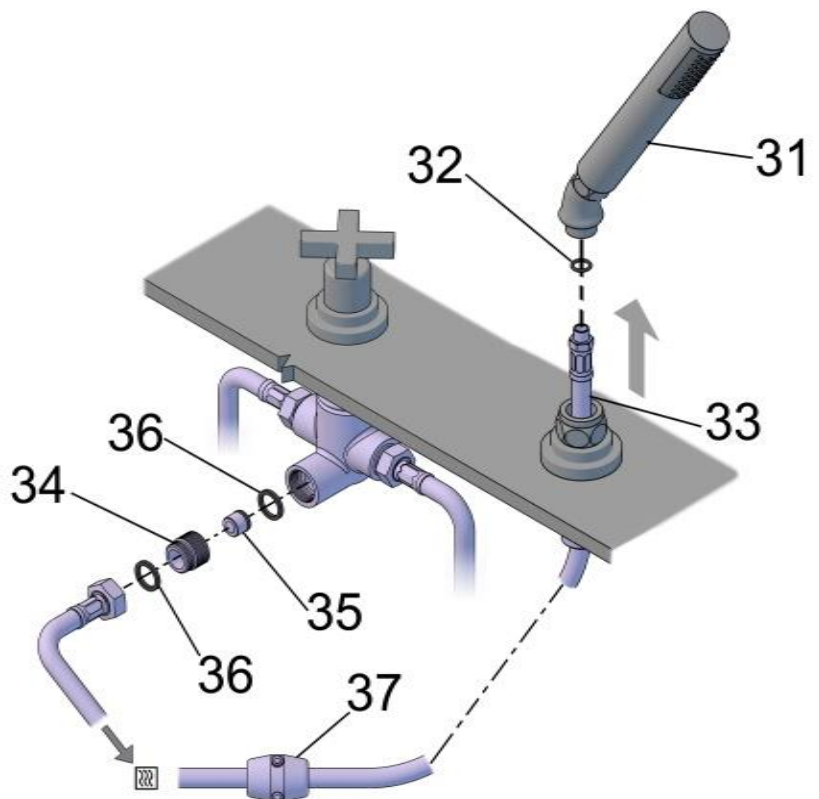
Installation Instructions

Model : Z2214

- 12
- Install Hand spray hand set **31**, to the curved joint holder **28**.
 - Ensure that the Check valve **30**, is inserted into the end recess of the hand set.
 - Place the rubber washer **29**, between the hand set **31**, and the curved joint holder hand firmly screw into place.



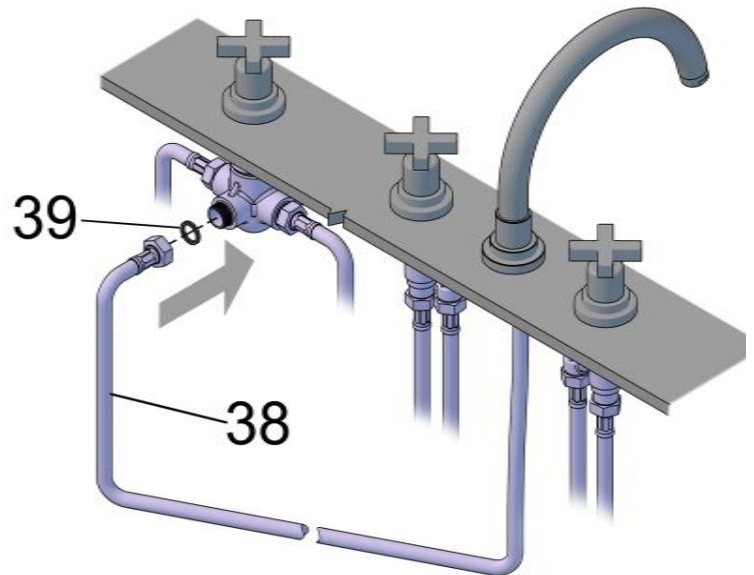
- 12
- Pull the male end of the flexi hose **33**, through from the bottom end of the hand spray escutcheon.
 - Connect the flexi hose to the curved joint holder ensuring that the O-ring **32**, is placed on the male end of the flexi hose.
 - Insert Check valve **35**, into the thread adaptor **34**, recess. Screw the adaptor into the Diverter output together with rubber washer **36**.
 - Secure the female end of the flexi hose onto the adapter, together with the rubber washer **36**.
 - Fix the weight **37**, onto the hand spray flexi hose. Position the weight along the flexi hose so as to prevent the excessive tension on the flexi hose connections when fully extracted.



Installation Instructions

Model : Z2214

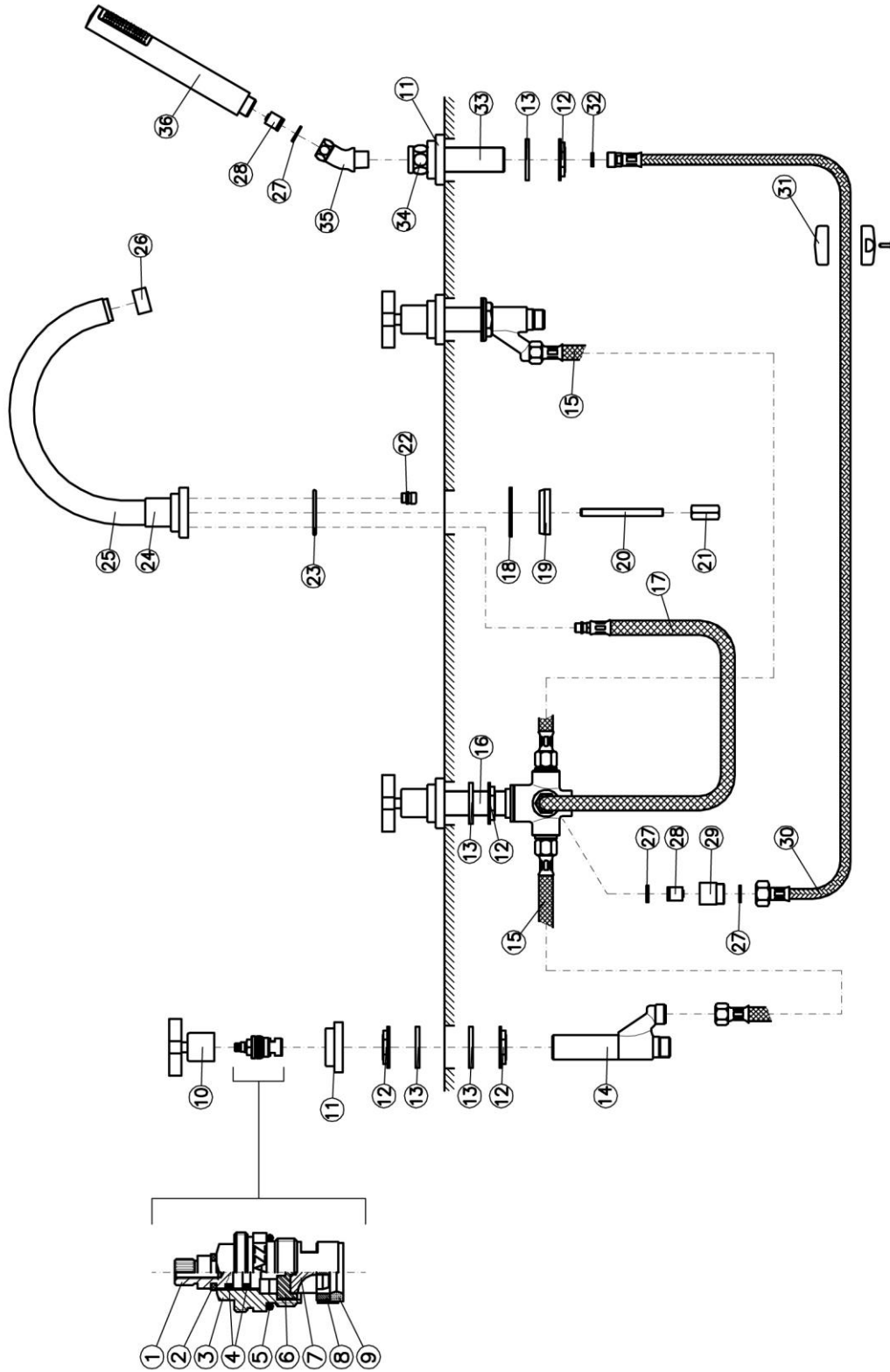
- 12
- Install the tap spout flexi hose **38**, to the Diverter output.
 - Place the rubber washer **39**, between the female hose thread connector, and the Diverter output.



Before use

- Turn on the Hot and Cold supplies to the tap.
- Maximum temperature for Hot water supply to the tapware is 62 °C.
- Minimum recommended pressure is 100 kPa — Maximum recommended pressure is 500 kPa.
- Check the installation carefully for leaks.
- If further building work is to be carried out in the vicinity of the tapware, it should be covered to prevent paint, adhesive, etc. from damaging the surface.

Spare Parts list Model : Z2214



Spare Parts list Model : Z2214

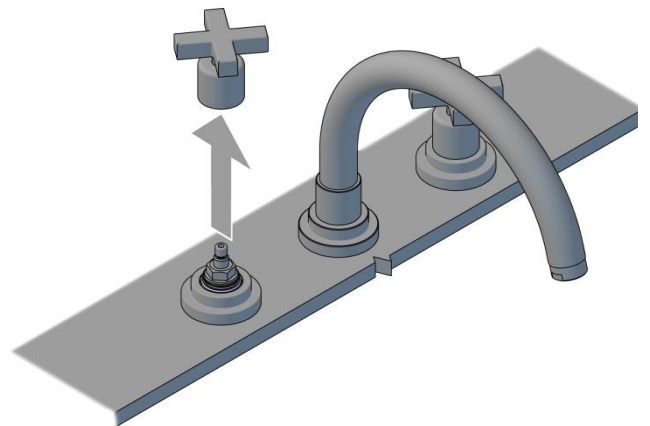
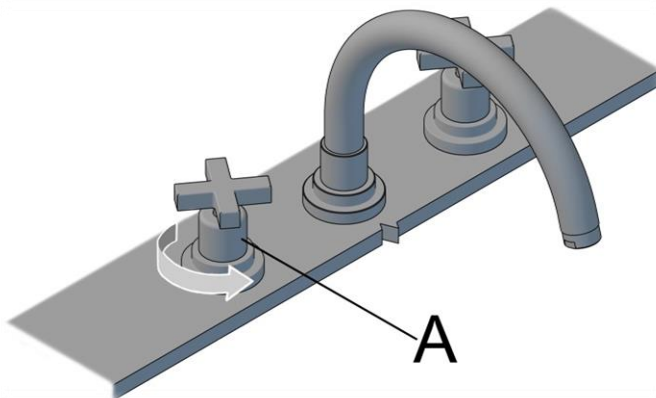
36	Handshower	CW614N UNI EN12164 + CW617N UNI EN 12165
35	Curved joint	CW614N UNI EN12164 + CW617N UNI EN 12165
34	Curved joint holder	CW614N UNI EN12164
33	Shank	CW614N UNI EN12164
32	Washer	CLOSED CENS RUBBER
31	Counterweight	LEAD
30	Nylon flexible hose	CW614N UNI EN12164 + NYLON + RUBBER
29	Check valve holder	CW614N UNI EN12164
28	Check valve	PLASTIC
27	Washer	CLOSED CENS RUBBER
26	Aerator	CW614N UNI EN12164 + PLASTIC + RUBBER
25	Spout	CW508L UNI EN12449
24	Body	CW617N UNI EN12165
23	O-Ring	NBR70
22	Plug	CW510L-CuZn42(0T57-USA) + NBR N70 45003022
21	Lengthen nut	CW614N UNI EN12164
20	Threaded pivot	STAINLESS STEEL
19	Half-moon ring nut	CW617N UNI EN12165
18	Washer	CLOSED CENS RUBBER
17	Stainless steel flexible hose	STAINLESS STEEL + RUBBER
16	Diverter	CW614N UNI EN12164 + CW617N UNI EN12165 + PLASTIC + RUBBER
15	Stainless steel flexible hose	STAINLESS STEEL + RUBBER
14	Body of rest	CW511L-CuZn38As (ADZ-USA) + NBR N 70 45 003 022
13	Washer	RUBBER
12	Lock nut	CW617N UNI EN12165
11	Disc	CW614N UNI EN12164
10	Handle	CW614N UNI EN12164 + CW617N UNI EN12165 + Hostalform C9021 Natural CF 2001
9	Washer	LSR LS70T-0301
8	Fixed ceramic disc	Allumina Ceramic- -Rubalit A1896
7	Movable ceramic disc	Allumina Ceramic- -Rubalit A1896
6	Movable plate dragger	Hostalform C9021 Natural CF 2001
5	O-ring	NBR N70 45 003 022
4	O-ring	NBR N70 45 003 022
3	Body valve	CW511L-CuZn38As (ADZ-USA)
2	Seeger	Phosphorus bronze
1	Valve rod	CW511L-CuZn38As (ADZ-USA)

Care and Maintenance Instructions Model : Z2214

Removing and replacing a handle

MODEL SHOWN :Z2214

- 1 ▪ Loosen and unscrew the retaining flange A, from the tap body.
- 2 ▪ Once totally loose, simply remove the handle from cartridge spline.



- 3 ▪ To reassemble, reverse the disassembly procedure, given above.
- The retaining flange only needs to be hand tight.

NOTE: DO NOT USE A SHIFTER TIGHTEN BY HAND ONLY !

Do not over tighten as this could damage the ceramic cartridge!

NOTE: At any time, should the handle feel loose, retighten the retaining flange.

See our video: <https://youtu.be/PUBD3GHgg58>

Available replacement handles:

-27 Monte Carlo Handle

-29 Mac Kinley 05 Handle

Care and Maintenance Instructions Model : Z2214

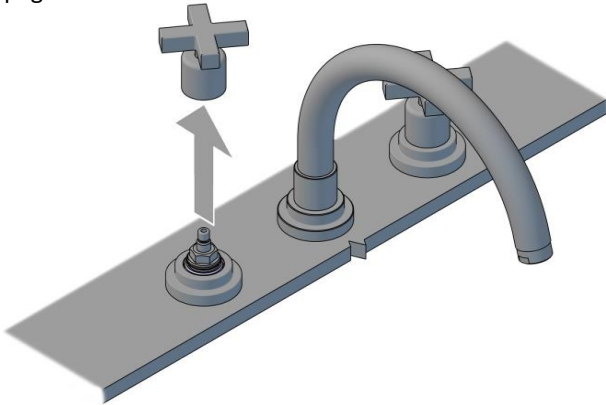
MAINTENANCE FOR FIVE HOLE/THREE LEVER TAPWARE

INSTRUCTIONS FOR REPLACEMENT OF THE HOT OR COLD CARTRIDGE

Do not replace the cartridge if there is low flow or no flow. Low flow or no flow is caused by obstruction or kinking of supply hoses.

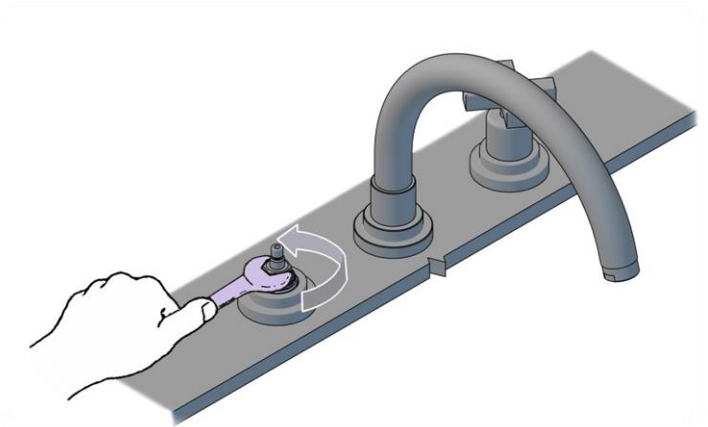
1

- Turn off the hot and cold supply lines to the tap set. (Not shown).
- Remove the handle and retaining flange. Refer to "Removing and replacing a handle" section, page 10.



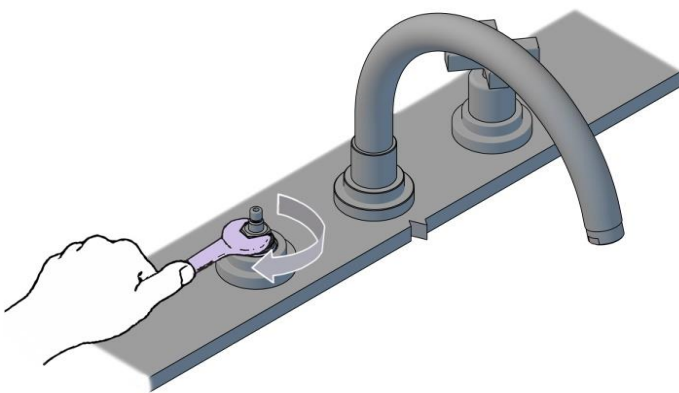
2

- Remove the cartridge with a smooth jawed 17mm shifter.



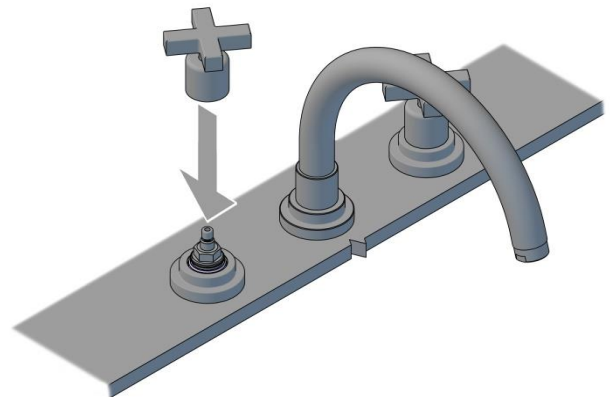
3

- Install new cartridge.
- Secure the cartridge with a smooth jawed shifter.



4

- Install lever and retaining flange. **DO NOT USE A SHIFTER TIGHTEN BY HAND ONLY!**
- Turn on supply lines and test for leaks. (Not shown).



Note: Do not over tighten as this could damage the ceramic cartridge!

Continue.....

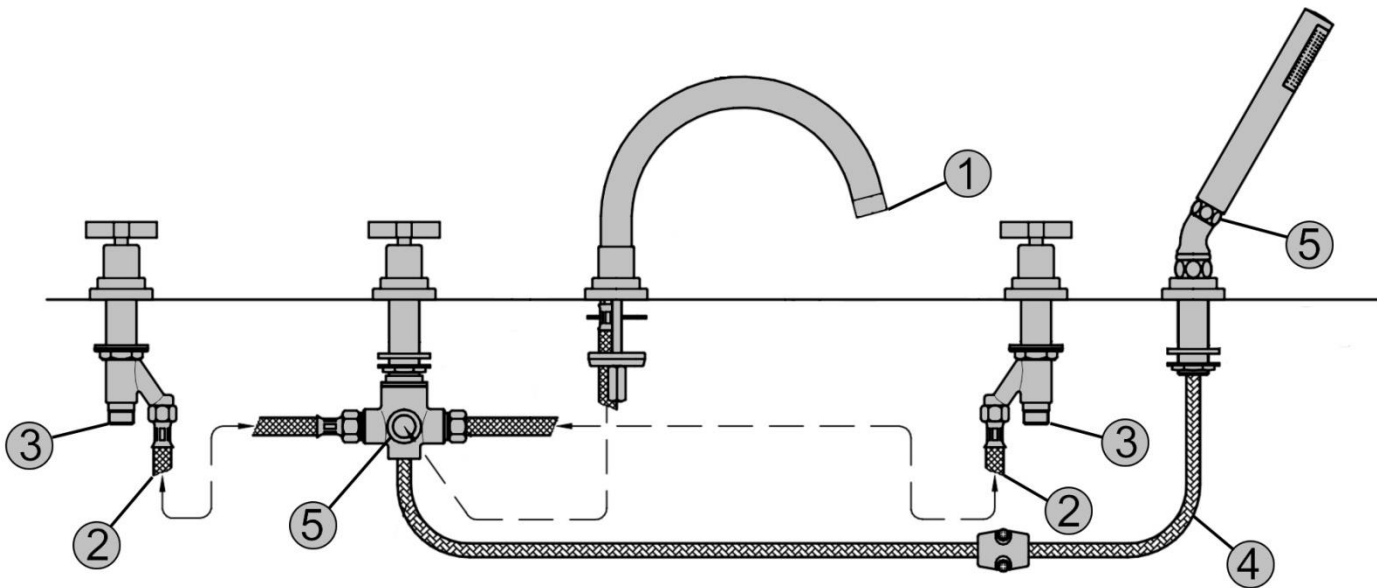
Care and Maintenance Instructions Model : Z2214

LOW FLOW OR NO FLOW TROUBLESHOOTING INSTRUCTIONS

Current bathroom taps have a max flow rate of 7 Litres per minute from the aerator and the hand spray.

If you are experiencing low flow from the spout: **Do not change the cartridge**

- Unscrew and clean the aerator -1
- Unscrew and clean the filters inside the supply connections- 3
- Check the supply lines for kinks or obstructions-2,3 and 4.
- Ensure that the Check valves are functioning correctly 5.
- Make sure the supply line stops are fully on. (Not shown.)



Care and Maintenance Instructions Model : Z2218

Care of external finishes

Nicolazzi products are all authentic finishes that have not been coated with any product. After each use, pat the fixture down to remove any excess water. This will prevent any water spotting or mineral build-up. Use only soft liquid soap and water to clean the surface. Use a soft brush to clean any gaps. Avoid any products that have ammonia or alcohol like Windex, Jif or Ajax. These products can damage the finish leaving black or white spots. Never use on abrasive products on tap ware or this will void the warranty.

Live Finishes DO NOT carry a warranty as they are living finishes and will change over time.

Raw Brass, Brush Brass (To make the brass lighter again rub the brass tap with lemon juice, this will lighten the dark colouring).

Shiny Brass, Polished Nickel has an ageing process and will tarnish over time.

Tuscan Brass is a living finish and also carries NO warranty. It will lighten with use. To extend the life of the finish, apply Bruno's Wax by patting it on, letting it dry and patting it off. Never rub or buff this finish.

WARNING: The use of cleaning products not recommended might irreparably harm the surfaces of the tap, which in such cases are not covered by our warranty.

Lime scale build up

The tap is fitted with an aeration device in the Hot/Cold water outlet.

This may need occasional cleaning especially in hard water areas.

This is accomplished by unscrewing the outlet in a counter clockwise direction, dismantling and leaving the inner screen mesh immersed over night in vinegar