



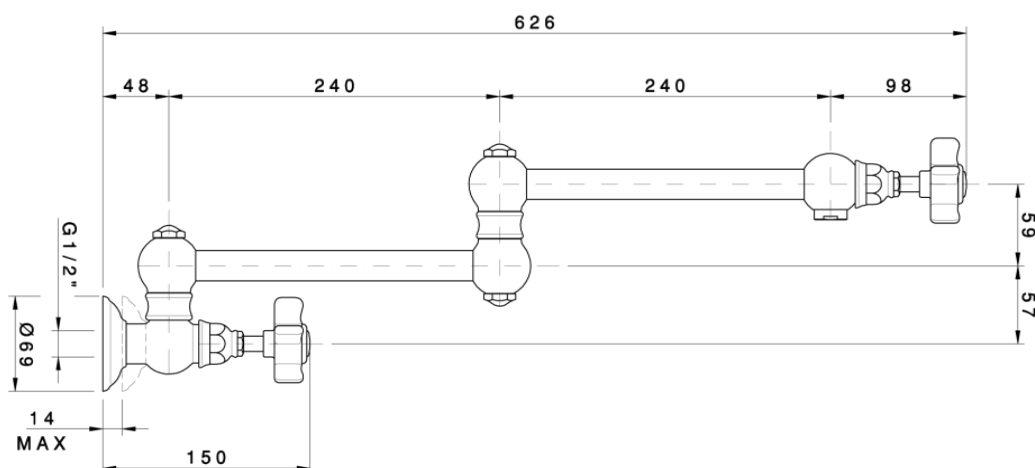
OFFICINA  
**NICOLAZZI**  
DAL 1960



**WALL MOUNTED POT FILLER WITH SWIVEL ARM**

**Art: Z1451 TOSCANA MURO**

## Specifications



### Available replacement handles:



- El Capitan Handle



- 78 Mont Blanc Handle



- 18 Dame Anglaise



- 70 Half Dome

- Handmade in Italy since 1960
- 1/4 Turn valves handmade at Nicolazzi Factory
- Lead Free Brass Compliant to AZ/NZS 3718
- Suitable even and uneven pressure
- Handles are interchangeable



WaterMark

WM22315

AS/NZS3662

Canterbury Sink & Tap Co.

Max/Min Operating  
Pressure: 100/500kPa

OFFICINA  
**NICOLAZZI**  
DAL 1960

## Important Notice    Model : Z1451

---

### **CAREFULLY READ THROUGH THESE INSTRUCTIONS BEFORE INSTALLATION AND USE OF ALL TAP WARE AND WALL VALVES**

#### **INSTALLATION AND WARRANTY INSTRUCTIONS**

#### **TECHNICAL INFORMATION**

All flexible hoses are designed and manufactured for use with water in exposed locations only. Do not expose to household cleaners, chlorine, chloride, hydrochloric acid or other corrosive chemicals.

All connections with threads M10x1 male must be hand tighten. Do not over tighten. Over tightening may cause damage to the hose.

All tap ware washers and O-rings are designed and manufactured for use with water. Do not expose to household cleaners, chlorine, chloride, hydrochloric acid or other corrosive chemicals.

Our tap ware is designed for use with the temperatures and pressures listed below:

- minimum cold water supply 10 °C
- minimum pressure 100 kPa
- maximum pressure 500 kPa
- maximum fixing torque value = 13.6 Nm

Please note: The recommended pressure for best performance is between 270 kPa and 420 kPa. More pressure than 420 kPa or less pressure than 270 kPa may affect the diverting action in side spray tap ware.

Do not use any Nicolazzi tap ware with sulphurous water.

The minimum temperature for all tap ware is 10 degrees Celcius . Below 10 degrees Celcius will void the warranty.

When available, filter systems must be placed between the cold supply line and the tap ware.

Don't modify the tap ware and their components.

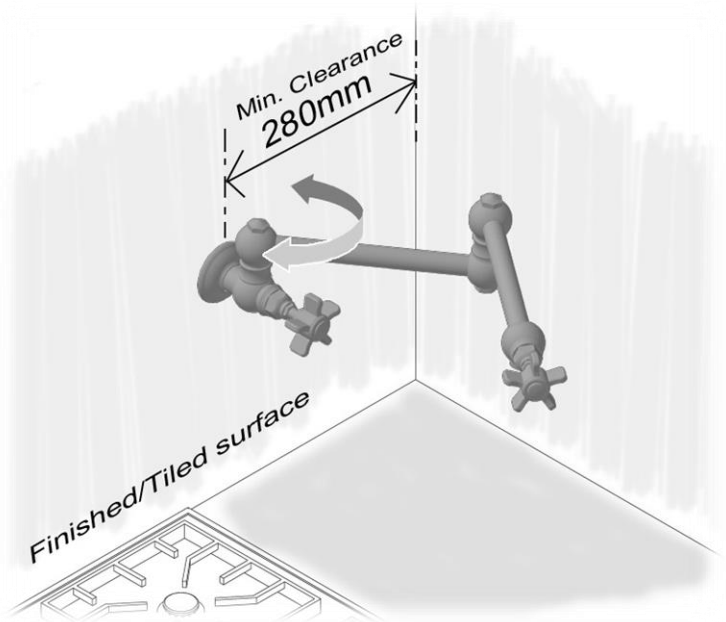
Use only original spare parts if there are replacements to be ordered. Installation must be made by authorized plumbers or installers. Improper installation or diagnosis of problems is not covered by the warranty. Yearly maintenance of cleaning and flushing is recommended.

Operation and use of any tap ware or wall valve that do not conform to these technical instructions will void the warranty.

# Installation Instructions    Model : Z1451

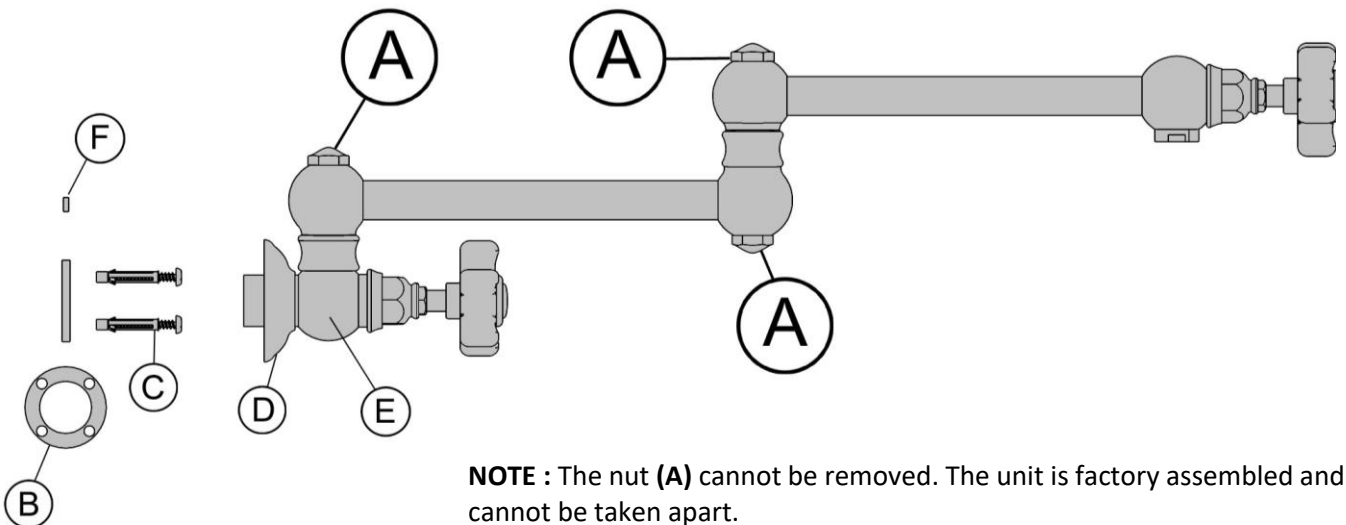
## 1 Preparation

- Allow a minimum clearance of **280mm** to allow for the swivel movement of the arms.
- Flush out the pipework to remove any foreign matter.



## 2

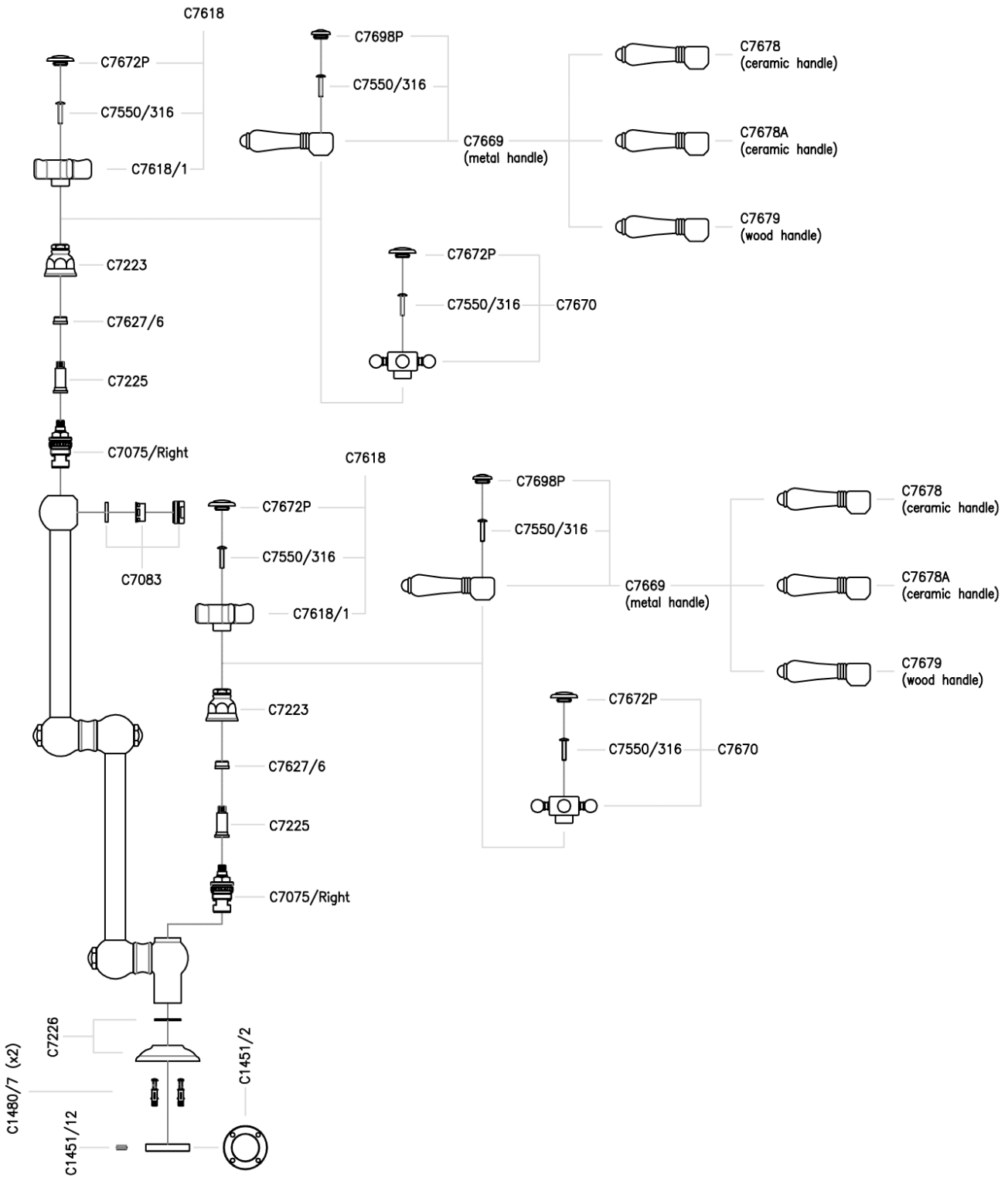
- Fix the disc (B) on the wall with the universal plug (C).
- Connect the tap (E) to side valve inlet, but ensure the cover plate (D) is placed on the tap prior to connecting.
- Fix the tap at the disc (B) and secure with the dowel (F).
- Slide the cover plate (D) onto the wall.
- Ensure all connections are firmly tightened, and open the water supply.
- Check for any water leaks.



**NOTE :** The nut (A) cannot be removed. The unit is factory assembled and cannot be taken apart.

Attempts to disassemble the unit will void the warranty.

# Spare Parts list Model : Z1451



## Care and Maintenance Instructions Model : Z1451

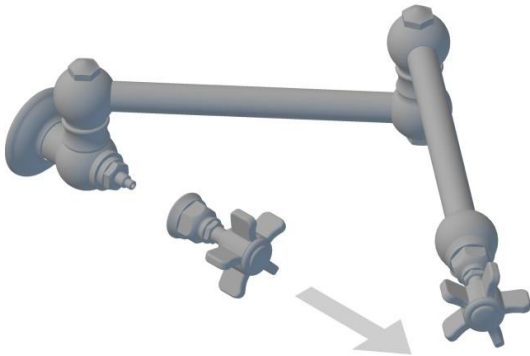
### MAINTENANCE FOR WALL MOUNT POT FILLER TAP

#### INSTRUCTIONS FOR REPLACEMENT OF THE C7075 ¼ TURN CARTRIDGE

Do not replace the cartridge if there is low flow or no flow. Low flow or no flow is caused by obstruction or kinking of supply hoses.

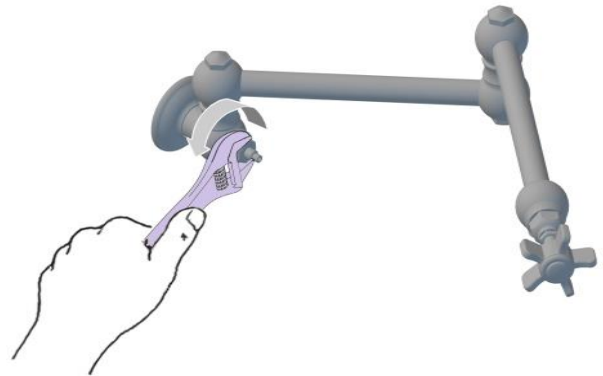
①

- Turn off the water supply line to the tap. (Not shown).
- Loosen and unscrew the retaining flange **A**, from the tap body.



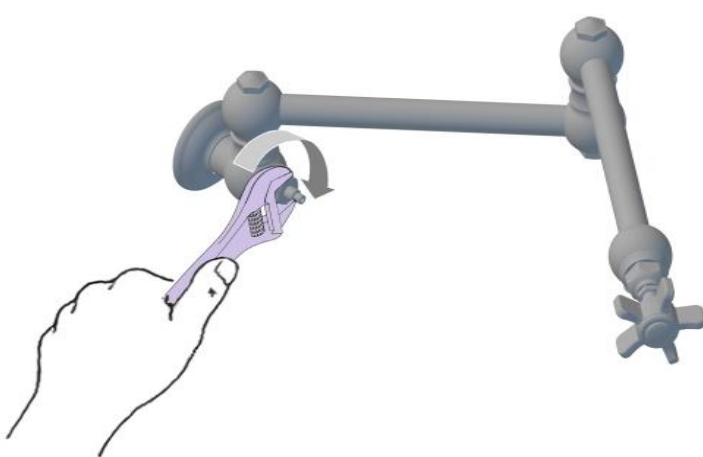
②

- Remove the handle and retaining flange. See “**Handle changing section**”.
- Remove the cartridge with a smooth jawed 17mm shifter.



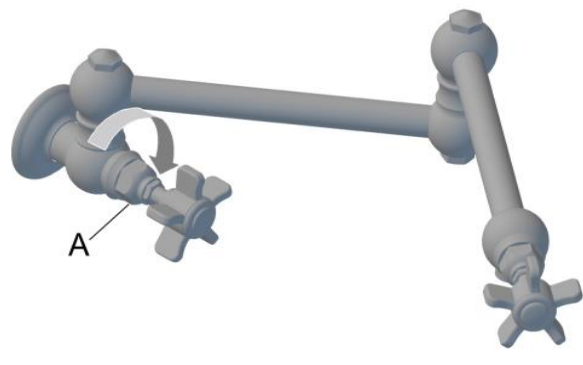
③

- Install new cartridge.
- Secure the cartridge with a smooth jawed shifter.



④

- Install the handle and retaining flange **A**, and hand tighten only!
- Turn on supply line and test for leaks. (Not shown).



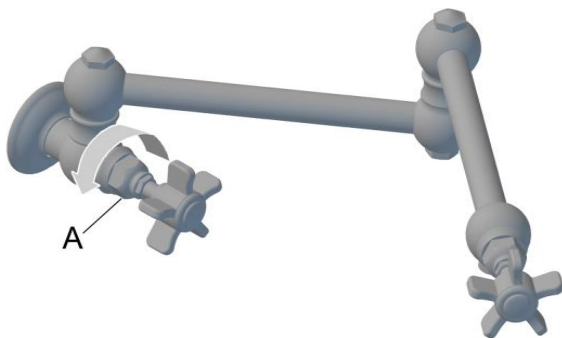
**Note:** Do not over tighten as this could damage the ceramic cartridge!

## Care and Maintenance Instructions Model : Z1451

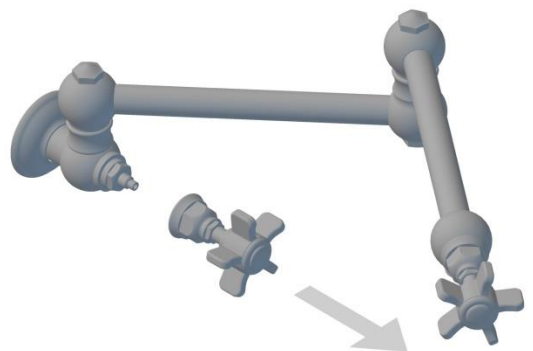
### Removing and replacing a handle

MODEL SHOWN : 1451

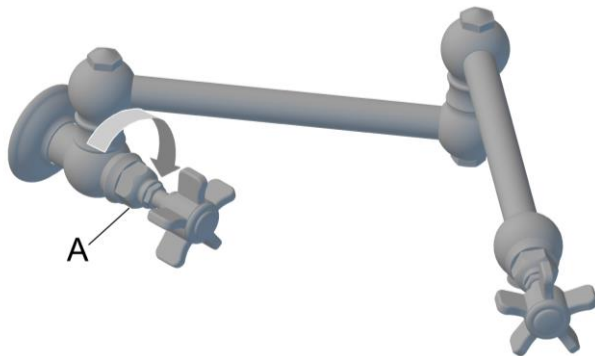
- 1 ▪ Loosen and unscrew the retaining flange A, from the tap body.



- 2 ▪ Once totally loose, simply remove the handle and retaining flange from cartridge spline.



- 3 ▪ To reassemble, reverse the disassembly procedure.  
▪ The retaining flange A only needs to be hand tight.



**Note:** At any time, should the handle feel loose, retighten the retaining screw.

See our video: <https://youtu.be/PUbD3GHgg58>

**Note :** DO NOT USE A SHIFTER TIGHTEN BY HAND ONLY !

Do not over tighten as this could damage the ceramic cartridge!

#### Available replacement handles:

- El Capitan Handle
- 78 Mont Blanc Handle
- 18 Dame Anglaise
- 70 Half Dome

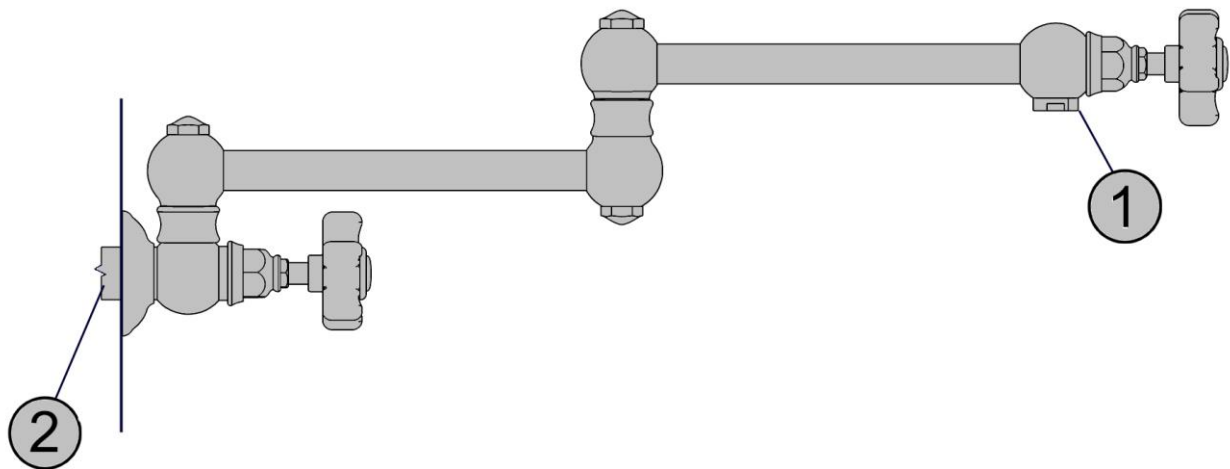
## Care and Maintenance Instructions Model : Z1451

### LOW FLOW OR NO FLOW TROUBLESHOOTING INSTRUCTIONS

Current kitchen taps have a max flow rate of 7 Litres per minute from the aerator.

If you are experiencing low flow from the spout: **Do not change the cartridge**

- Unscrew and clean the aerator - **1**
- Unscrew and clean the filters inside the supply connections (If fitted) - **2**
- Check the supply lines for kinks or obstructions-**2**
- Make sure the supply line stops are fully on. (Not shown.)



## Care and Maintenance Instructions Model : Z1451

---

### Care of external finishes

Nicolazzi products are all authentic finishes that have not been coated with any product. After each use, pat the fixture down to remove any excess water. This will prevent any water spotting or mineral build-up. Use only soft liquid soap and water to clean the surface. Use a soft brush to clean any gaps. Avoid any products that have ammonia or alcohol like Windex, Jif or Ajax. These products can damage the finish leaving black or white spots. Never use on abrasive products on tap ware or this will void the warranty.

Live Finishes DO NOT carry a warranty as they are living finishes and will change over time.

Raw Brass, Brush Brass ( To make the brass lighter again rub the brass tap with lemon juice, this will lighten the dark colouring).

Shiny Brass, Polished Nickel has an ageing process and will tarnish over time.

Tuscan Brass is a living finish and also carries NO warranty. It will lighten with use. To extend the life of the finish, apply Bruno's Wax by patting it on, letting it dry and patting it off. Never rub or buff this finish.

**WARNING:** The use of cleaning products not recommended might irreparably harm the surfaces of the tap, which in such cases are not covered by our warranty.

### Lime scale build up

The tap is fitted with an aeration device in the Cold water outlet.

This may need occasional cleaning especially in hard water areas.

This is accomplished by unscrewing the outlet in a counter clockwise direction, dismantling and leaving the inner screen mesh immersed over night in vinegar