



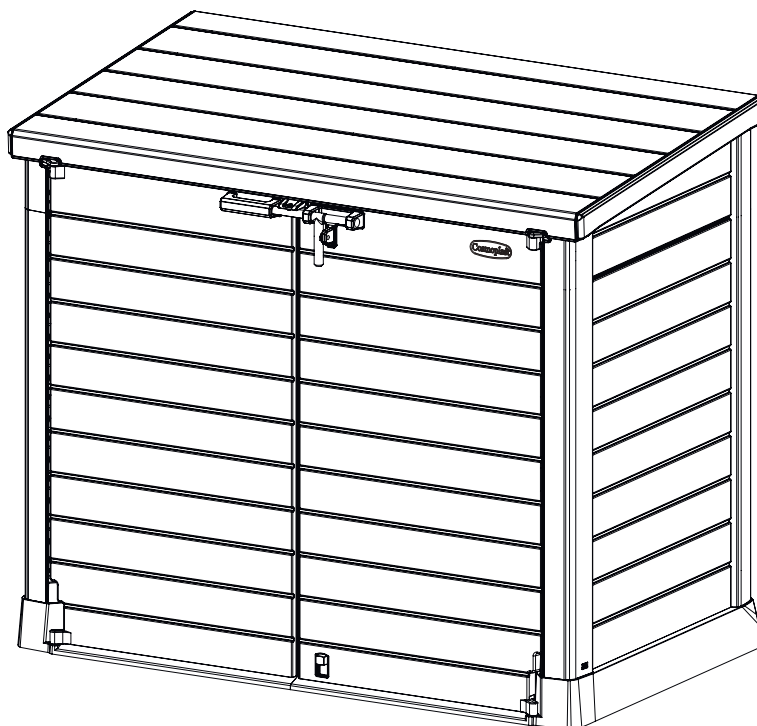
**CEDARGRAIN**  
*Collection*

# User Manual

# **STORAGE SHED**

# **with FLAT LID**

# **1200L**



**WARNING**  
Make sure fingers don't get squeezed  
between parts during assembly

## **⚠ CARE AND SAFETY**

---

- To avoid any sort of damage, read and implement every step in the instruction manual carefully.
- Keep fingers away from connectors to avoid risk of injury during assembly.
- Be careful when handling components, some parts have sharp edges. It is recommended that you always wear work gloves during assembly.
- It is strictly NOT recommended to stand on the roof of the Storage Shed as the force can cause damage to the product and serious injuries to the user.
- Wash using water and mild detergent solution. Do not use a stiff brush or abrasive cleaners as these may stain or damage the Storage Shed.
- Weather and water resistant.
- Lockable with a padlock (Padlock not included in package).
- Integrated support for shelf, in case a shelf is added (Shelf not included in package).
- Do not keep heavy items against the walls, as this may cause distortion.
- Avoid storing flammable, hazardous, and hot items that may deteriorate the plastic.
- It is strictly not allowed for children to play inside the box as it may cause suffocation.
- In case of fire, do not attempt to extinguish any burning polypropylene with water.

## **2-YEAR LIMITED WARRANTY**

---

Cosmoplast has built its reputation through its commitment to bringing quality, durability, and innovation to its products since 1970. We ensure that the product confirms to highest quality and reliability standards before it reaches the customer. However, in case any defect is noticed during assembly or usage, please contact us through email, social media, or by phone. Our warranty is valid for two years from the initial date of purchase, and a proof of purchase should be presented. Damages caused by: Use of force, incorrect assembly, use of heat, neglect, spilling any form of hazardous liquid, storing above capacity, and natural disasters are excluded from the warranty.

## **PRODUCT LIABILITY CLAUSE**

---

Cosmoplast shall not be responsible for any injury caused to the user during assembly, usage, and possession.

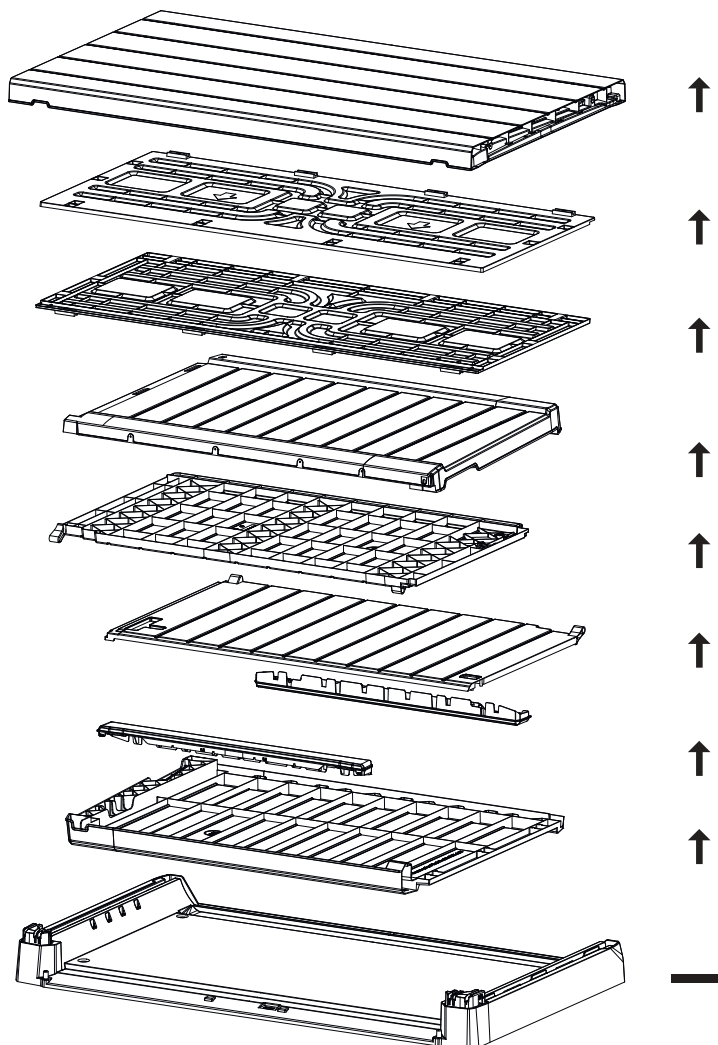
Parts	Pieces
Flat Cover Cap (FCC)	2
Flat Top Cover (FTC)	1
Front Door Left (FDL)	1
Front Door Right (FDR)	1
Side Cover Left (SCL)	1
Side Cover Right (SCR)	1
Back Cover (BC)	2
Base (B)	1
Front Door Hinge Left (FDHL)	1
Front Door Hinge Right (FDHR)	1
Bottom Slide (BS)	1
Bottom Hinge (BH)	1
Handle (HD)	1
Hinge and Hinge Bracket (HHB)	1

Parts	Pieces
Top Cover Lock (TCL)	1
Hook (HK)	2
Bottom Hook (BHK)	2
Damper Cylinder (DC)	2
Chain (CH)	2
Metal Rod (MR)	1
Self-tapping Screws (S) 24mm	45

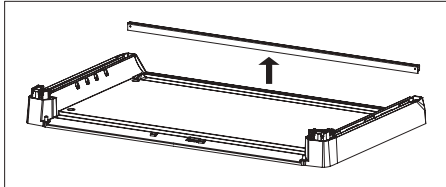
Please contact Cosmoplast if you have any problem or discover any missing parts.

For further identification of the parts, please refer to the engravings of the part names on the inner side of the parts.

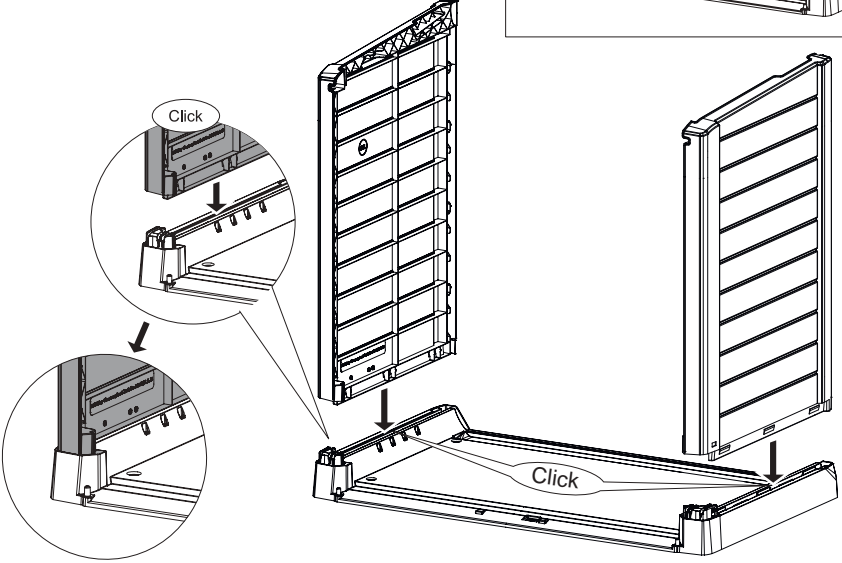
### Unpacking



1



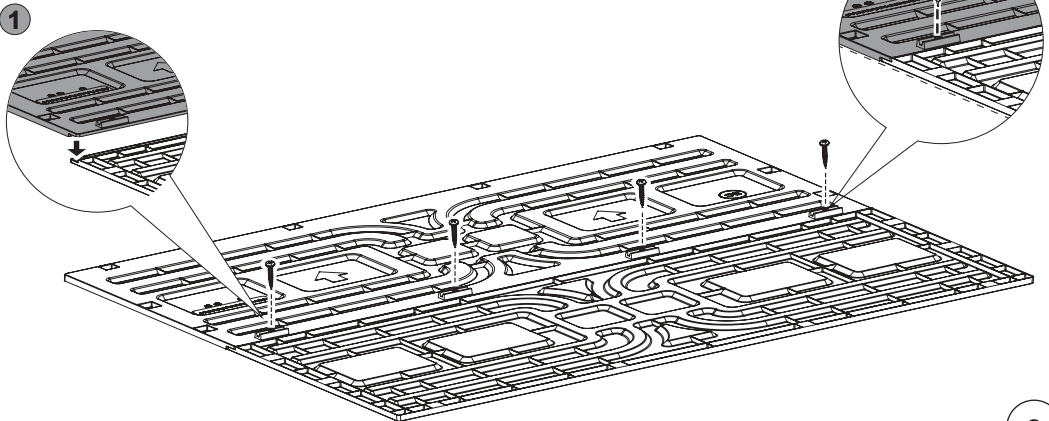
Note: Remove the Metal Rod and set it aside; it will be used in Step 4.



Parts Required

**B** x 1 **SCR** x 1 **SCL** x 1

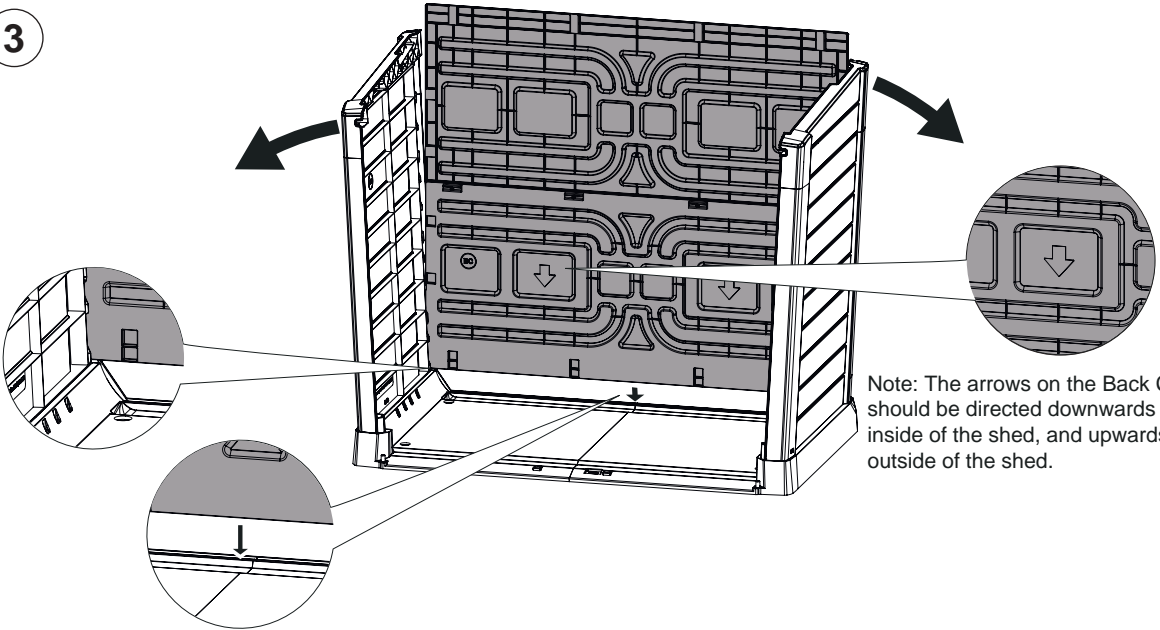
2



Parts Required

**S** x 4 **BC** x 2

3

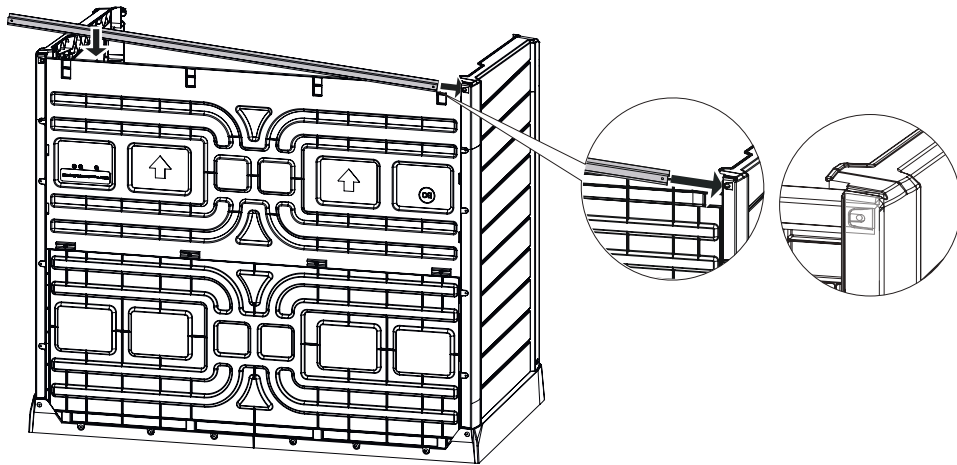


Note: The arrows on the Back Cover (BC) should be directed downwards from the inside of the shed, and upwards from the outside of the shed.

Parts Required

**BC** x 2

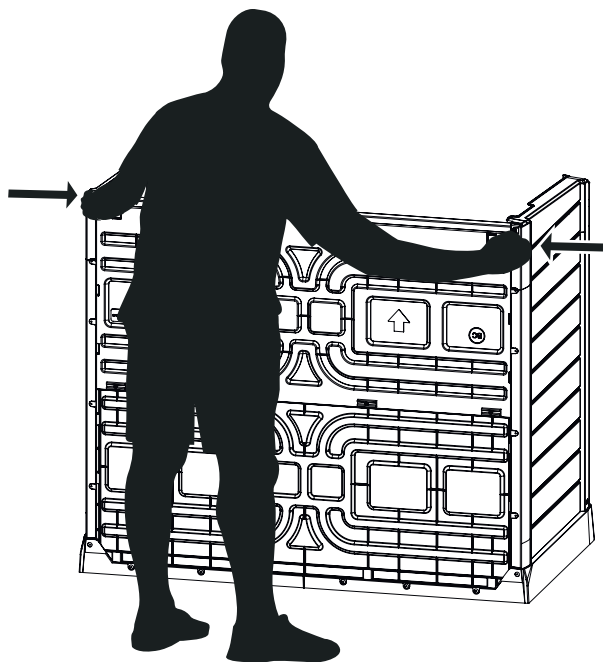
4



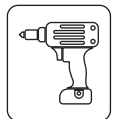
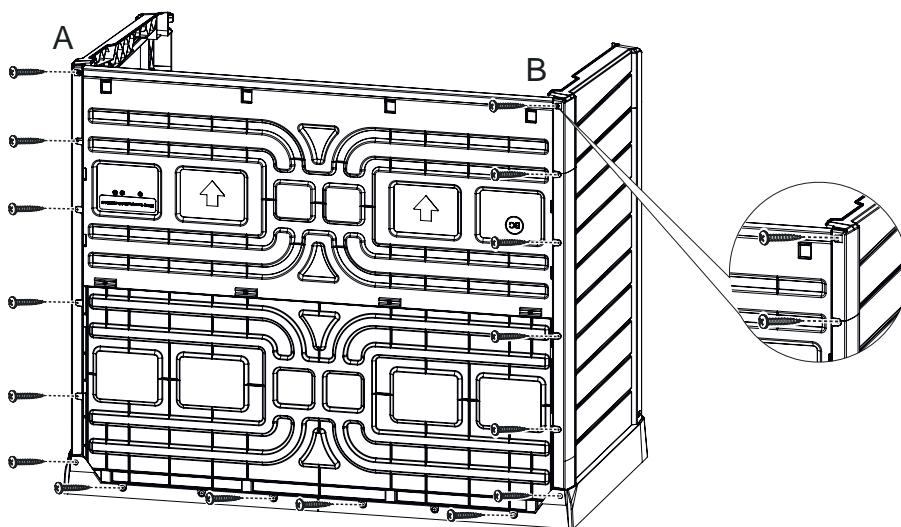
Parts Required

MR x 1

5



6

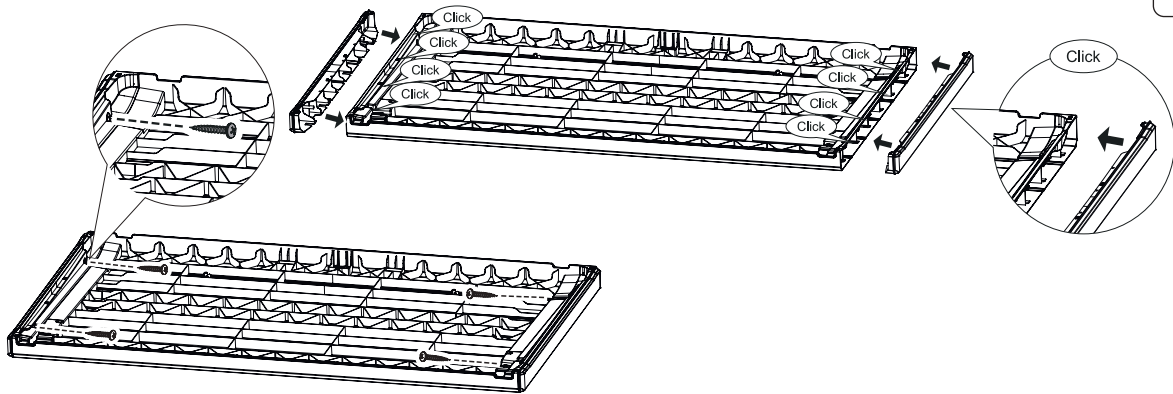


Parts Required

S x 16

Note: Fasten the screws in positions A & B first to secure the alignment of the Side Covers.

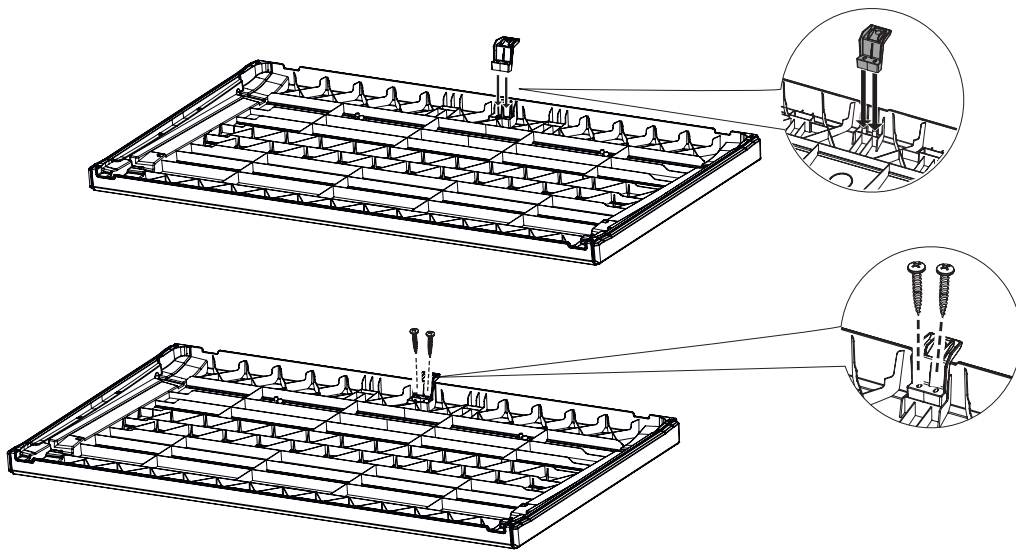
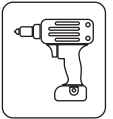
7



Parts Required

FCC x 2 S x 4

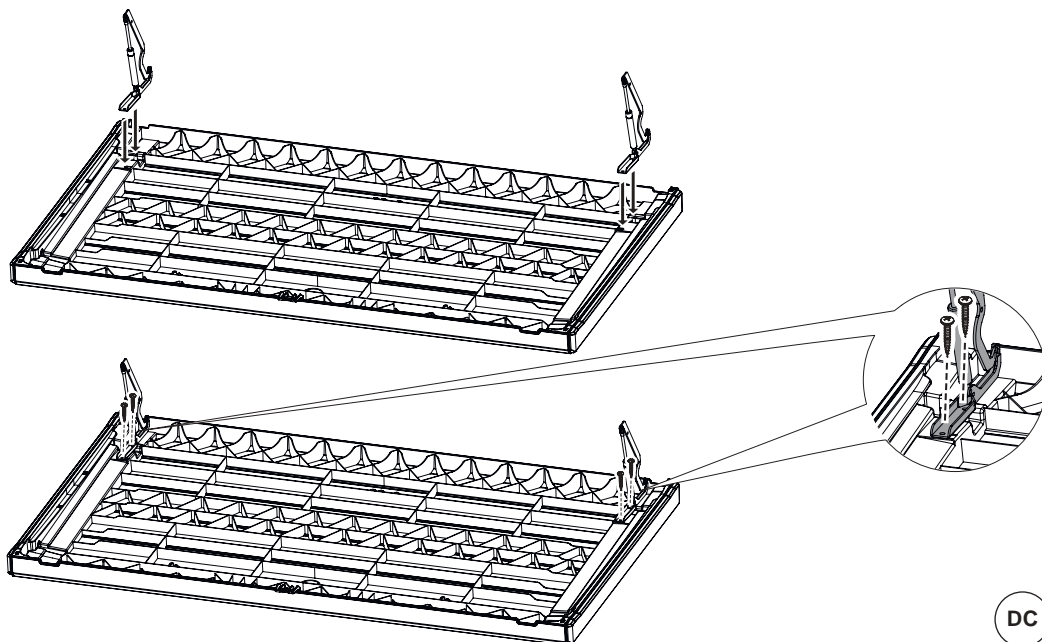
8



Parts Required

TCL x 1 S x 2

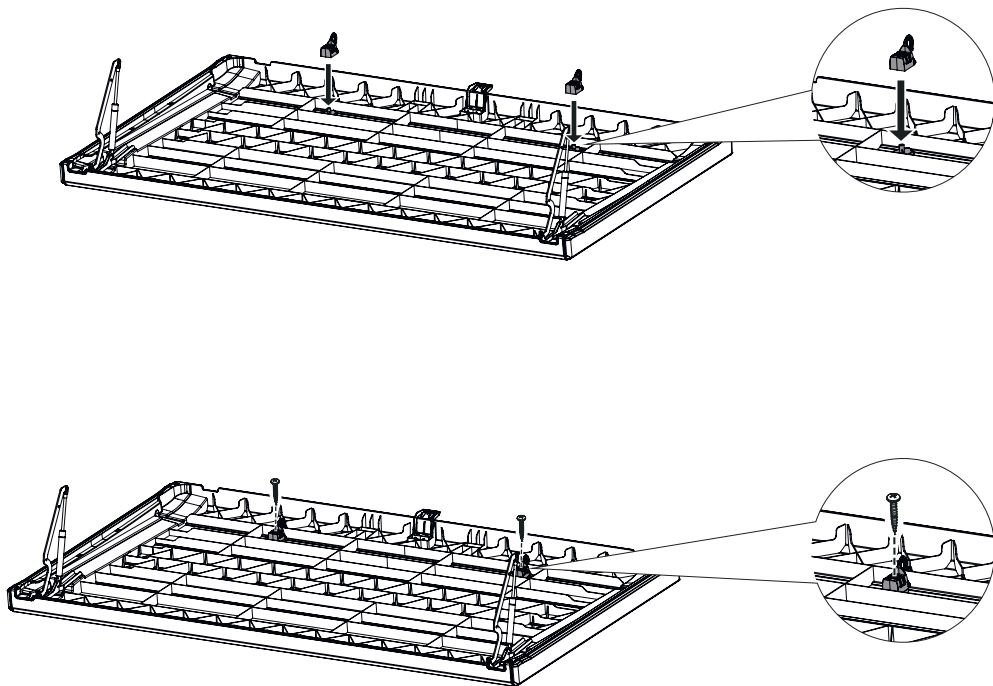
9



Parts Required

DC x 2 S x 4

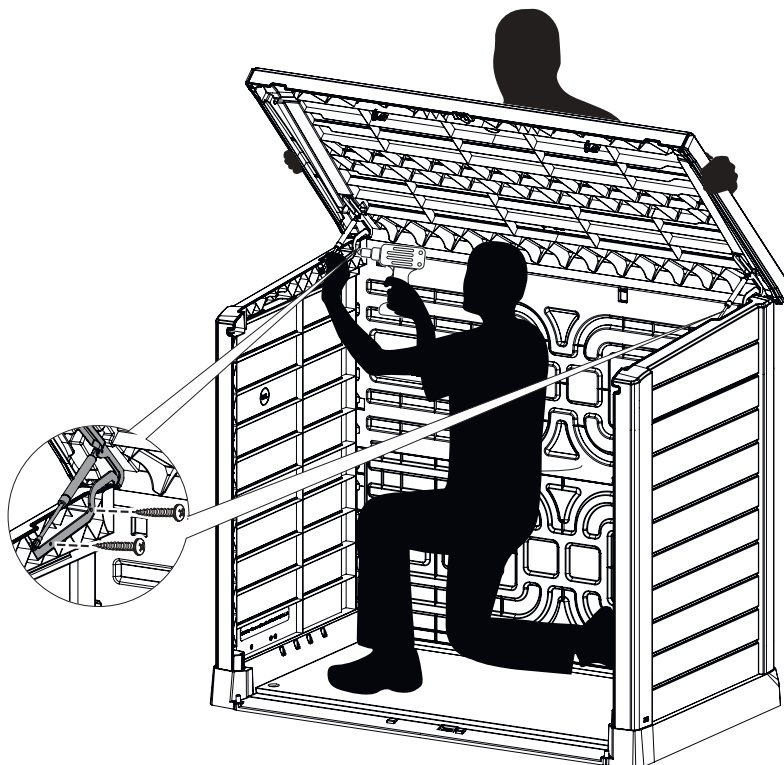
10



Parts Required

HK x 2 S x 2

11



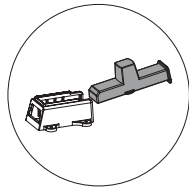
Parts Required

S x 4

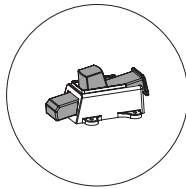


12

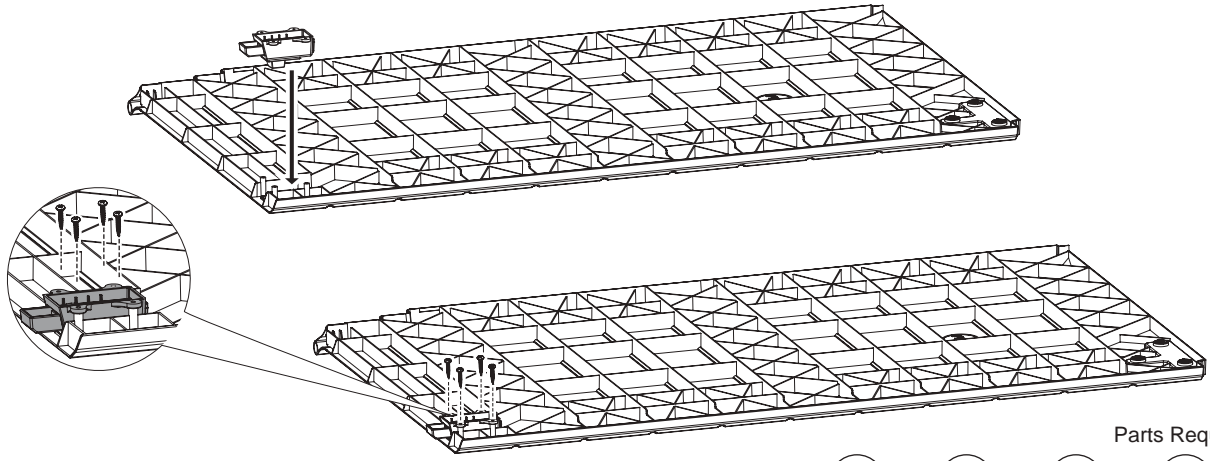
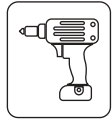
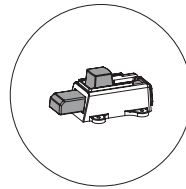
1



2



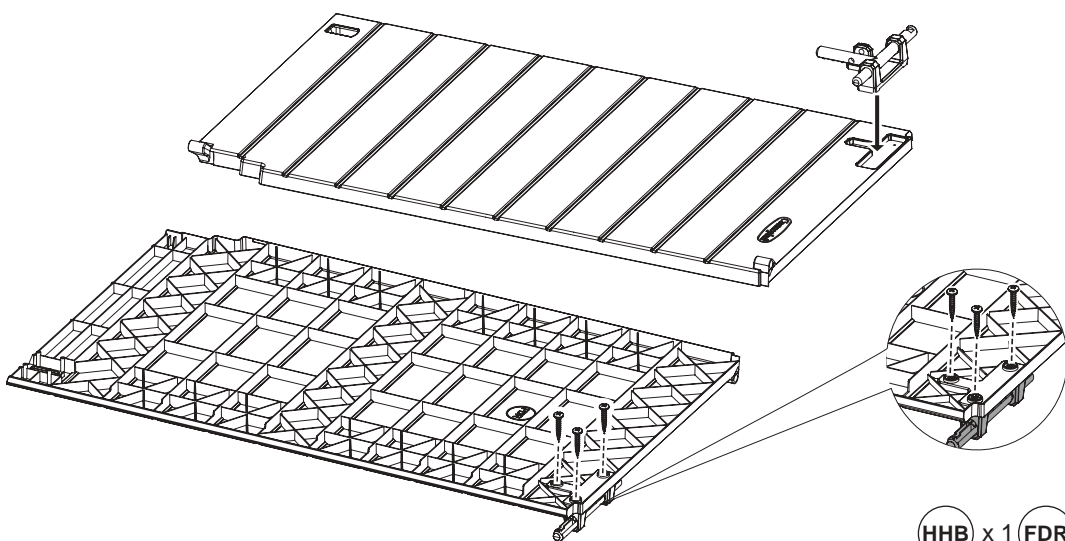
3



Parts Required

**BH** x 1 **BS** x 1 **FDR** x 1 **S** x 4

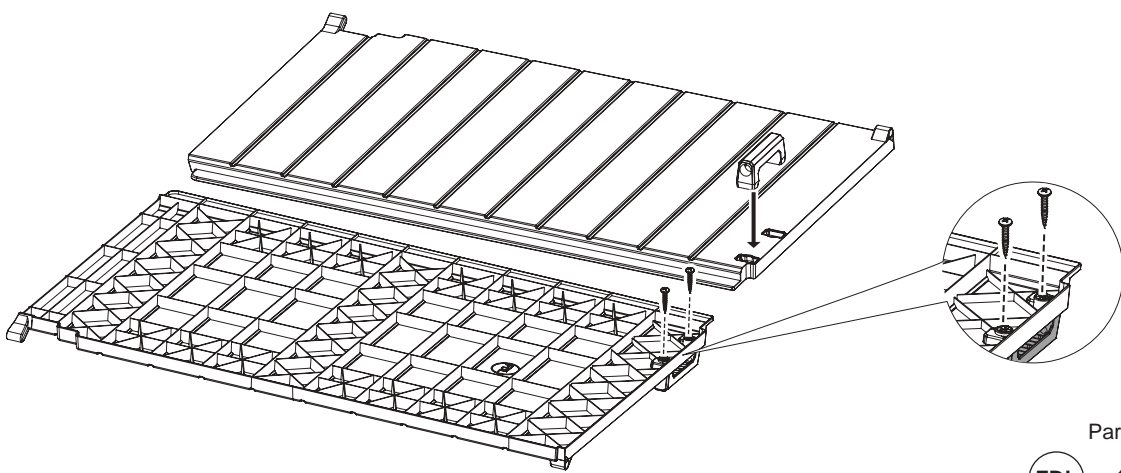
13



Parts Required

**HHB** x 1 **FDR** x 1 **S** x 3

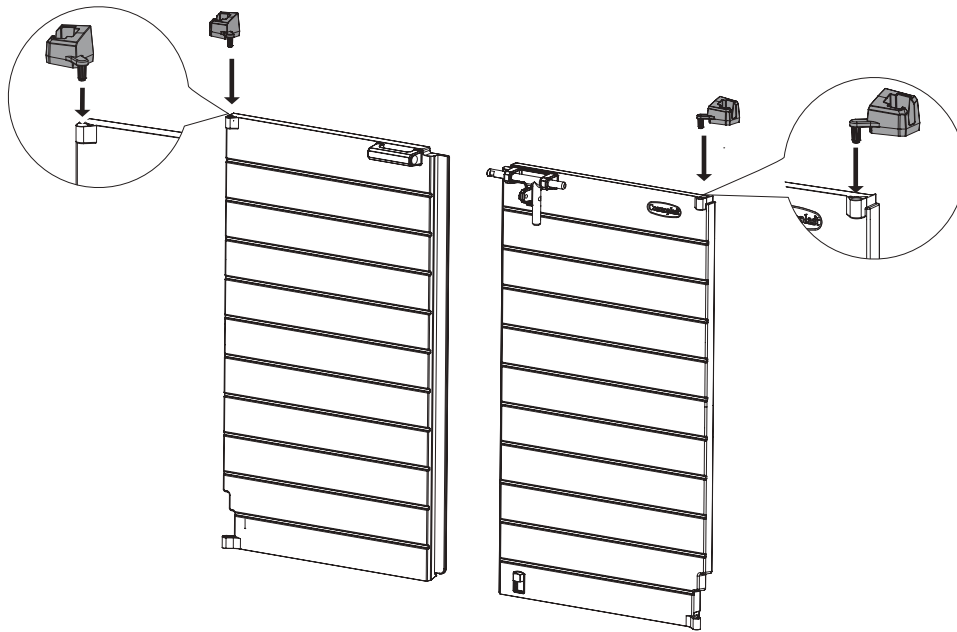
14



Parts Required

**FDL** x 1 **S** x 2

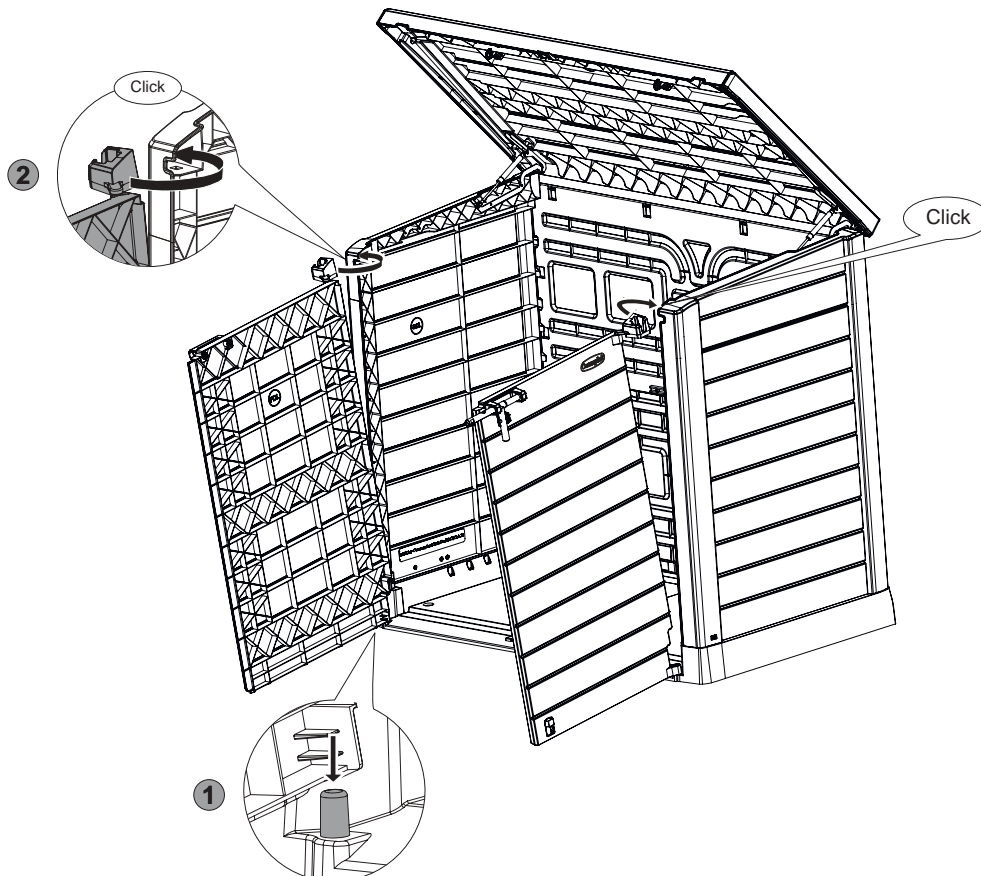
15



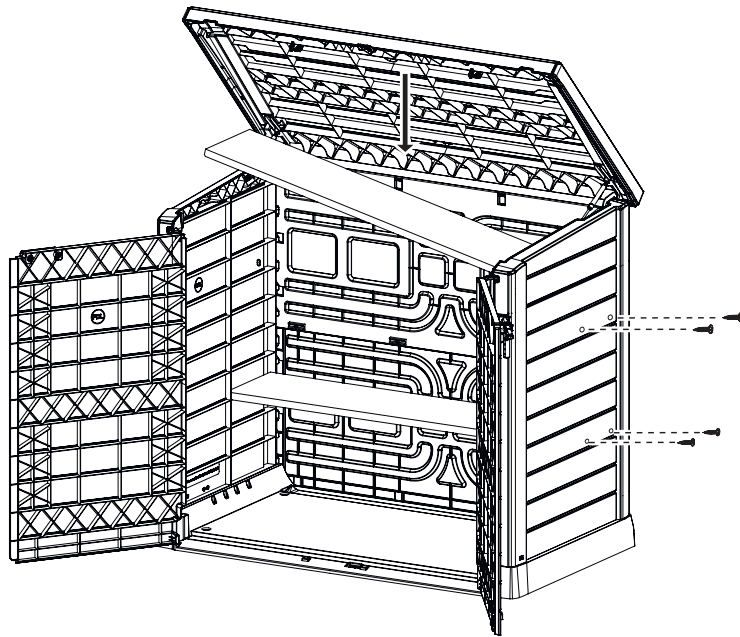
Parts Required

FDHL x 1 FDHR x 1

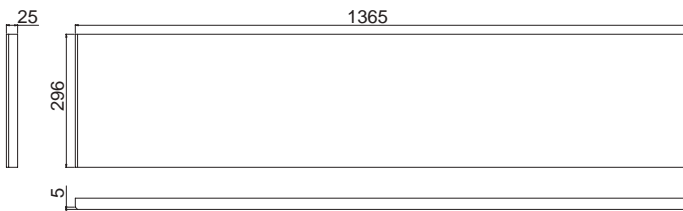
16



17 Optional DIY Custom Shelves Installation

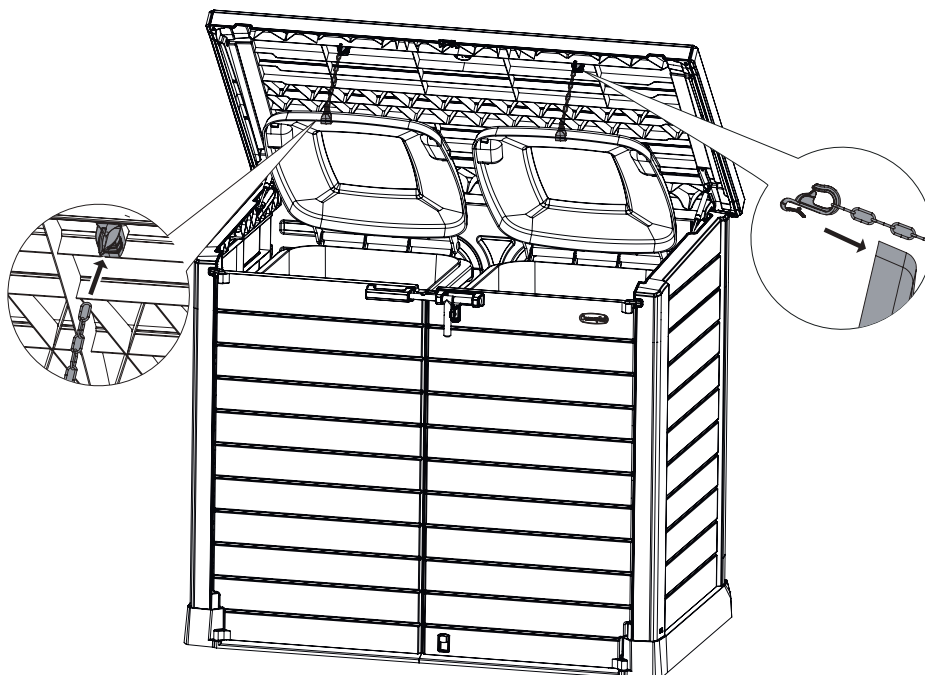


Shelves and screws are not included in the packing. Mark the locations of the screws to align each shelf, and screw tightly in position.



It is recommended to use 4 screws per shelf (2 on each side).

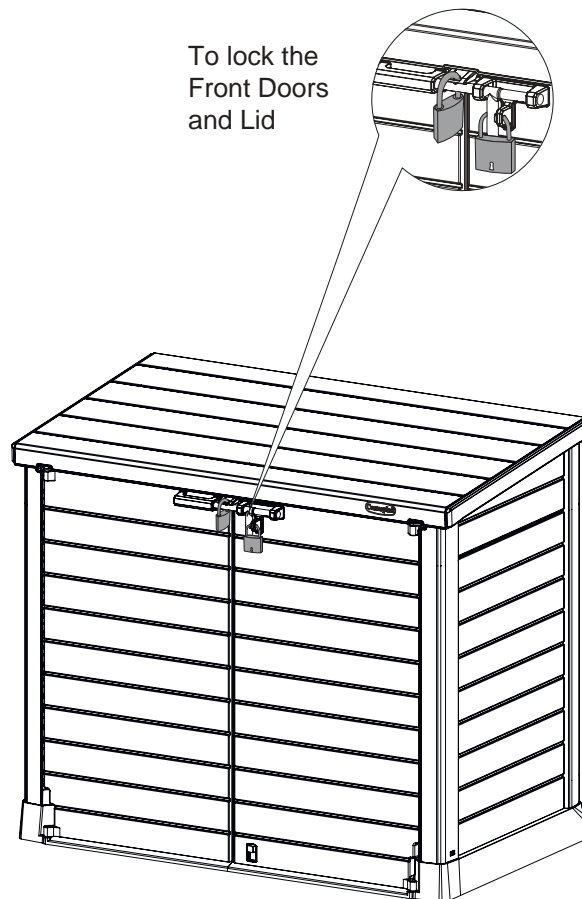
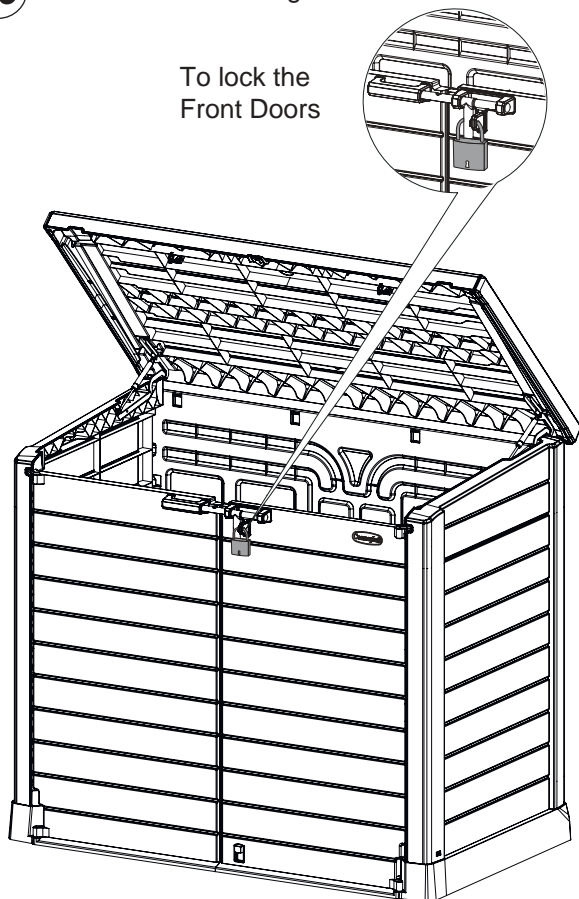
18



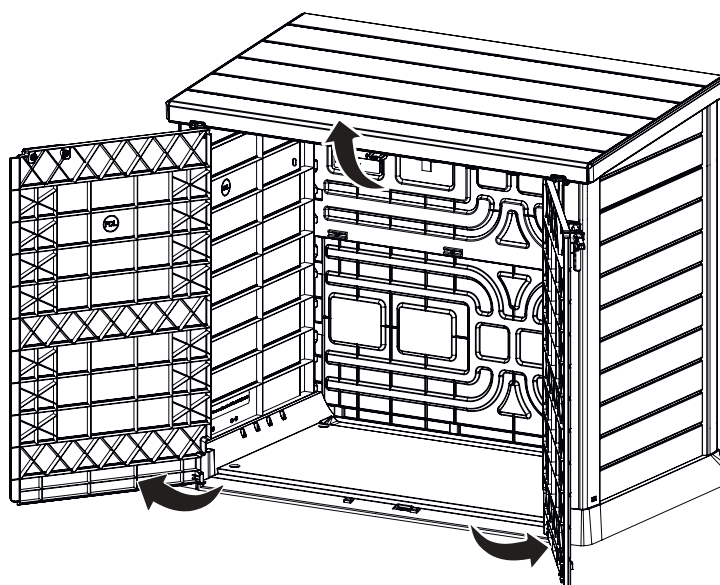
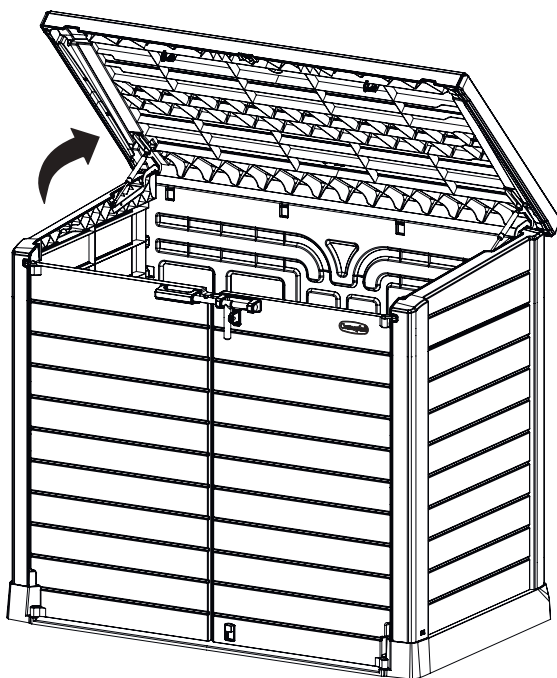
Note: This shed can fit up-to 2 240L waste bins (bins are sold separately).

Parts Required  
BHK x 2 CH x 2

**19** Directions of Locking



**20** Directions of Use



Manufactured by: **Cosmoplast Industrial Co. LLC**, Sharjah, United Arab Emirates

Contact Us: ☎ +971-4-8800333 ✉ cplast@cosmoplast.com

P.O Box: 50488, Dubai, United Arab Emirates

📘 CosmoplastOfficial 📷 CosmoplastOfficial 📺 CosmoplastOfficial 🌐 www.cosmoplast.com

Made in United Arab Emirates