

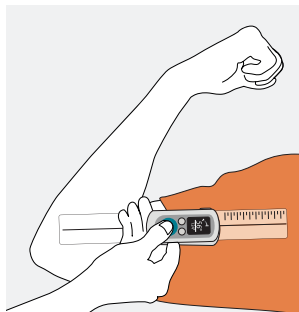


## New standard for joint assessment

EasyAngle is the most versatile digital goniometer on the market. It addresses the limitations of several traditionally used tools such as plastic goniometer, CROM devices, BROM devices or inclinometers. Its intelligent ergonomic design and light weight enable seamless one-hand operation, allowing you to guide the clients movement, while eliminating compensatory patterns. Thousands of physiotherapists, chiropractors, occupational therapists and strength and performance coaches use EasyAngle as part of the initial client assessment, for follow-ups, treatment planning or return-to-sports assessment.

- **Designed for one hand operation** – enabling support of patient
- **Easy to read display** – convenient for showing the results to your clients
- **Saves the last 5 measurements** – no more scribbling angles on paper
- **Can be used for all joint measurements** – including rotations

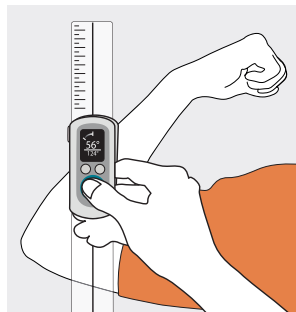
### The EasyAngle workflow



Align the device with the first limb and click the button.



Align the device with the second limb and click the button



The joint angle is calculated and displayed.



**EasyAngle**

*Motion measurements  
made easy*

**easyangle**

Measurements made easy

**meloq**

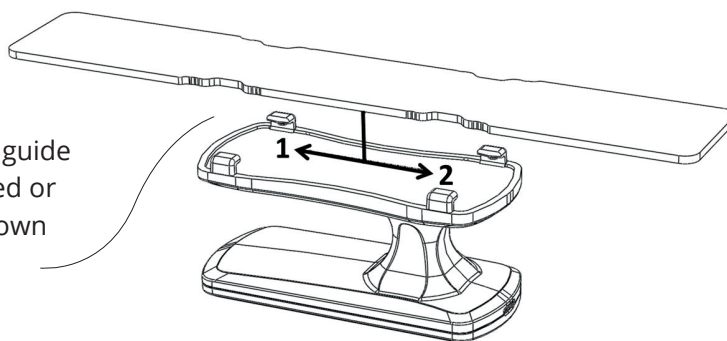
# Technical specifications

Specifications product:	EasyAngle
Operating environment	Not for home use
Operating temperature	0°C to 45°C
Enclosure	IP4X
Operating time*	2 weeks
Stand-by time	11 weeks
Charging time	2 hours
Sensor accuracy	± 1° within 180°
Certification	Certified as a Class 1 medical device according to MDD 93/42/EEC (LVFS 2003:11).

\*Assuming 12 minutes daily usage



The alignment guide can be detached or changed as shown in the image.



If the alignment guide is detached the sensor house is designed for rigid 3 point contact on a spherical surface, such as a head. This can be used for continuous movement measurements.

## EasyAngle kit includes

- 1 x EasyAngle device
- 2 x Alignment guides, 280 and 195 mm
- 1 x USB wall charger
- 1 x USB cable for charging
- 1x Multilingual manual (SE/EN/FI/DK/DE/NL)
- Product video

## New in webshop

- Standard accessory pack for EasyAngle\*  
Enables completely hands free ROM assessment
- \*sold separately

## Product video

[youtu.be/dsfLLOLvHsQ](https://youtu.be/dsfLLOLvHsQ)



Manufactured by Meloq AB

Drottning Kristinas väg 53, Stockholm, Sweden • [info@meloq.se](mailto:info@meloq.se) • [meloqdevices.com](http://meloqdevices.com)

 **meloq**