



## Instructions for Canopy Installation

The optional sun or rain Canopy is easily installed. The canopy has two support tubes on each side that form a V and anchor near the center of the boat. The canopy is held in place by a bow line, two center brackets, and two stern lines.

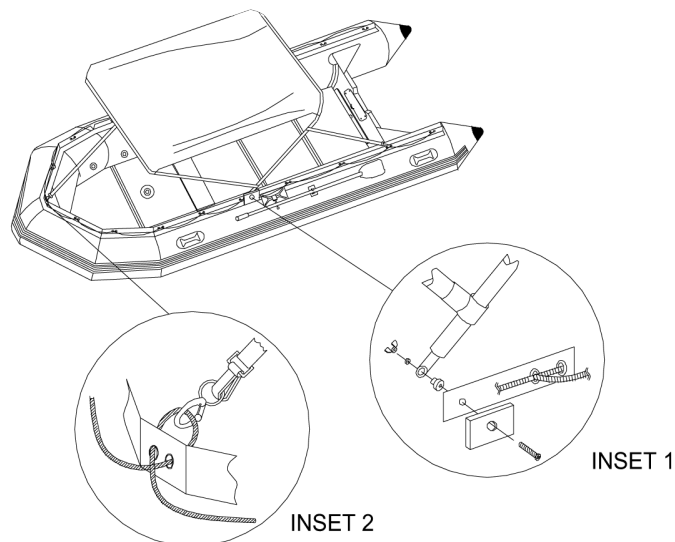
### Canopy Parts List

- Canopy fabric with cutout on underside of bow
- V-Brace with stern strap (2pcs)
- Hardware bag
- Large metal clip (3pcs)
- Bow strap
- Bow tube (with male plugs on each end)
- Stern tube (with female plugs on each end)

### Step 1: Attach mounting bracket to hull

The first step in fastening the canopy to your boat is to make a small hole with a sharp awl in the flange of material on top of the tubes on each side of the boat (see inset 1). Measure 50" forward of the transom and make a small puncture half way up the flange. Remove the hardware bag from your canopy box and attach bracket to the hull as shown above.

*Note: You will be attaching your canopy later to this bracket. For now just attach the mounting bracket without the canopy to make assembly easier.*



**Step 2: Insert curved tubes in canopy fabric**

Remove the two 48" curved tubes from your canopy box, and note that the bow tube has a male plug on each end while the stern tube has two female plugs. Remove the canopy fabric from its plastic container. Note that the bow side of the fabric has a U-shaped cutout in the sleeve to accommodate the bow strap. The bow tube needs to be inserted in the canopy fabric so that the U-shaped cutout in the canopy is facing down, and the snap-lock buttons are facing forward. Insert the bow tube through the bow sleeve of the canopy material up to the cutout. Locate the black bow strap, and slide the bow tube through the loop in the bow strap and then through the other half of the canopy fabric. Insert the stern tube at the stern side of the canopy so that the drilled holes for the snap-lock buttons are facing aft.

**Step 3: Snap V-braces into curved tubes and attach canopy**

Snap the V-braces into the curved tubes that you have just inserted into the canopy. Now place your canopy on top of your inflated Transom Boat so the small bow line is forward and the stern lines are aft. Clip the bow line with the one of the large metal clips to the