

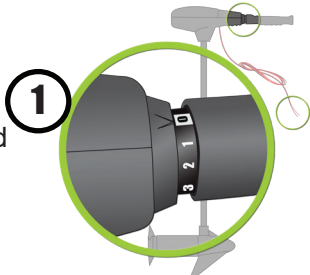
MOTOR SWITCH REPLACEMENT

(866) 721-0002

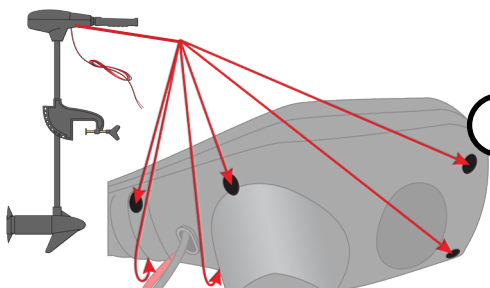
support@newportvessels.com

newportvessels.com/resource-guides/

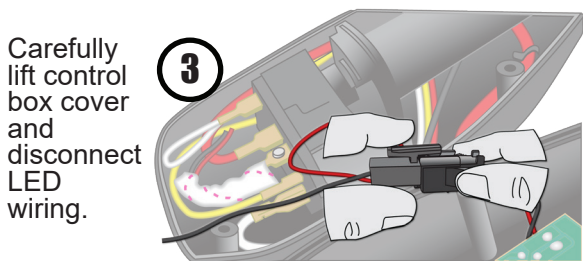
DISASSEMBLY



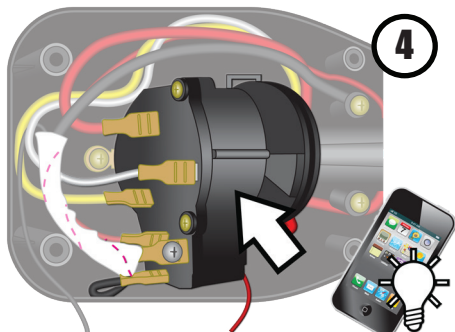
1 Set trolling motor speed to "0" and disconnect from battery.



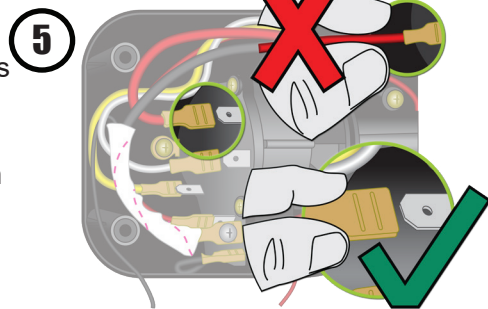
2 Remove screws under the control head.



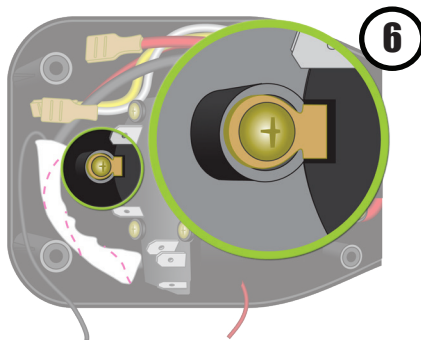
3 Carefully lift control box cover and disconnect LED wiring.



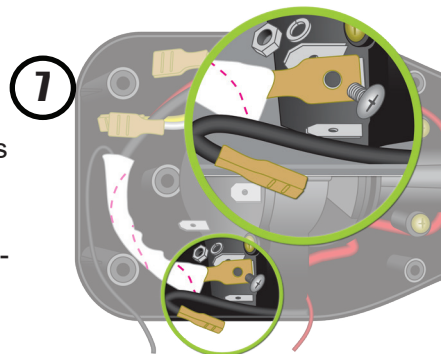
4 This is the control switch.
TIP: Take pictures of wiring and placement for re-installation.



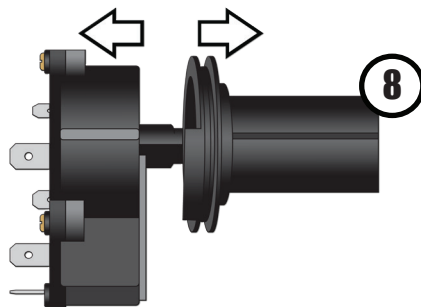
5 Remove wires from their connections, except for the wires with screws.



6 Remove screw and tab located at the bottom of the switch.



7 Remove the remaining wires by unscrewing fasteners. Keep the fasteners for re-installation.



8 Pull the switch and control handle apart.

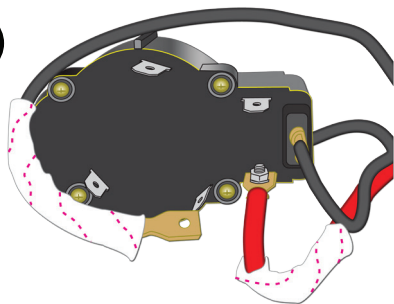
REASSEMBLY

9 Dispose of old switch.



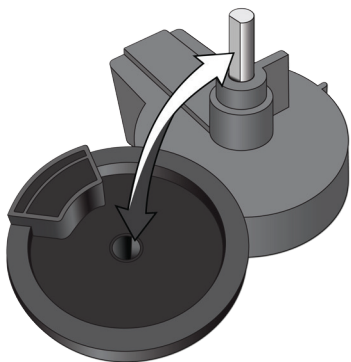
10

Install the wires with screws, starting with the red wire.



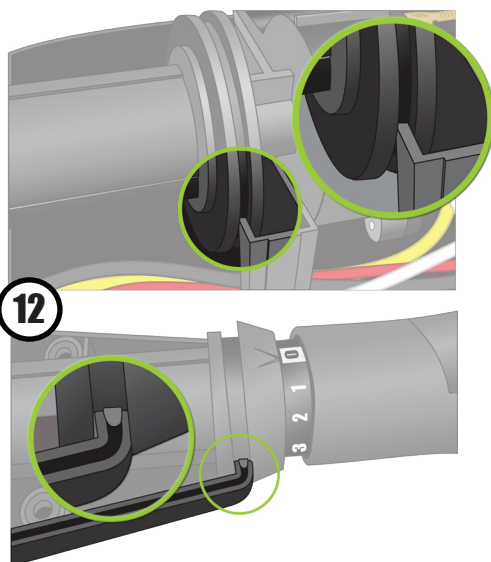
11

Reinstall the switch into the control handle.



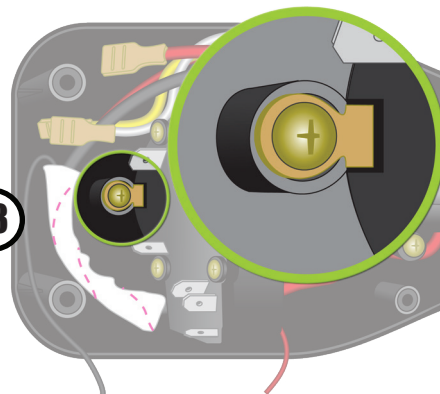
Place switch and control handle back into control box. Make sure the moldings match their designated fittings.

12



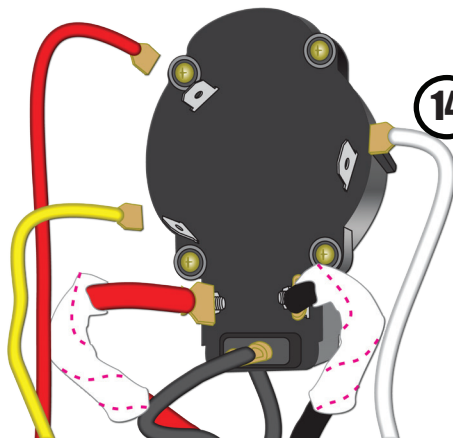
Reinstall screw and clip to bottom of the switch.

13



14

Reattach remaining wires to their respective connectors. Use pictures you took earlier.



Double check the fit of the switch is secure and wires are routed to not be pinched or kinked.

15



16

Reconnect LED wires, fit control box cover and install screws to secure it.

