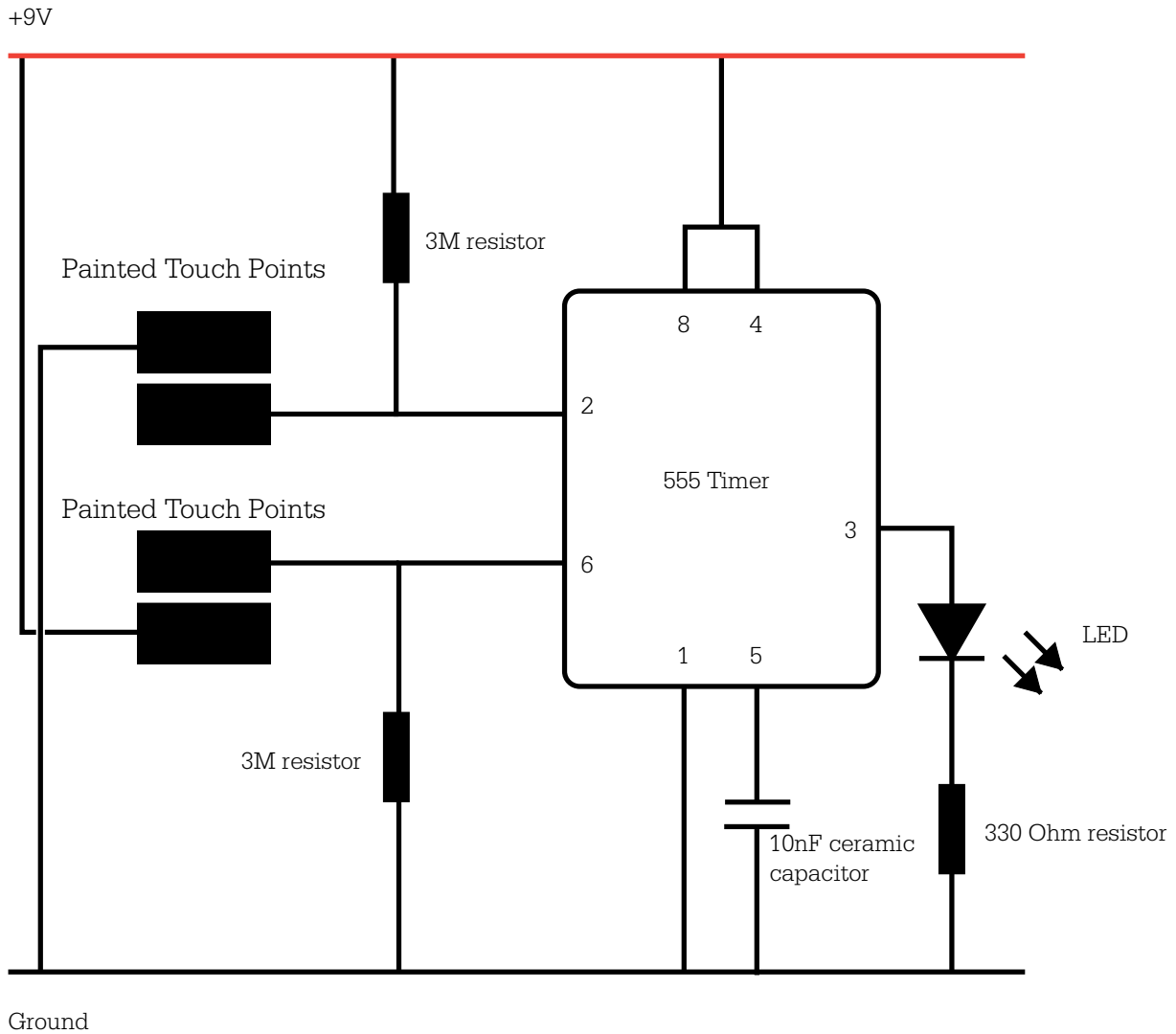


# 555 Touch Sensitive Circuit Diagram



## SHARE YOUR WORK

Share with the team:

#ElectricPaint

@bareconductive

[bareconductive.com](http://bareconductive.com)