



This manual is intended primarily for use by professional bicycle mechanics. Users who are not professionally trained for bicycle assembly should not attempt to install the components.

If any part of the information on the manual is unclear to you, do not proceed with the installation. Instead, contact your place of purchase or a local bicycle dealer for their assistance.

Make sure to read all instruction manuals included with the product.

All manuals can be viewed on our website <http://ingrid.bike>

MAINTENANCE

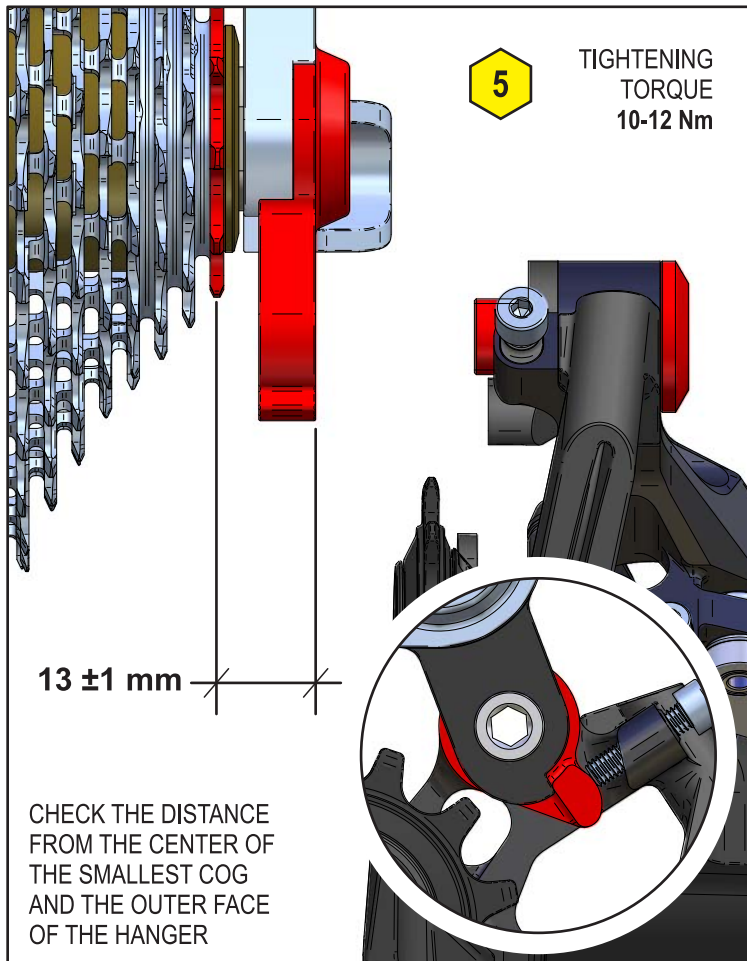
This product is not guaranteed against natural wear and deterioration from normal use and aging.

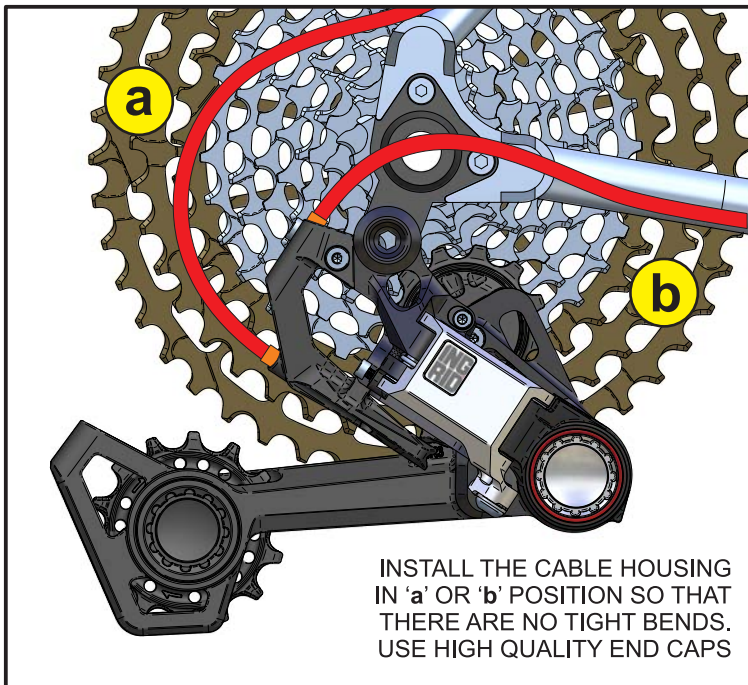
!!! PERIODICALLY CHECK THE TIGHTENINGS. INCORRECT TIGHTENING MAY CAUSE MALFUNCTIONING OR BREAKAGE

Rev. 2.0 2023/07

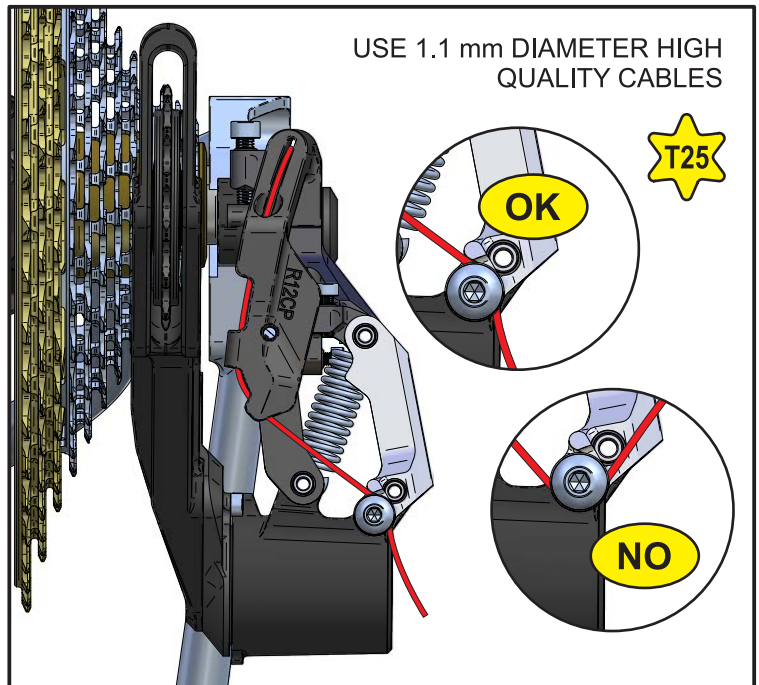
MOSCONI s.r.l. | via la Villa 28 zona artigianale Ghilardino 61034 Fossombrone, PU

DERAILLEUR INSTALLATION



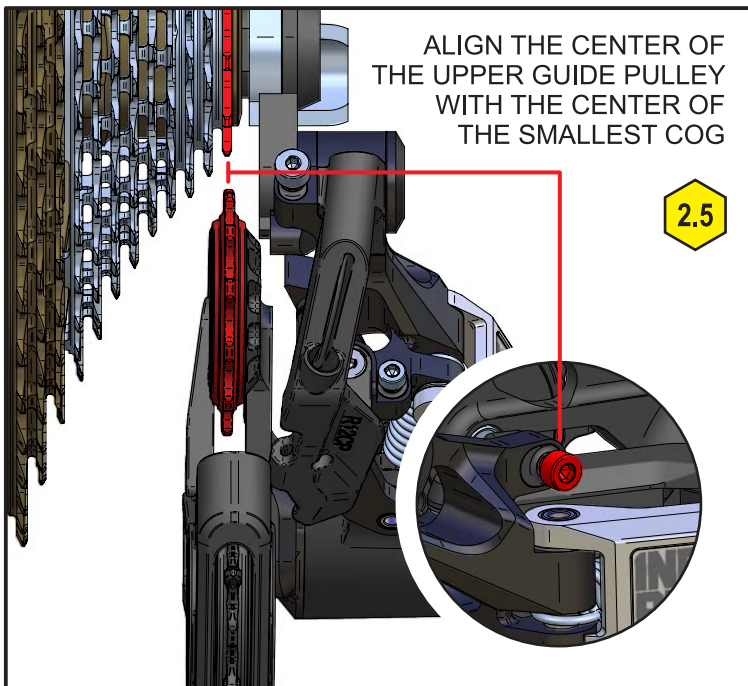


INSTALL THE CABLE HOUSING IN 'a' OR 'b' POSITION SO THAT THERE ARE NO TIGHT BENDS. USE HIGH QUALITY END CAPS



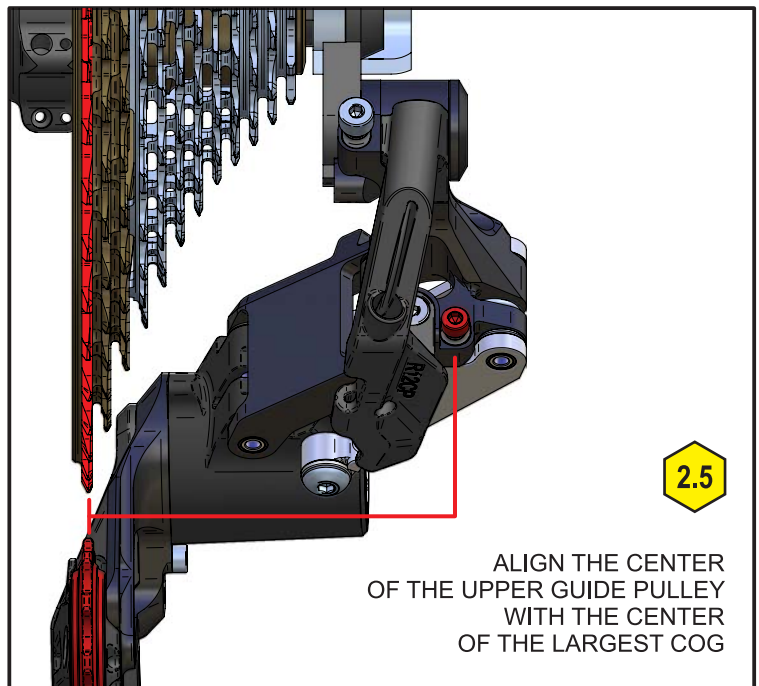
USE 1.1 mm DIAMETER HIGH QUALITY CABLES

T25



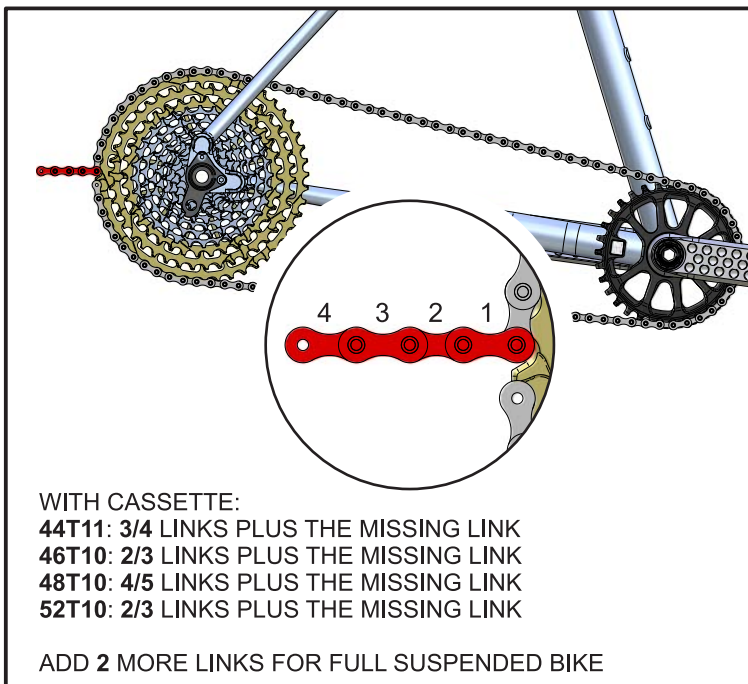
ALIGN THE CENTER OF THE UPPER GUIDE PULLEY WITH THE CENTER OF THE SMALLEST COG

2.5



ALIGN THE CENTER OF THE UPPER GUIDE PULLEY WITH THE CENTER OF THE LARGEST COG

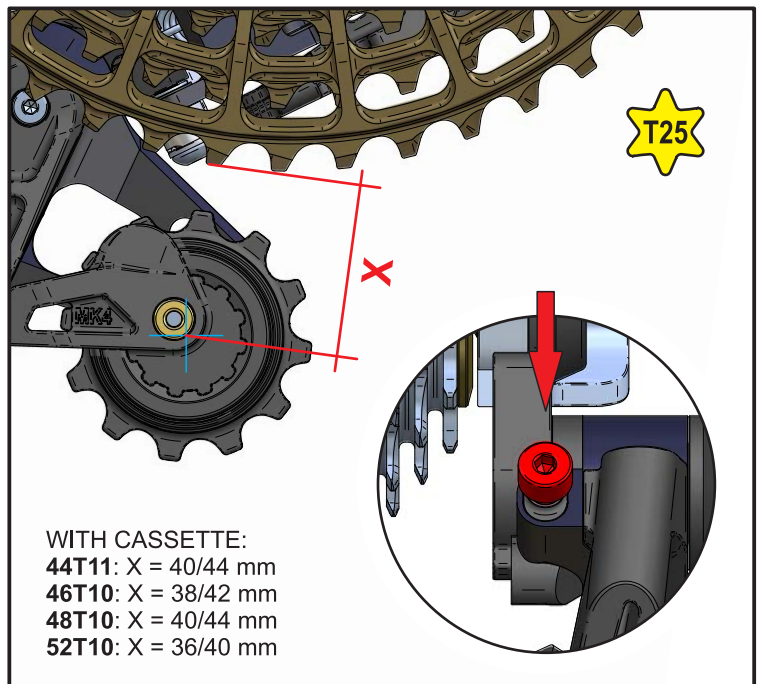
2.5



WITH CASSETTE:

- 44T11: 3/4 LINKS PLUS THE MISSING LINK
- 46T10: 2/3 LINKS PLUS THE MISSING LINK
- 48T10: 4/5 LINKS PLUS THE MISSING LINK
- 52T10: 2/3 LINKS PLUS THE MISSING LINK

ADD 2 MORE LINKS FOR FULL SUSPENDED BIKE



T25

WITH CASSETTE:

- 44T11: X = 40/44 mm
- 46T10: X = 38/42 mm
- 48T10: X = 40/44 mm
- 52T10: X = 36/40 mm