



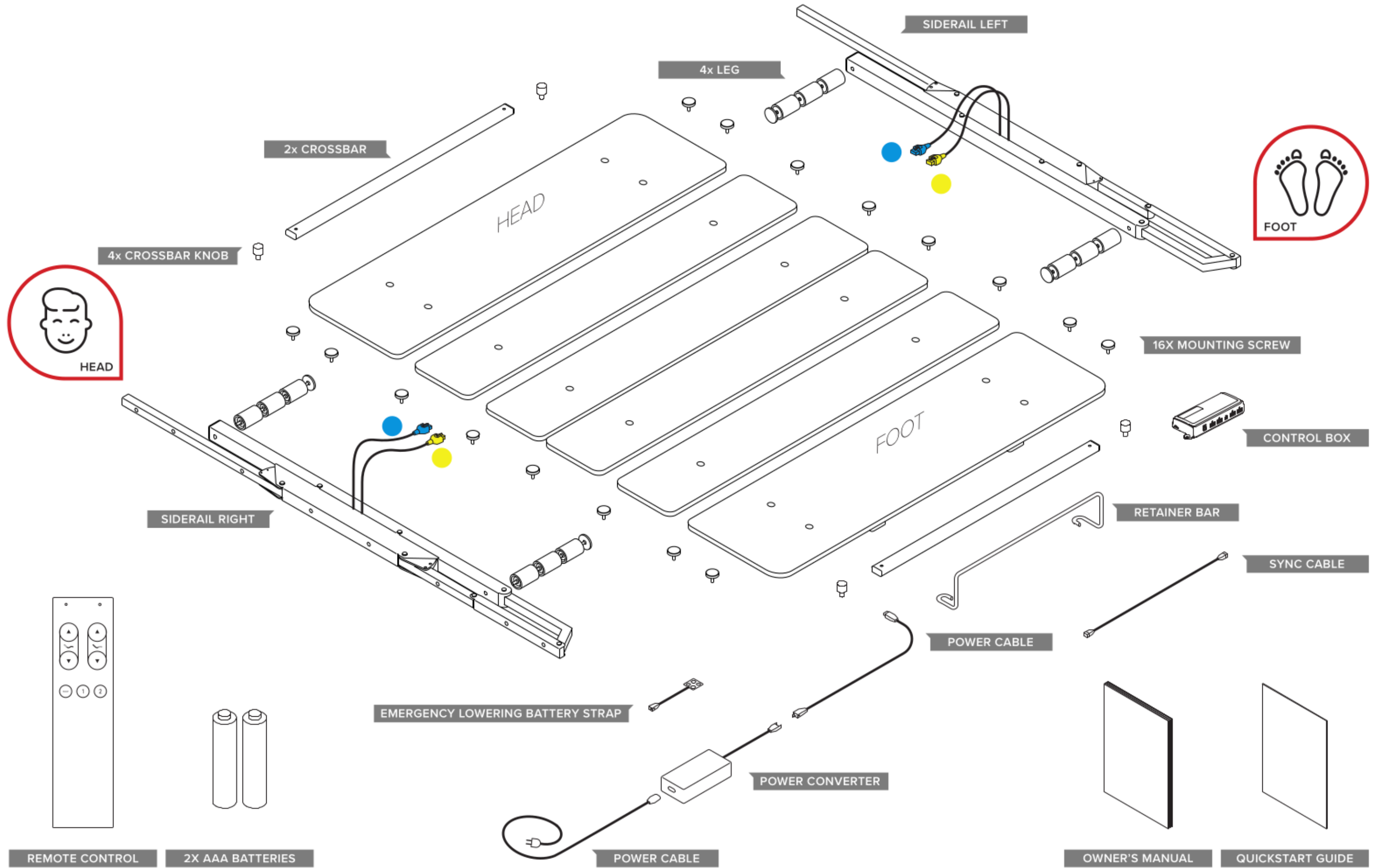
Dreams to Go

**Optimus**

Quick Start Guide



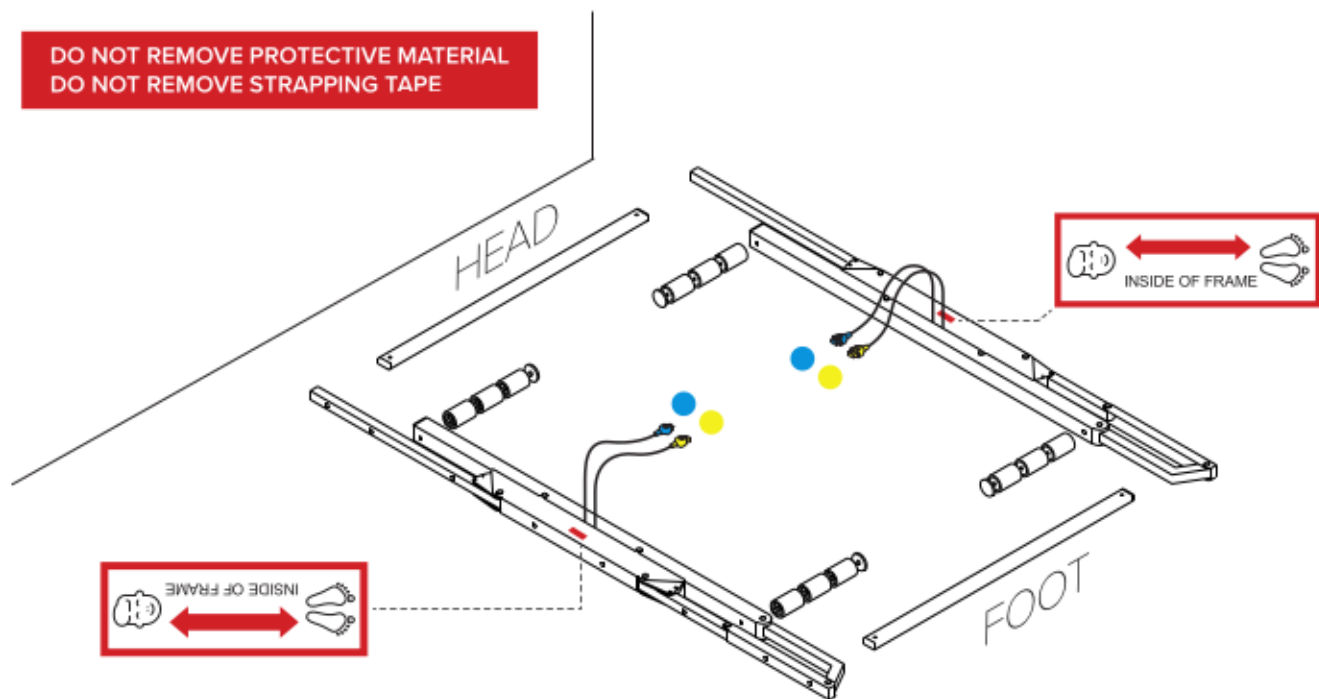
# COMPONENT overview



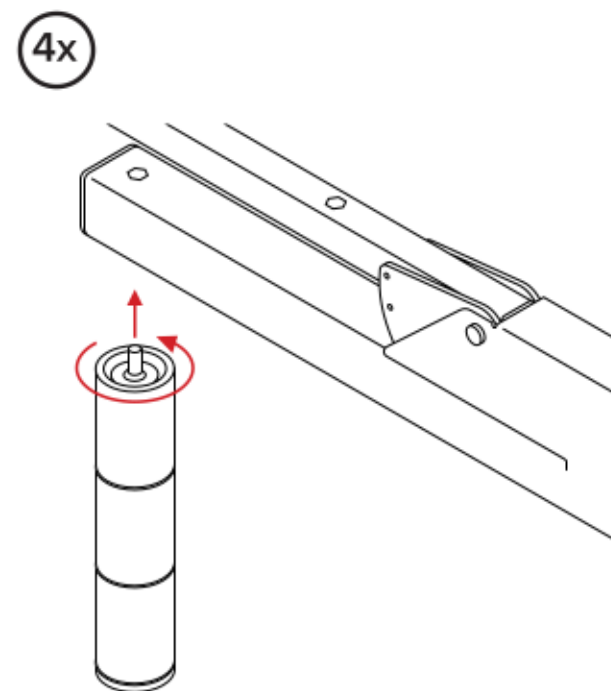
# ASSEMBLY

The Quick Start Guide is not a substitute for the product documentation. For your own safety, read the complete product documentation before assembling the Bed Frame and putting it into operation.

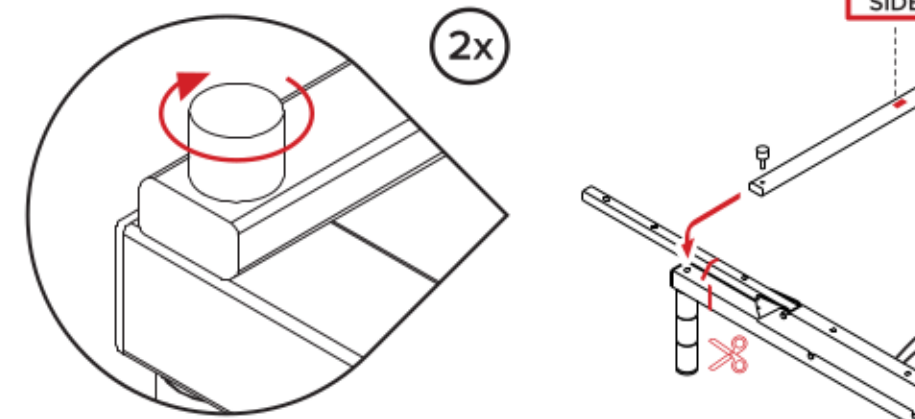
**01** LAY ALL FRAME ELEMENTS ON THE GROUND, USE LABELS ON SIDE RAILS FOR ORIENTATION.



**02** INSERT LEGS AND TURN UNTIL HAND TIGHT.

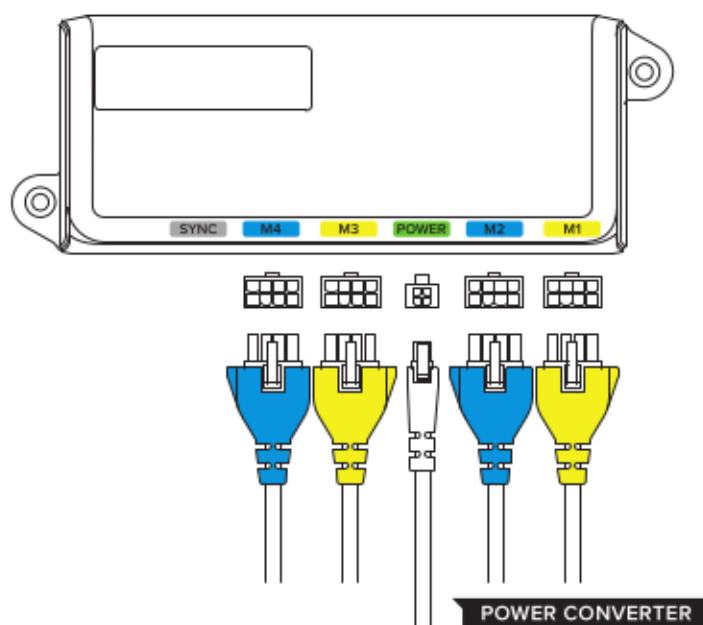


**03** CONNECT BOTH CROSSBARS TO THE SIDE RAILS. ENSURE THE HOLE AT THE END OF THE CROSSBAR. ENSURE THE CROSSBARS

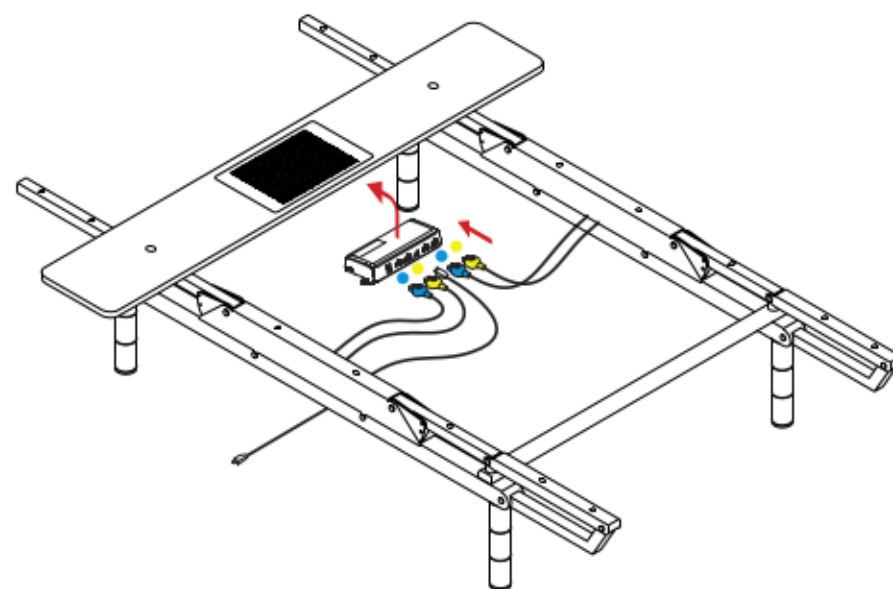


**04** CONNECT THE CABLES, ENSURE ALL PLUGS ARE ORIENTED CORRECTLY

DO NOT CONNECT THE SYSTEM TO THE MAINS BEFORE FINISHING ASSEMBLY

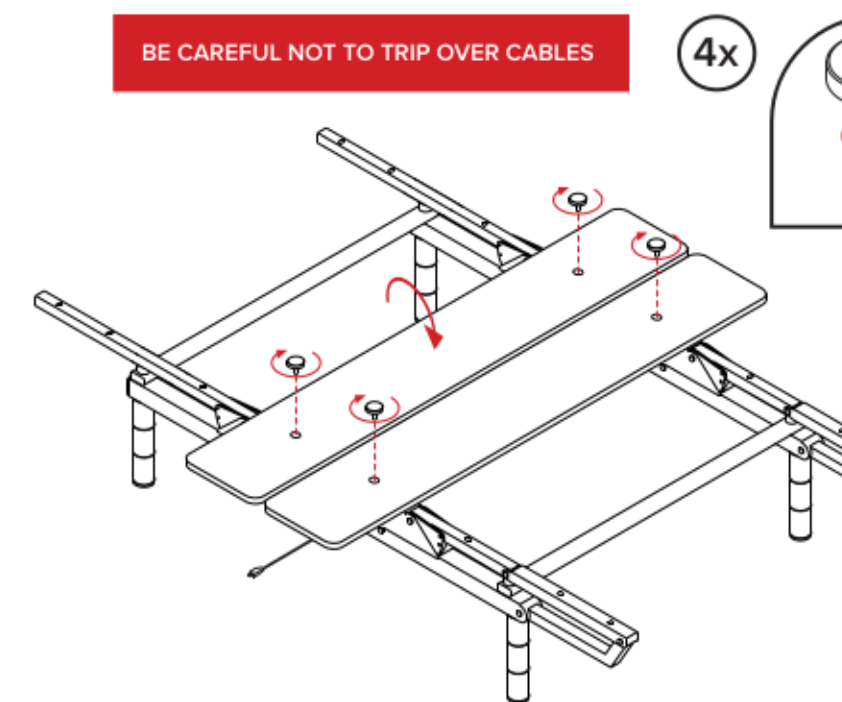


**05** LAY THE BASE PLATFORM WITH THE NET FACING UP AND PLACE THE CONTROL BOX INTO THE NET



**06** TURN THE PLATFORM, PLACE CENTRALLY AND TURN SCREWS UNTIL HAND TIGHT.

BE CAREFUL NOT TO TRIP OVER CABLES

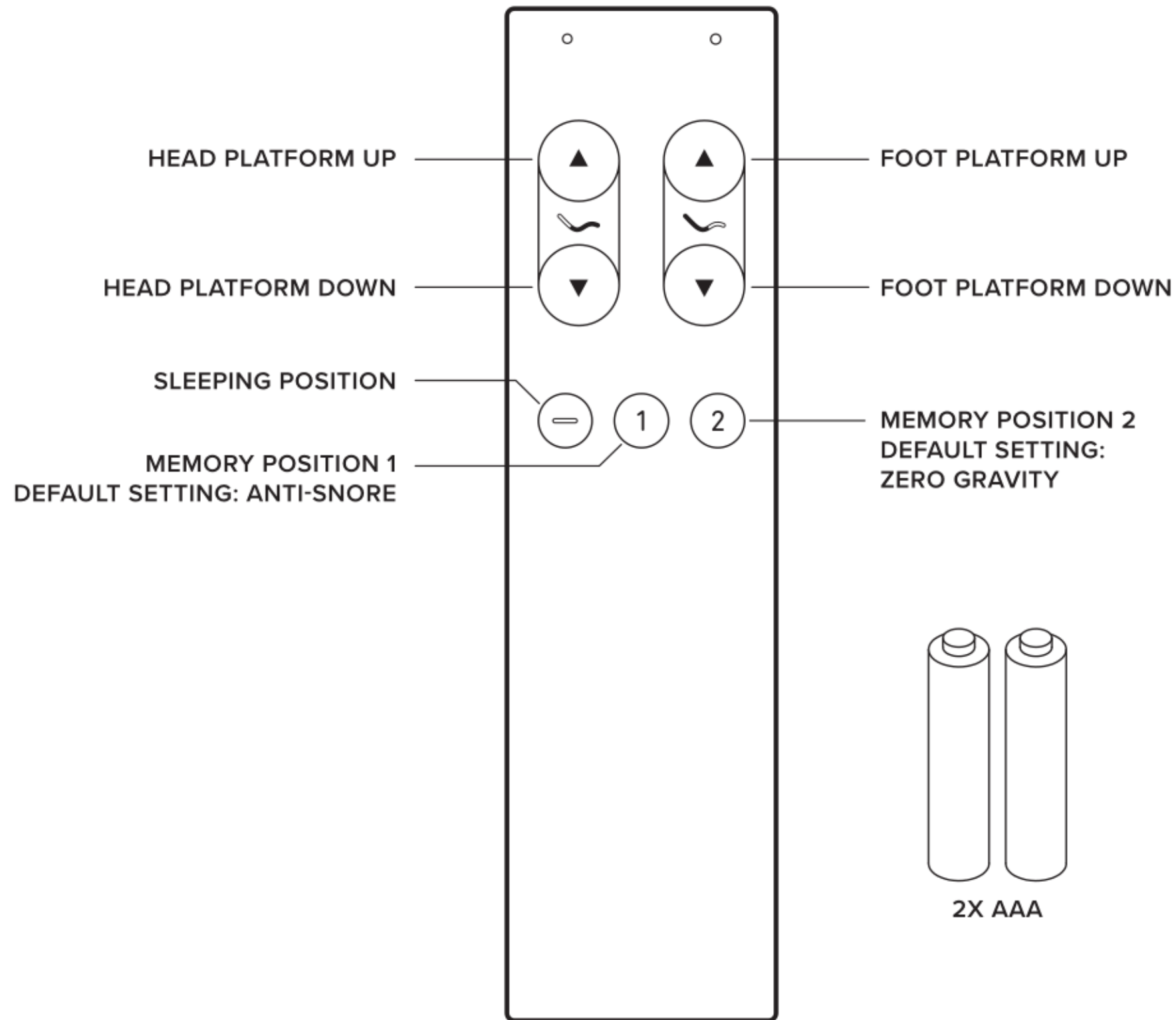


**08** ENSURE HEAD AND FOOT PLATFORMS ARE ORIENTED CORRECTLY. TURN SCREWS UNTIL HAND TIGHT.

**09** PUSH RETAINER BAR TO CLICK INTO PLACE AND CONNECT POWER CABLES TO POWER CONVERTER

**10** BEFORE USING YOUR AD FOR THE FIRST TIME:

# REMOTE control



FOR FURTHER DETAILS  
READ THE OWNER'S MANUAL.